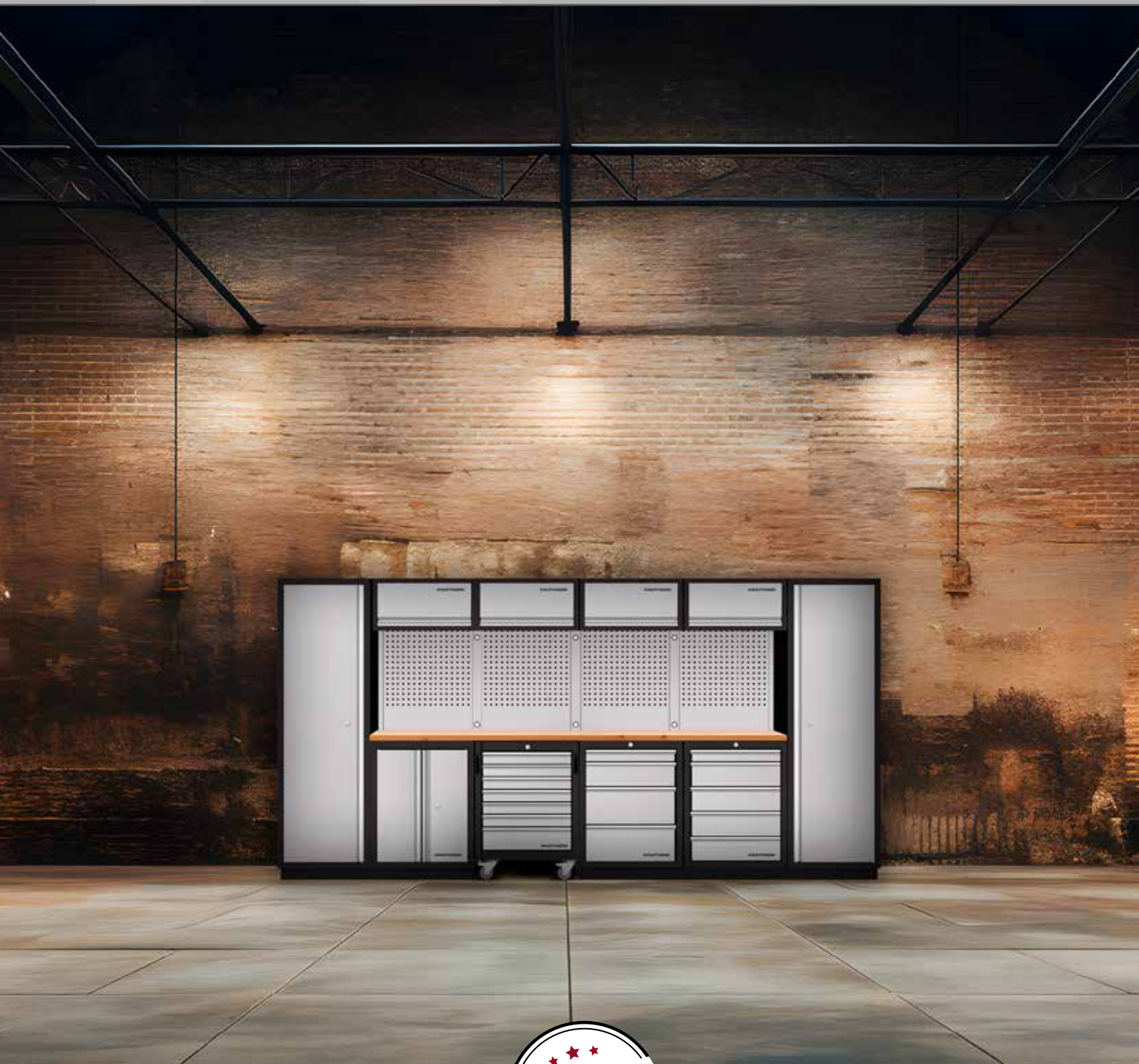


KRAFTWERK®

FAVORITE TOOLS SINCE 1979

Modular Workshop Equipment System 2024

Valid from 01.03.2024 to 31.01.2025





KRAFTWERK is a **Swiss company** that manufactures high-quality hand tools, workshop carts, and workshop equipment. Since 1979, this family-owned business has been successful in attractive segments such as automotive, agriculture, construction, and industry, as well as hobby craftsmanship.

The **Mobilo workshop equipment from Kraftwerk offers a high-quality solution that meets the individual needs** of our customers in every aspect. Whether you're a hobbyist or a professional craftsman, with the Mobilo workshop, you have the opportunity to optimize your work environment and work efficiently.

Our Mobilo workshop equipment is a **modular system** that can be assembled according to your requirements. From the depth of workbenches to the material, module combinations, and inserts – you have full control.

Our **online 3D web configurator** allows you to easily plan your desired workshop from home or at the dealer. With this interactive tool, you can visualize and create your preferred workshop.

Through **innovative and sustainable products, KRAFTWERK aims to provide the best solution for every requirement** and secure its success in the long term. The corporate values of KRAFTWERK place great emphasis on partnerships and customer satisfaction. The company strives to develop tools that become every craftsman's favorite.

The company will continue to **develop and produce innovative solutions** to further expand its position in the tool industry.

Welcome to Mobilio Deep The innovative solution for your workshop!



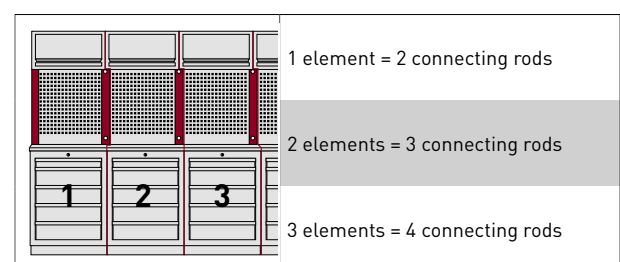
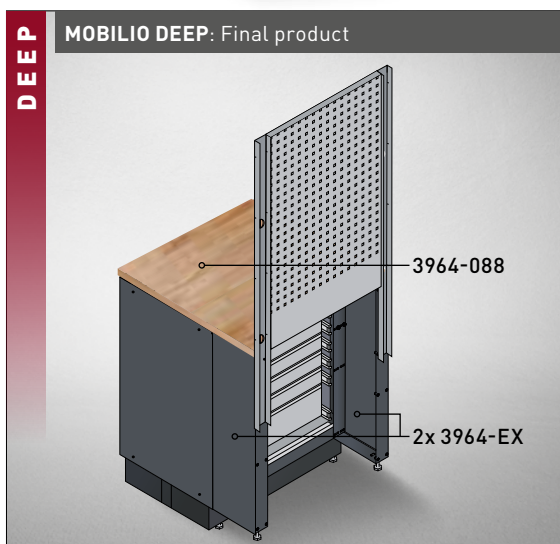
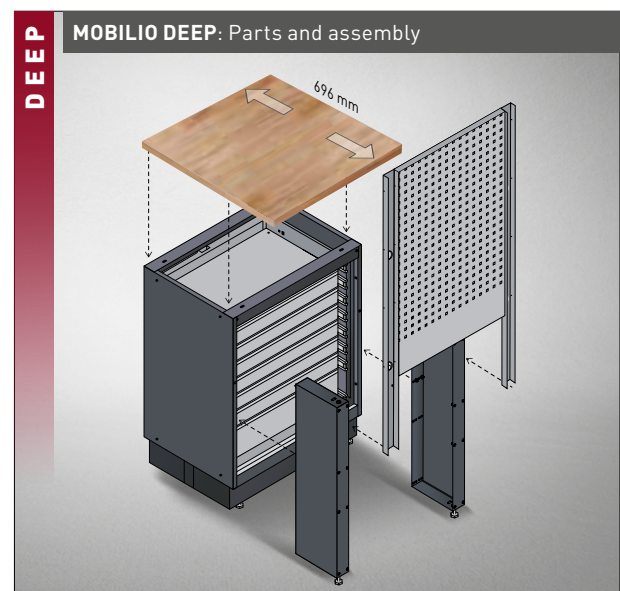
Kraftwerk proudly presents **the latest development/expansion**, available since the end of 2023: **deep work surfaces** for a more personalized/flexible Mobilio workshop.

These new work surfaces, made of high-quality beech wood, provide the user with **the decisive advantage of a deeper workspace**.

With **dimensions** of H 2000 x W x **D 696 mm**, they create a **spacious and comfortable working environment**.

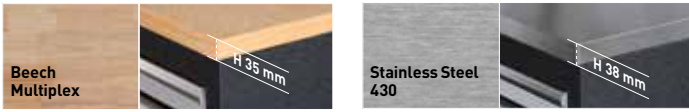
The easy assembly is effortlessly done in combination with standard base cabinets through the use of extension brackets.

Discover the **various combination possibilities** presented in our brochure and **optimize your workflows** with Mobilio Deep!



Configured Elements I empty

Combinations also available with deep worktops



+ H 2000 x W 1960 x D 488 mm
+ H 2000 x W 1960 x D 721 mm - **NEW**

Art.	Worktop	Depth	Price €
3964A	Beech Multiplex	463 mm	1.469,- 2.370,-
3964AIX	Stainless Steel 430	463 mm	1.559,- 2.510,-
NEW 3964A-EX	Beech Multiplex	696 mm	1.990,- 2.690,-



+ H 2000 x W 2640 x D 488 mm
+ H 2000 x W 2640 x D 721 mm - **NEW**

Art.	Worktop	Depth	Price €
3964B	Beech Multiplex	463 mm	2.019,- 3.260,-
3964BIX	Stainless Steel 430	463 mm	2.119,- 3.390,-
NEW 3964B-EX	Beech Multiplex	696 mm	2.690,- 3.690,-

Art.	Worktop	Depth	Price €
3964K-854S	Beech Multiplex	463 mm	1.749,- 2.880,-
3964K-854SIX	Stainless Steel 430	463 mm	1.839,- 2.980,-
NEW 3964K-854S-EX	Beech Multiplex	696 mm	2.390,- 3.490,-



+ H 910 x W 2720 x D 458 mm
+ H 910 x W 2720 x D 721 mm - **NEW**



+ H 2000 x W 2955 x D 488 mm
+ H 2000 x W 2955 x D 721 mm - **NEW**

Art.	Worktop	Depth	Price €
3964D	Beech Multiplex	463 mm	2.359,- 3.710,-
3964DIX	Stainless Steel 430	463 mm	2.449,- 3.830,-
NEW 3964D-EX	Beech Multiplex	696 mm	3.090,- 4.100,-



+ H 2000 x W 2955 x D 488 mm
+ H 2000 x W 2955 x D 721 mm - **NEW**

Art.	Worktop	Depth	Price €
3964G	Beech Multiplex	463 mm	2.209,- 3.390,-
3964GIX	Stainless Steel 430	463 mm	2.299,- 3.490,-
NEW 3964G-EX	Beech Multiplex	696 mm	2.890,- 3.790,-



Art.	Worktop	Depth	Price €	
3964C	Beech Multiplex	463 mm	2.949,-	4.980,-
3964CIX	Stainless Steel 430	463 mm	3.049,-	5.120,-
NEW 3964C-EX	Beech Multiplex	696 mm	3.890,-	5.490,-

+ H 2000 x B 3920 x T 488 mm
 + H 2000 x B 3920 x T 721 mm - **NEW**



Art.	Worktop	Depth	Price €	
3964K-HS745H-K4	Beech Multiplex	463 mm	2.759,-	5.760,-
3964K-HS745H-K4IX	Stainless Steel 430	463 mm	2.909,-	5.910,-
NEW 3964K-HS745H-K4-EX	Beech Multiplex	696 mm	3.490,-	6.090,-

+ H 2000 x B 3920 x T 488 mm
 + H 2000 x B 3920 x T 721 mm - **NEW**



Art.	Worktop	Depth	Price €	
3964F	Beech Multiplex	463 mm	3.049,-	5.000,-
3964FIX	Stainless Steel 430	463 mm	3.279,-	5.120,-
NEW 3964F-EX	Beech Multiplex	696 mm	3.990,-	5.490,-

+ H 2000 x B 3920 x T 488 mm
 + H 2000 x B 3920 x T 721 mm - **NEW**

Configurated Elements I empty



+ H 910 x B 1360 x T 463 mm

Art.	Worktop	Thickness	Price €
3964K-S500	Beech Multiplex	35 mm	789,- / 1.330,-
3964K-S500IX	Stainless Steel 430	38 mm	859,- / 1.410,-



+ H 910 x B 1360 x T 463 mm

Art.	Worktop	Thickness	Price €
3964K-940	Beech Multiplex	35 mm	919,- / 1.580,-
3964K-940IX	Stainless Steel 430	38 mm	999,- / 1.670,-



+ H 2000 x B 1360 x T 488 mm

Art.	Worktop	Thickness	Price €
3964K-S5-W	Beech Multiplex	35 mm	969,- / 1.590,-
3964K-S5-WIX	Stainless Steel 430	38 mm	1.039,- / 1.680,-



+ H 2000 x B 1360 x T 488 mm

Art.	Worktop	Thickness	Price €
3964K-9S-K2	Beech Multiplex	35 mm	1.159,- / 2.060,-
3964K-9S-K2IX	Stainless Steel 430	38 mm	1.189,- / 2.140,-



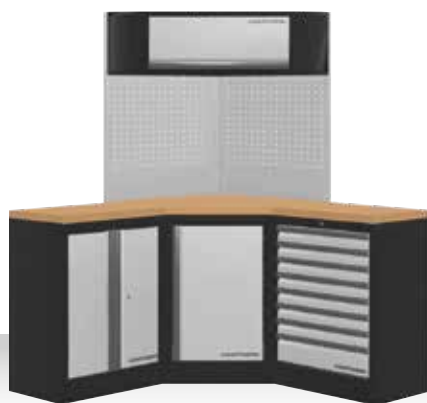
+ H 2000 x B 1360 x T 488 mm

Art.	Worktop	Thickness	Price €
3964K-95K2	Beech Multiplex	35 mm	1.249,- / 2.290,-
3964K-95K2IX	Stainless Steel 430	38 mm	1.339,- / 2.370,-



+ H 2000 x B1 894 x B2 894 x T 488 mm

Art.	Worktop	Thickness	Price €
3964K-ECK	Beech Multiplex	35 mm	999,- / 1.730,-
3964K-ECKIX	Stainless Steel 430	38 mm	1.059,- / 1.820,-



+ H 2000 x B1 1574 x B2 1574 x T 488 mm

Art.	Worktop	Thickness	Price €	
3964R	Beech Multiplex	35 mm	2.090,-	2.790,-
3964RIX	Stainless Steel 430	38 mm	2.190,-	2.950,-



+ H 910 x B 2040 x T 463 mm

Art.	Worktop	Thickness	Price €	
3964K-905	Beech Multiplex	35 mm	1.059,-	1.700,-
3964K-905IX	Stainless Steel 430	38 mm	1.189,-	1.800,-



+ H 910 x B 2040 x T 463 mm

Art.	Worktop	Thickness	Price €	
3964K-4R8	Beech Multiplex	35 mm	1.529,-	2.350,-
3964K-4R8IX	Stainless Steel 430	38 mm	1.599,-	2.430,-



+ H 2000 x B 2040 x T 488 mm

Art.	Worktop	Thickness	Price €	
3964K-805-W	Beech Multiplex	35 mm	1.099,-	1.820,-
3964K-805-WIX	Stainless Steel 430	38 mm	1.189,-	1.910,-



+ H 2000 x B 2040 x T 488 mm

Art.	Worktop	Thickness	Price €	
3964K-855-W	Beech Multiplex	35 mm	1.349,-	2.500,-
3964K-855-WIX	Stainless Steel 430	38 mm	1.429,-	2.590,-



+ H 2000 x B 2040 x T 488 mm

Art.	Worktop	Thickness	Price €	
3964K-855-K3	Beech Multiplex	35 mm	1.639,-	3.100,-
3964K-855-K3IX	Stainless Steel 430	38 mm	1.719,-	3.200,-

Configurated Elements I empty



+ H 910 x B 2040 x T 463 mm

Art.	Worktop	Thickness	Price €	
3964K-45S0	Beech Multiplex	35 mm	1.189,-	2.040,-
3964K-45S0IX	Stainless Steel 430	38 mm	1.279,-	2.140,-



+ H 2000 x B 2275 x T 463 mm

Art.	Worktop	Thickness	Price €	
3964K-H25S	Beech Multiplex	35 mm	1.429,-	2.310,-
3964K-H25SIX	Stainless Steel 430	38 mm	1.529,-	2.370,-



+ H 2000 x B 2640 x T 488 mm

Art.	Worktop	Thick.	Price €	
3964K-H5R4-K1W	Beech Multiplex	35 mm	2.119,-	3.690,-
3964K-H5R4-K1WIX	Stainless Steel 430	38 mm	2.209,-	3.790,-



+ H 2000 x B 2640 x T 463 mm

Art.	Worktop	Thickness	Price €	
3964K-H504	Beech Multiplex	35 mm	1.429,-	2.340,-
3964K-H504IX	Stainless Steel 430	38 mm	1.469,-	2.420,-



+ H 2000 x B 2720 x T 488 mm

Art.	Worktop	Thickness	Price €	
3964K-S854-K4	Beech Multiplex	35 mm	2.119,-	4.190,-
3964K-S854-K4IX	Stainless Steel 430	38 mm	2.209,-	4.330,-



+ H 2000 x B 3320 x T 488 mm

Art.	Worktop	Thick.	Price €	
3964K-H5049-K4	Beech Multiplex	35 mm	2.389,-	4.560,-
3964K-H5049-K4IX	Stainless Steel 430	38 mm	2.459,-	4.710,-



+ H 2000 x B 3635 x T 488 mm

Art.	Worktop	Thickness	Price €	
3964H	Beech Multiplex	35 mm	2.579,-	3.860,-
3964HIX	Stainless Steel 430	38 mm	2.669,-	3.930,-



+ H 2000 x B 4235 x T 488 mm

Art.	Worktop	Thick.	Price €	
3964K-H284S5H-K4	Beech Multiplex	35 mm	3.279,-	5.990,-
3964K-H284S5H-K4IX	Stainless Steel 430	38 mm	3.369,-	6.140,-



+ H 2000 x B1 3849 x B2 2824 x T 488 mm

Art.	Worktop	Thickness	Price €	
3964E	Buche Multiplex	35 mm	4.609,-	7.360,-
3964EIX	Edelstahl 430	38 mm	4.839,-	7.560,-



+ H 2000 x B1 2254 x B2 1574 x T 488 mm

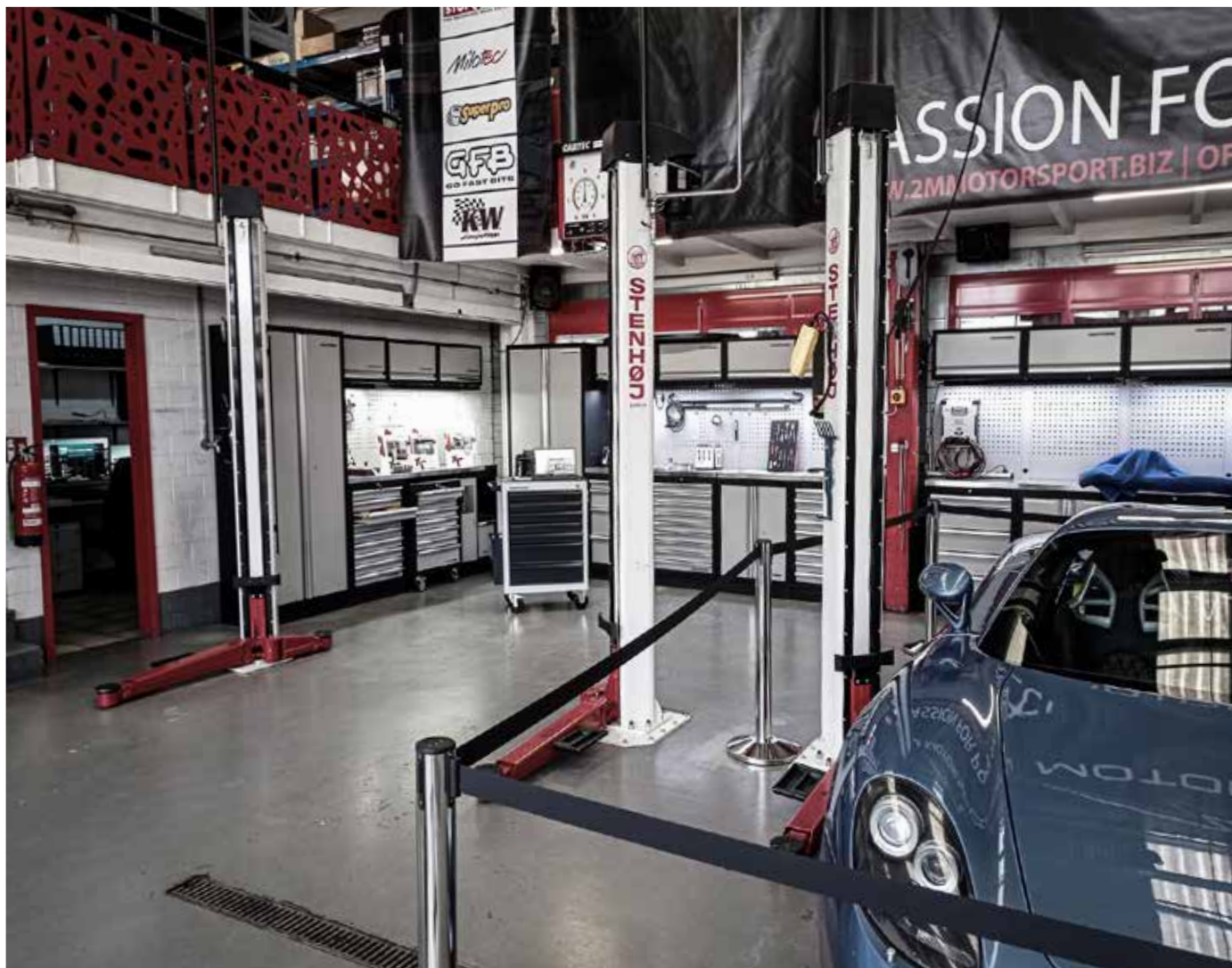
Art.	Worktop	Thickness	Price €	
3964N	Beech Multiplex	35 mm	2.669,-	4.850,-
3964NIX	Stainless Steel 430	38 mm	2.759,-	5.060,-



+ H 2000 x B 5910 x T 488 mm

Art.	Worktop	Thickness	Price €	
3964Q	Beech Multiplex	35 mm	4.419,-	7.900,-
3964QIX	Stainless Steel 430	38 mm	4.539,-	8.090,-

Configurated Elements I empty

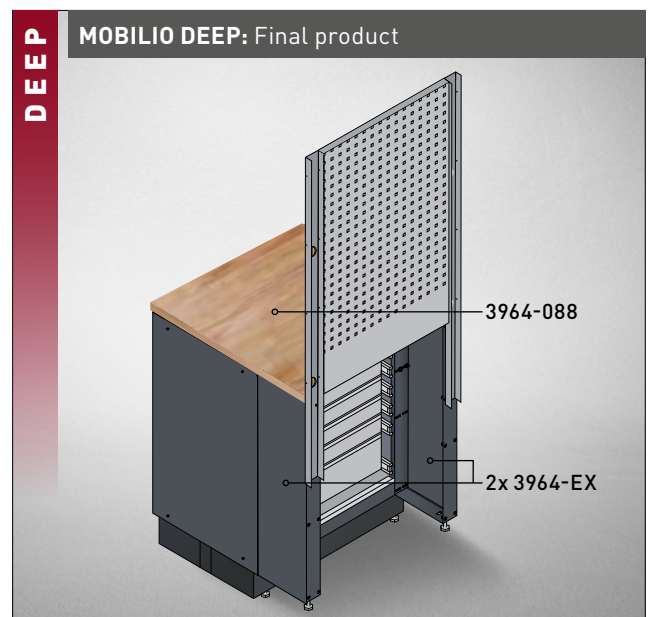
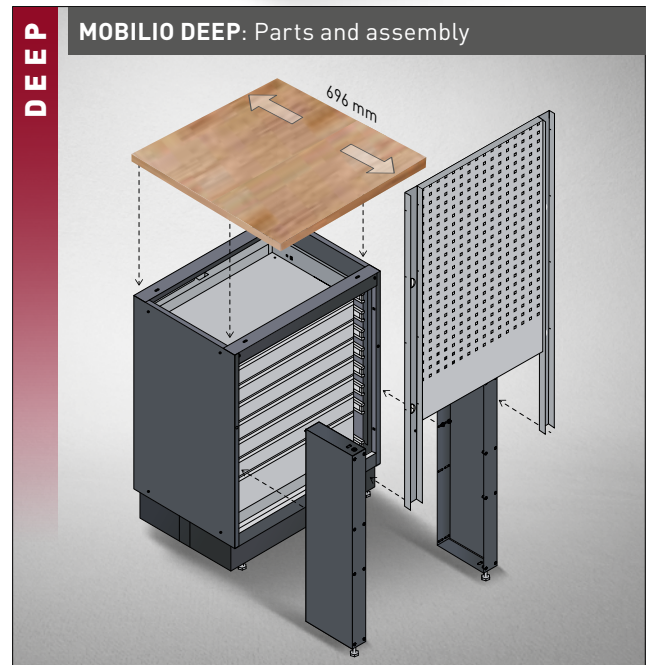
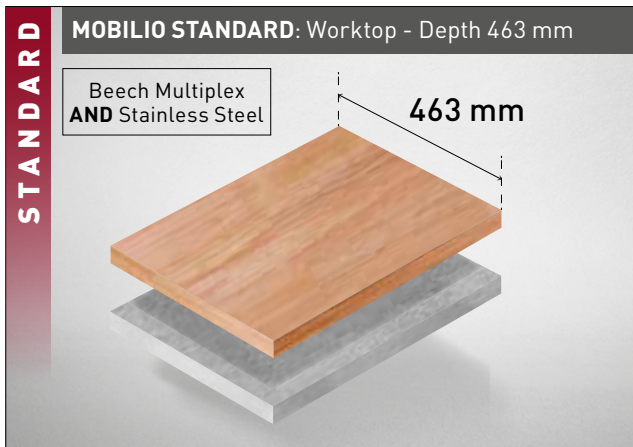


+ H 2000 x B 3635 x T 488 mm

Art.	Worktop	Thickness	Price €
3964DIX-SANA	Beech Multiplex	35 mm	3.499,- 5.470,-

Worktop extension

To increase the depth of the worktop, all components are optionally available to extend our standard base units and thus increase variability.





BEECH MULTIPLEX

- Made of several layers of peeled veneers (connected with an adhesive)
- Veneers are laid crosswise
- Material: beech wood
- High strength & dimensional stability
- Natural look

STAINLESS STEEL 430

- Density: 7.70 g/cm³
- Ferristic steel
- Chromium content of 17%
- Good corrosion resistance
- Good polishability
- Good resistance to water, water vapour, humidity
- Good resistance to weak acids and alkalis

WORKTOPS DEPTH 463 MM

Art.	Material		± mm (H/B/T)	(Delivery without furniture element)	Euro	Δ kg
3964-08		For 1 Element	35 × 680 × 463		118,-	8.53
3964-09		For 2 Elements	35 × 1361 × 463		221,-	17.18
3964-18		For 3 Elements	35 × 2050 × 463		292,-	24
3964-16-99		For angular Element Art. 3964-16	35 × 864 × 463		221,-	19
3964-20		For 1 Element	38 × 680 × 463		169,-	10.5
3964-21		For 2 Elements	38 × 1361 × 463		293,-	21
3964-22		For 3 Elements	38 × 2041 × 463		387,-	31.8
3964-23		For angular Element Art. 3964-16	38 × 865 × 463		310,-	17.8

WORKTOPS DEPTH 696 MM

Art.	Material		± mm (H/B/T)	(Delivery without furniture element)	Euro	Δ kg
3964-088		For 1 Element	35 × 680 × 696		149,-	8.53
3964-099		For 2 Elements	35 × 1361 × 696		249,-	17.18
3964-188		For 3 Elements	35 × 2050 × 696		349,-	24
3964-16-999		For angular Element Art. 3964-16	35 × 864 × 696		279,-	19

Inlays

Art. 4903-01

PRO LINE EVA Socket Set Insert 1/4", 46 pcs.

- 1/4" Ratchet
- 1/4" Sockets: 3.5 - 4 - 4.5 - 5 - 5.5 - 6 - 7 - 8 - 9 - 10 - 11 - 12 - 13 - 14 mm
- 1/4" Slotted Screwdriver Bit Sockets: 4 - 5.5 - 6.5 mm
- 1/4" PH Screwdriver Bit Sockets: PH1 - PH2 - PH3
- 1/4" PZ Bit Sockets: PZ1 - PZ2 - PZ3
- 1/4" TX Screwdriver Bit Sockets: T8 - T1 - T15 - T2 - T25 - T27 - T3 - T4
- 1/4" Hexagon Screwdriver Bit Sockets 3 - 4 - 5 - 6 - 7 - 8 mm
- 1/4" Bit Adapter
- 1/4" Universal Joint
- Extensions, 5, 10 mm
- 1/4" Flexible Extension: 15 mm
- Sliding Sliding Handle Adapter
- 1/4" Drive Handle
- 1/4" Bit Holder

€ 146,-



Art. 4903-02

PRO LINE EVA Socket Set Insert 3/8", 32 pcs.

- 3/8" Ratchet
- Sockets: 8 - 9 - 10 - 11 - 12 - 13 - 14 - 15 - 16 - 17 - 18 - 19 - 21 - 22 - 24 mm
- 3/8" Deep Sockets: 10 - 11 - 12 - 13 - 14 - 15 - 17 - 19 mm
- 3/8" Spark Plug Sockets, 16 - 21 mm
- 3/8" Universal Joint
- Extensions, 75, 25 mm
- Sliding Handle Adapter, 1/2" to 3/8"
- Adapter, 3/8" to 1/4"
- Bit holder, 1/4" to 3/8"

€ 168,-



Art. 4903-03

PRO LINE Socket Set Insert, 1/2", 22 pcs.

- 1/2" Ratchet
- Sockets: 10 - 11 - 12 - 13 - 14 - 15 - 16 - 17 - 18 - 19 - 21 - 22 - 24 - 27 - 3 - 32 - 34 mm
- Universal Universal Joint extensions, 125 - 25 mm
- Extensions, 125 - 25 mm
- Sliding Handle Adapter, 3/8" to 1/2"

€ 189,-



Art. 4903-04

PRO LINE EVA Socket tray 1/2", 19 pcs.

- Sockets, 55 mm, hex 5 - 6 - 7 - 8 - 1 mm
- Sockets, 55 mm, spline M5 - M6 - M8 - M1 - M12
- Sockets, 1 mm, hex 6 - 7 - 8 - 1 - 12 mm
- Sockets, 1 mm, spline M5 - M6 - M8 - M1

€ 99,-

~~€ 128,-~~



Inlays

Art. 4903-05

PRO LINE EVA Socket and Socket tray 1/2", 19 pcs.

- Sockets, E-TX E1 - E12 - E14 - E16 - E18 - E2 - E22 - E24
- Sockets, 55 mm, TX T3 - T4 - T45 - T5 - T55 - T6
- Sockets, 1 mm, TX T3 - T4 - T45 - T5 - T55

€ 99,-

€ 129,-



Art. 4903-06

PRO LINE EVA Combination Spanner Insert, 12 pcs.

- Size: 8 - 9 - 10 - 11 - 12 - 13 - 14 - 15 - 16 - 17 - 18 - 19 mm
- DIN 3113 Form A, ISO 3318, ISO 7738
- Chrome Alloy Steel

€ 98,-



Art. 4903-07

PRO LINE Combination Spanner Insert, 8 pcs.

- Size: 5.5 - 6 - 7 - 20 - 21 - 22 - 23 - 24 mm
- DIN 3113 Form A, ISO 3318, ISO 7738
- Chrome Alloy Steel

€ 118,-



Art. 4903-08

PRO LINE Double Ended Ring Spanner Insert, 8 pcs.

- Size: 6 x 7 - 8 x 9 - 10 x 11 - 12 x 13 - 14 x 15 - 16 x 17 - 18 x 19 - 2 x 22 mm
- Offset 70° on both sides
- DIN 838, ISO 3318, ISO 185, ISO 114
- Chrome Alloy Steel

€ 100,-



Inlays

Art. 4903-09

PRO LINE EVA Ergokraft Screwdriver Insert, 9 pcs.

- Slotted Screwdrivers .8 x 4 - 1. x 5 - 1.1 x 6 - 1.2 x 8 mm
- PH Screwdriver PH1 - PH2
- Stubby Slotted Screwdriver 1.1 x 6 mm
- Stubby PH Screwdriver PH2
- Voltage tester, 12 V DC
- With ergonomic handle

€ 82,-



Art. 4903-12

PRO LINE EVA Circlip Pliers Insert, 4 pcs.

- Circlip Pliers: A2, A21, J2, J21
- For Circlips from Ø 19 - 60 mm

€ 98,-



Art. 4903-13

PRO LINE EVA PRO LINE Striking Tool Insert, 11 pcs.

- German Engineer Hammer, hickory: 500 g
- Soft Face Hammer, hickory, 35 mm PU - nylon inserts: 360 g
- Flat Chisel, 18 - 22 mm
- Pin Punches, 2 - 3 - 4 - 5 - 6 - 8 mm
- Center Punch: No. 2

€ 142,-



Art. 4903-15

PRO LINE EVA HIGHTECH Pliers Insert, 4 pcs.

- Combination Plier: 180 mm / 7"
- Diagonal Cutter, 160 mm / 6.1/4"
- Flat Round Plier: 205 mm / 8"
- Water Pump Plier: 240 mm / 9.1/2"

€ 169,-



Inlays

Art. 4903-16

PRO LINE EVA Combination wrench tray Clickraft, 12 pcs.

- Ratcheting combination wrenches, 72 teeth, 8 - 9 - 10 - 11 - 12 - 13 - 14 - 15 - 16 - 17 - 18 mm
- Ratcheting combination wrench, 75 teeth, 19 mm
- Ratcheting angle 5°

€ 209,-
~~€ 245,-~~



Art. 4903-21

PRO LINE EVA Ballpoint T-screwdriver tray -Ergokraft, 7 pcs.

- Ball head T-handle screwdrivers, hex 3 - 4 - 5 - 6 - 7 - 8 - 10 mm

€ 69,90
~~€ 89,-~~



Art. 4903-22

PRO LINE T-Handle Wrenches Insert, 7 pcs.

- TX T-Handle Screwdriver: TX T10 - T15 - T20 - T25 - T27 - T30 - T40
- With ergonomic 2 component handle

€ 95,-



Inlays

Art. 4903-23

PRO LINE Cutting Tool Insert, 18 pcs.

- ERGOKRAFT Snap-Off Knife: 9 mm
- Replacement Blades: 9 mm
- ERGOKRAFT Snap-Off Knife: 18 mm
- Replacement Blades: 18 mm
- Professional Hacksaw: 300 mm

€ 66,-



Art. 4903-24

PRO LINE EVA Files tray Ergokraft, 11 pcs.

- Flat file, 320 mm
- Half round file, 320 mm
- Round file, 320 mm
- Square file, 320 mm
- Triangular file, 320 mm
- Needle file, flat - half round - round - square - triangular - knife

€ 69,90

~~€ 81,-~~



Art. 4903-25

PRO LINE Locking pliers/sheet metal shears insert, 4 pcs.

- ERGOKRAFT sheet metal shears, 250mm/ 10"
- Locking pliers 175 mm/ 7"
- Locking pliers 250 mm/ 10"
- Vise grip 150 mm/ 6"

€ 119,-



Art. 4903-27

PRO LINE L-Key Wrenches Insert, 29 pcs.

- L-Key Wrenches, 1.5 - 2 - 2.5 - 3 - 4 - 5 - 6 - 7 - 8 - 10 mm
- TORX® L-Key Wrenches, T10 - T15 - T20 - T25 - T27 - T30 - T40 - T45 - T50
- TORX® L-Key Wrenches with hole, TS10 - TS15 - TS20 - TS25 - TS27 - TS30 - TS40 - TS45 - TS50
- Adjustable Wrench, 0-30 mm, 250 mm / 10"

€ 144,-



Inlays

Art. 4903-28

PRO LINE EVA Plier/shear tray, 4 pcs.

- Pincers, 200 mm
- Cable stripper, 160 mm
- Cable stripper and crimping pliers Ergokraft
- Universal shears Ergokraft, 150 mm

€ 82,-
~~€ 96,-~~



Art. 4903-29

PRO LINE EVA Elbow milled open wrench tray, 13 pcs.

- Elbow milled open wrench, double-hex x hex
- 7 - 8 - 9 - 10 - 11 - 12 - 13 - 14 - 15 - 16 - 17 - 18 - 19 mm

€ 135,-
~~€ 153,-~~



Art. 4903-30

PRO LINE EVA Elbow milled open wrench tray, 4 pcs.

- Elbow milled open wrench, double-hex x hex, 20 - 21 - 22 - 24 mm

€ 92,-
~~€ 119,-~~



Art. 4903-31

PRO LINE EVA Elbow milled open wrench tray, 3 pcs.

- Elbow milled open wrench, double-hex x hex, 27 - 30 - 32 mm

€ 124,-
~~€ 158,-~~



Inlays

Art. 105.515.002

PRO LINE COMPLETO EVA Tool Assortment , 24 pcs.



Art.	Inlays		Price €	
105.515.002	4903-06	PRO LINE EVA Combination Spanner Insert, 12 pcs.	269,-	334,-
	4903-07	PRO LINE Combination Spanner Insert, 8 pcs.		
	4903-11	PRO LINE EVA Pliers tray Ergokraft, 4 pcs.		

Art. 105.515.003

PRO LINE COMPLETO EVA Tool Assortment , 40 pcs.



Art.	Inlays		Price €	
105.515.003	4903-13	PRO LINE EVA PRO LINE Striking Tool Insert, 11 pcs.	229,-	289,-
	4903-23	PRO LINE Cutting Tool Insert, 18 pcs.		
	4903-24	PRO LINE EVA Files tray Ergokraft, 11 pcs.		

Modular Workshop Elements | empty

To assemble according to your own needs. Free-standing construction, no fasteners necessary and therefore very flexible to set up. Each module can be ordered individually. Drawers with ball bearings in different heights, with central locking and individually lockable.

With our One-Key solution, it is possible to retrofit all locks with the same lock number so that only one key is needed.

Depending on the area of application, different worktop models can be selected depending on the application: Beech Multiplex/Wood | Stainless Steel 430.

Drawer dimensions from:

- 3964-04 (2C+1B+1A)
- 3964-05 (4B+1A)
- 3964-13 (9A)
- 3964-14 (7A+1B)
- 3964-15 (6A+1B)
- 3964-28 (1A+1C)

	L1 (mm)	L2 (mm)	L3 (mm)
A	560	404	58
B	560	404	138
C	560	404	207

Floor Cabinet, 2 doors,
1 shelf included

Art.	Dimension Weight	Price €
3964-03	H 910 x W 680 x D 458 mm ⚖ 29.4 kg	389,- / 439,-

Floor Cabinet,
4 ball-bearing drawers
with full extension

Art.	Dimension Weight	Price €
3964-04	H 910 x W 680 x D 458 mm ⚖ 46.7 kg	559,- / 630,-

Floor Cabinet,
5 ball-bearing drawers
with full extension

Art.	Dimension Weight	Price €
3964-05	H 910 x W 680 x D 458 mm ⚖ 49.3 kg	599,- / 674,-

Multifunction Floor Cabinet, with
waste bin and cleaning roll holder

Art.	Dimension Weight	Price €
3964-11	H 910 x W 680 x D 458 mm ⚖ 37 kg	479,- / 541,-

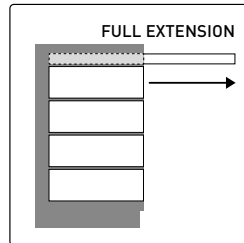
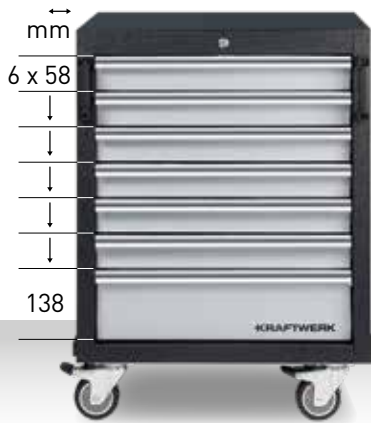
Floor Cabinet,
9 ball-bearing drawers
with full extension

Art.	Dimension Weight	Price €
3964-13	H 910 x W 680 x D 458 mm ⚖ 55 kg	649,- / 732,-

Floor Cabinet,
8 ball-bearing drawers
with full extension

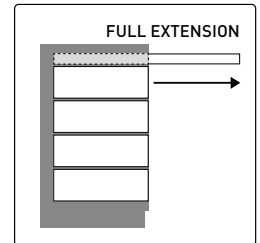
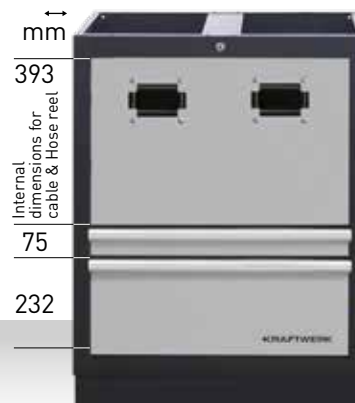
Art.	Dimension Weight	Price €
3964-14	H 910 x W 680 x D 458 mm ⚖ 52.5 kg	609,- / 687,-

Mobile Tool Cabinet,
7 ball-bearing drawers
with full extension



Art.	Dimension Weight	Price €
3964-15	H 646 x W 862 x D 458 mm ⚖ 51 kg	649,- / 732,-

Floor Cabinet, for cable and hose
reels, 2 ball-bearing drawers
with full extension



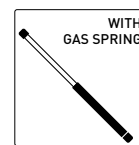
Art.	Dimension Weight	Price €
3964-28	H 910 x W 680 x D 458 mm ⚖ 40 kg	529,- / 590,-

Floor Cabinet,
1 door,
1 shelf included



Art.	Dimension Weight	Price €
3964-16	H 910 x W 864 x D 458 mm ⚖ 42 kg	719,- / 807,-

Corner Wall Cabinet,
1 door, with gas struts



Art.	Dimension Weight	Price €
3964-25	H 350 x W 865 x D 281 mm ⚖ 21 kg	389,- / 439,-

Corner Wall Cabinet,
1 door, with gas struts



Art.	Dimension Weight	Price €
3964-01	H 350 x W 680 x D 281 mm ⚖ 10 kg	179,- / 204,-



Wall Cabinet
Tambour Front



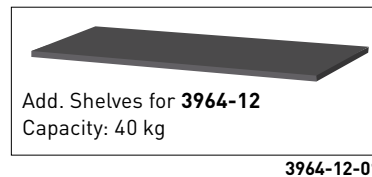
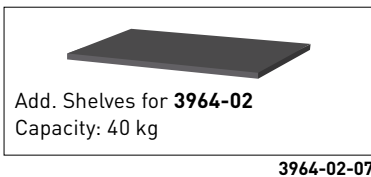
Art.	Dimension Weight	Price €
3964-19	H 350 x W 680 x D 281 mm ⚖ 8.4 kg	149,- / 164,-



Wall Cabinet, 2 doors,
1 shelf included



Art.	Dimension Weight	Price €
3964-27	H 680 x W 680 x D 300 mm ⚖ 16 kg	249,- / 281,-



Height Floor Cabinet
4 shelves included



Art.	Dimension Weight	Price €
3964-02	H 2000 x W 600 x D 458 mm ⚖ 53 kg	649,- / 734,-
3964-02-07	H 20 x W 590 x D 430 mm ⚖ 0.30 kg	37,-



Height Floor Cabinet,
2 doors,
4 shelves included



Art.	Dimension Weight	Price €
3964-12	H 2000 x W 915 x D 458 mm ⚖ 74 kg	859,- / 966,-
3964-12-01	H 20 x W 905 x D 430 mm ⚖ 0.60 kg	57,-

Modular Workshop Elements

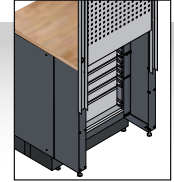


MOBILIO console for worktop extension NEW

Suitable for all Mobilio base units, can only be used in combination with extended worktops with a depth of 696 mm.

Powder-coated in matt black.

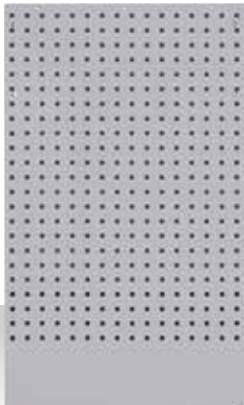
Scope of delivery 1 pc. - On/off switch



Art.	Weight	Price €
NEW 3964-EX	ΔΔ 3 kg	79,90

1

PC.



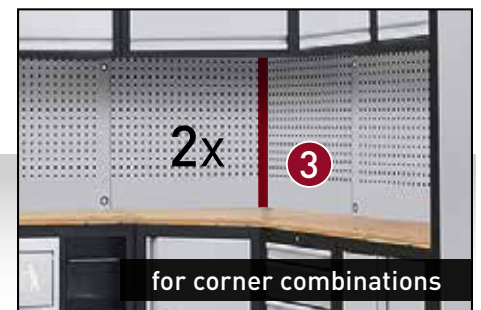
Perforated Back Panels



Perforated Back Panels for Art. 3964-16



Art.	Dimension Weight	Price €
3964-29	H 1052 x W 615 x D 24 mm ΔΔ 5.3 kg	90,-
3964-30	H 1052 x W 800 x D 24 mm ΔΔ 6.7 kg	95,-



Art.	Description Dimension	Price €
3964-24 1	MOBILIO Upright Connector for 2 Elements, H 1420 x W 65 x D 30 mm	47,70
3964-07 2	MOBILIO Upright Connector for 2 Elements, with cable holes H 1420 x W 65 x D 30 mm	47,70
3964-10 3	MOBILIO Single Upright Connector H 1420 x W 32.5 x D 30 mm	18,10



Art.	Description	Price €
3964-03-07	One-Key-Solution (lock 90°) for Art. 3964-02 3964-03 3964-12 3964-16 3964-27	6,40
3964-04-10	One-Key-Solution (lock 180°) for Art. 3964-04 3964-05 3964-13 3964-14 3964-15 3964-28	6,40

Accessories for hanging panel



Art.	Description Dimension Weight	Price €	
2949-1	Plastic magnetic bowl, red, Ø 150 mm ⚖ 360 g	9,70	12,60
2949-2	Plastic magnetic bowl, grey, Ø 150 mm ⚖ 360 g	9,70	12,60
2949-3	Plastic magnetic bowl, green, Ø 150 mm ⚖ 360 g	9,70	12,60



Art.	Description Dimension	Price €
3964-29-01	Storage Tray for Cans H 100 x W 330 x D 100 mm	28,70



Art.	Description Dimension Weight	Price €	
145.111.035	Single Tool Hook, vertical end 35 mm ⚖ 34 g	2,10	3,70
145.111.070	Single Tool Hook, vertical end 70 mm ⚖ 46 g	2,40	3,70
145.111.135	Single Tool Hook, vertical end 135 mm ⚖ 56 g	3,40	4,10



Art.	Description Dimension	Price €
3964-29-11	Bracket for Plastic Box H 54 x W 440 x D 15.5 mm	6,40



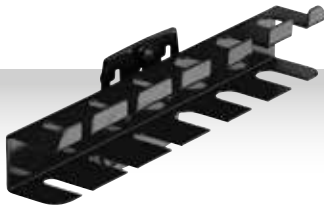
Art.	Description Dimension Weight	Price €	
145.112.035	Double Tool Hook, vertical end 35 mm ⚖ 76 g	3,40	6,20
145.112.050	Double Tool Hook, vertical end 50 mm ⚖ 90 g	3,40	6,20
145.112.075	Double Tool Hook, vertical end 75 mm ⚖ 90 g	3,50	6,20
145.112.150	Double Tool Hook, vertical end 150 mm ⚖ 98 g	3,50	8,90



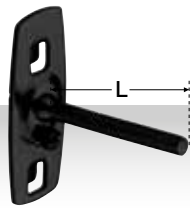
Art.	Description Dimension	Price €
3964-29-14	Plastic Box Blue H 75 x W 105 x D 140 mm	7,20
3964-29-15	Plastic Box Blue H 125 x W 140 x D 220 mm	16,80
3964-29-16	Plastic Box Blue H 125 x W 140 x D 270 mm	18,90



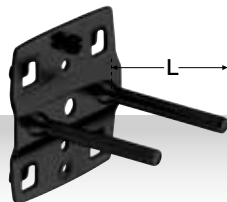
Art.	Description Dimension Weight	Price €	
145.125.035	Pliers Tool Hook, W 35 x D 20 mm ⚖ 62 g	3,50	6,20
145.125.075	Pliers Tool Hook, W 75 x D 20 mm ⚖ 62 g	3,60	7,20



Art.	Description Dimension Weight	Price €	
145.129.200	Holder for 6 Screwdrivers W 200 x D 30 mm ⚖ 200 g	6,80	20,70
145.129.390	Holder for 12 Screwdrivers W 390 x D 30 mm ⚖ 400 g	9,80	29,20



Art.	Description Dimension Weight	Price €	
145.100.050	Tool Hook, straight mandrial end L 50 mm Ø 6 mm ⚖ 34 g	1,90	2,30
145.100.102	Tool Hook, straight mandrial end L 102 mm Ø 6 mm ⚖ 46 g	2,60	3,10
145.100.150	Tool Hook, straight mandrial end L 150 mm Ø 6 mm ⚖ 56 g	3,10	3,80



Art.	Description Dimension Weight	Price €	
145.110.050	Double Hook, straight mandrial end L 50 mm Ø 6 mm ⚖ 74 g	3,40	5,20
145.110.102	Double Hook, straight mandrial end L 102 mm Ø 6 mm ⚖ 98 g	3,50	6,30
145.110.150	Double Hook, straight mandrial end L 150 mm Ø 6 mm ⚖ 118 g	3,50	6,30



Art.	Description Dimension Weight	Price €	
145.121.040	Inclined hook L1 15 x L2 35 mm Ø 6 mm ⚖ 34 g	2,10	4,10



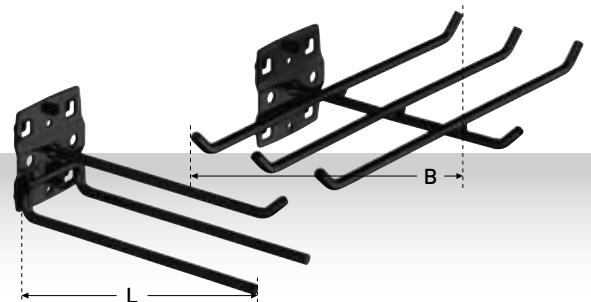
Art.	Description Dimension Weight	Price €	
145.126.060	Machine Tool Hook, Ø 60 mm ⚖ 72 g	4,80	15,50
145.126.080	Machine Tool Hook, Ø 80 mm ⚖ 80 g	5,60	16,60



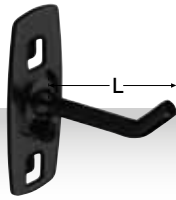
Art.	Description Dimension Weight	Price €	
145.129.227	Wrench Holder for 10 Spanners H 75-145 x D 220 mm ⚖ 480 g	13,90	29,20



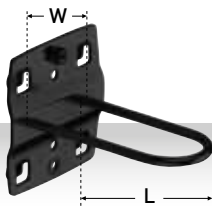
Art.	Description Dimension Weight	Price €	
145.130.200	Holder for 14 Drills each 2x Ø 3.0-4.2-6.5-7.5-8.5-16.5 mm each 1x Ø 10.5-12.5 mm W 200 x D 28 mm ⚖ 200 g	6,90	20,70
145.130.390	Holder for 28 Drills each 4x Ø 3.2-4.2-6.5-7.5-8.5-16.5 mm each 2x Ø 10.5-12.5 mm W 390 x D 28 mm ⚖ 400 g	12,90	36,40



Art.	Description Dimension Weight	Price €	
145.113.045	Triple Tool Hook, 3-fold W 45 x L 150 mm Ø 6 mm ⚖ 170 g	5,50	14,50
145.113.140	Triple Tool Hook, 6-fold W 240 x L 140 mm Ø 6 mm ⚖ 256 g	8,50	30,20



Art.	Description Dimension Weight	Price €	
145.120.050	Tool hook, inclined end L 50 mm Ø 6 mm ⚖ 34 g	2,10	3,70
145.120.100	Tool hook, inclined end L 100 mm Ø 6 mm ⚖ 46 g	2,90	4,10
145.120.150	Tool hook, inclined end L 150 mm Ø 6 mm ⚖ 56 g	3,40	4,10
145.120.200	Tool hook, inclined end L 200 mm Ø 6 mm ⚖ 68 g	3,50	4,70



Art.	Description Dimension Weight	Price €	
145.124.027	Round Holder W 27 x L 65 mm ⚖ 68 g	2,90	8,30



► Please order in pairs

Art.	Description Dimension Weight	Price €	
145.127.060	Pipe Holder W 35 mm Ø 60 mm ⚖ 114 g	4,80	15,50
145.127.100	Pipe Holder W 35 mm Ø 100 mm ⚖ 156 g	5,60	16,60



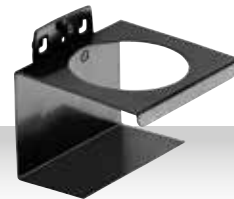
Art.	Description Dimension	Price €	
198.005.102	Universal Container for hanging panel, 5 pcs. H 90 x W 75 x D 50 mm	19,80	38,20



Art.	Description Dimension Weight	Price €	
145.123.025	Large tool clamp L 25 mm Ø 25 mm ⚖ 58 g	3,50	8,30
145.123.028	Large tool clamp L 28 mm Ø 28 mm ⚖ 60 g	3,50	9,30
145.123.032	Large tool clamp L 32 mm Ø 23 mm ⚖ 64 g	3,50	10,30



Art.	Description Dimension Weight	Price €	
145.122.006	Small tool clamp Ø 6 mm ⚖ 24 g	3,50	4,70
145.122.010	Small tool clamp Ø 10 mm ⚖ 25 g	3,50	5,10
145.122.013	Small tool clamp Ø 13 mm ⚖ 26 g	3,50	5,10
145.122.016	Small tool clamp Ø 16 mm ⚖ 27 g	3,50	5,10
145.122.019	Small tool clamp Ø 19 mm ⚖ 28 g	3,50	5,10



Art.	Description Dimension Weight	Price €	
145.137.001	Round Tool Holder W 100 mm Ø 70 mm ⚖ 200 g	6,90	25,-



Art.	Description Dimension Weight	Price €	
145.138.350	Storage Plate W 350 x D 125 mm ⚖ 600 g	9,90	25,-
145.138.445	Storage Plate W 445 x D 150 mm ⚖ 900 g	12,50	35,-



» Please order in pairs

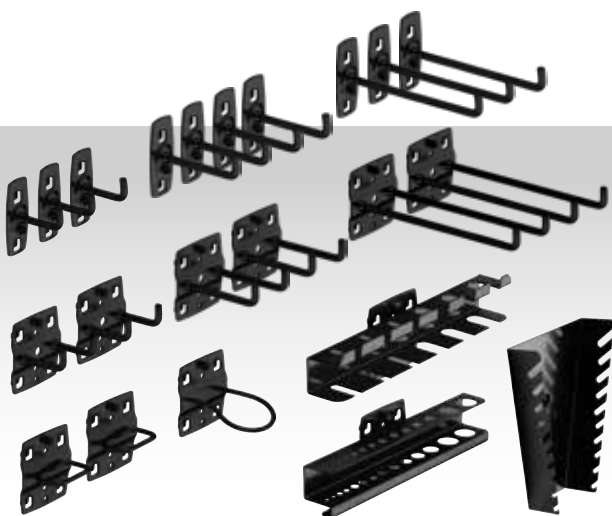
Art.	Description Dimension Weight	Price €	
145.128.080	Saw Holder for 4 Saws W 52 x D 80 mm ⚖ 85 g	3,50	14,50



Art.	Description Dimension Weight	Price €	
145.131.200	Hexagon Wrench Holder, for 9 Hexagon L-Key Wrenches W 200 x D 73 mm ⚖ 220 g	7,90	26,-



Art.	Description Dimension Weight	Price €	
145.135.150	Combination Holder 2 pcs. W 60 x L 150 mm ⚖ 400 g	11,90	50,-



Art.	Description	Price €	
145.100.900	Tool Holder Set, 22 pcs.	55,-	74,30



Art.	Description Dimension Weight	Price €	
145.132.150	Screwdriver Bit Holder for 7 Bits W 150 x D 35 mm ⚖ 200 g	4,40	20,70



Art.	Description Dimension Weight	Price €	
145.133.390	Socket Holder for 12 Sockets W 390 x D 30 mm ⚖ 500 g	12,90	36,40



Art.	Description Dimension Weight	Price €	
145.134.340	Tool Holder W 325 x H 55 x D 135 mm ⚖ 1100 g	29,-	43,70



Art.	Description	Price €
145.100.800	Feet for Mobilio M10 (4 pcs in 1 bag)	23,-

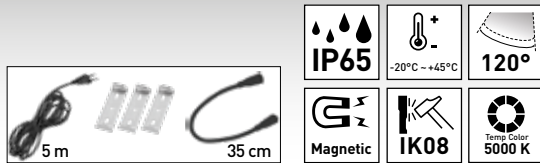


Other accessories



LED Down Light

- Flexible use (magnet or U-Brackets)
- Connectable in series
- ON/OFF switch



Art.	Description Dimension Weight	Price €	
32077-60	20 W, 120 SMD, 1800 Lumens H 124 x W 590 x D 43 mm ⚖ 1.2 kg	114,-	148,-
32077-120	40 W, 240 SMD, 3600 Lumens H 124 x W 1200 x D 43 mm ⚖ 2.3 kg	172,-	196,-



Workbenches

- With height-adjustable feet
- 3 cm thick multiplex worktop, splash-proof, dirt-repellent and widely resistant to oil and grease
- Max. load-bearing capacity 150 kg

Art.	Dimension Weight	Price €
7526	H min. 880 - max. 930 x W 1600 x D 600 mm ⚖ 54 kg	381,-
7527	H min. 880 - max. 930 x W 1600 x D 800 mm ⚖ 66 kg	445,-



Automatic Air Horse Reel 15 + 1 m

- The housing can be swivelled up to 180°
- With automatic return spring and locking system
- Housing material: PP (Polypropylene)
- Reinforced hose made of hybrid polymer

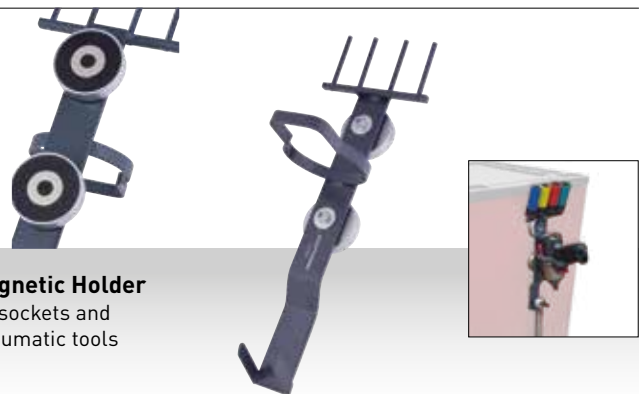
Art.	Dimension Weight	Price €	
31041	Fits for base cabinet 3964-28 (Page 17) H 370 x W 320 x D 180 mm ⚖ 5.5 kg	142,-	158,-



Parallel Steel Bench Vise

- drop forged, with swivel base and tubular clamping jaw, exchangeable hardened clamping jaws, forward opening, with anvil and beak, black enameled.
- Jaws, guideway and anvil grinded and hardened.

Art.	Dimension Weight	Price €
2961	L1 100 x L2 120 x L3 65 mm ⚖ 7.5 kg	158,-
2962	L1 125 x L2 140 x L3 70 mm ⚖ 11 kg	196,-
2963	L1 150 x L2 170 x L3 80 mm ⚖ 14.5 kg	232,-
2964	L1 200 x L2 200 x L3 90 mm ⚖ 20.5 kg	312,-

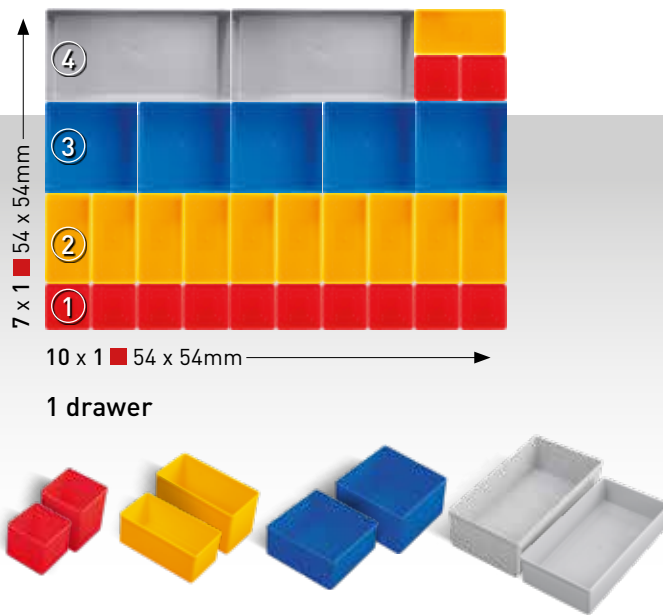


Magnetic Holder

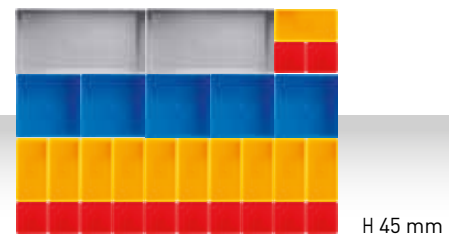
- for sockets and pneumatic tools

Art.	Dimension Weight	Price €
3929	H 400 x W 130 x D 150 mm ⚖ 2.1 kg	89,- / 105,-

Insert Bins



Art.	Description Dimension	Price €
198.000.018	Insert Bin, Nr. 1 H 45 x W 54 x D 54 mm	1,10
198.000.022	Insert Bin, Nr. 1 H 63 x W 54 x D 54 mm	1,40
198.000.019	Insert Bin, Nr. 2 H 45 x W 108 x D 54 mm	1,50
198.000.023	Insert Bin, Nr. 2 H 63 x W 108 x D 54 mm	1,90
198.000.020	Insert Bin, Nr. 3 H 45 x W 108 x D 108 mm	2,30
198.000.024	Insert Bin, Nr. 3 H 63 x W 108 x D 108 mm	2,80
198.000.021	Insert Bin, Nr. 4 H 45 x W 108 x D 216 mm	3,40
198.000.025	Insert Bin, Nr. 4 H 63 x W 108 x D 216 mm	4,60



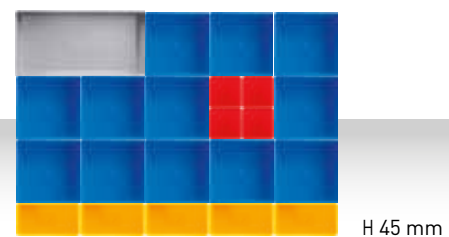
Art.	Description	Price €
198.001.001	Insert Bin Set, 30 pcs.	29,- 42,40



Art.	Description	Price €
198.001.002	Insert bin set, 21 pcs.	27,- 36,10



Art.	Description	Price €
198.001.003	Insert Bin Set, 23 pcs.	27,- 37,10



Art.	Description	Price €
198.001.004	Insert Bin Set, 22 pcs.	27,- 37,10



Art.	Description	Price €
198.001.005	Insert Bin Set, 26 pcs.	28,- 37,10

Accessories



Art.	Description Dimension Weight	Price €	
145.143.010	Paper Roll Holder, H 150 x W 300 x D 220 mm ⚖ 1.6 kg	55,-	62,-



Art.	Description Dimension Weight	Price €	
145.143.011	Storage Compartment, H 60 x W 215 x D 85 mm ⚖ 0.5 kg	13,90	18,90



Art.	Description Dimension Weight	Price €	
145.143.012	Storage Compartment for 8 Cabs, with handle, H 100 x W 300 x D 160 mm ⚖ 2.5 kg	89,-	101,-



Art.	Description Dimension Weight	Price €	
145.143.013	Waste Paper Bin, H 300 x W 300 x D 160 mm ⚖ 3.5 kg	49,-	59,-

KRAFTWERK Sink Set

Art. 150.500.002

Floor Cabinet with Stainless Steel Sink, Waste Garbage and Back Panel

- 1 x Art. 150.000.011 Sink
- 1 x Art. 808.100.101 Sanitizer
- 1 x Art. 808.100.102 Soap Dispenser
- 1 x Art. 808.100.201 Paper Roll
- 1 x Art. 808.100.301 Stainless Steel Panel
L 24 x W 615 x H 1052 mm | ⚖ 5.3 kg
- 1 x Art. 3964-03 MOBILIO Floor Cabinet, 2 doors,
1 shelf included
- 2 x Art. 3964-10 MOBILIO Single Upright Connector



Wash trough and tap + soap dispenser + sanitizer + paper towel dispenser + 2 door tool cabinet



Maximize and expand your hygiene in the workshop



Compact and easy to install



Touch free to optimize your workplace



Fits perfectly in Kraftwerk Mobilio range



Cabinet for hygiene spare parts



€ 2.000,-

~~€ 2.580,-~~

Accessories for Mobilio Sink

Also available individually

Art. 808.100.102

Touch Free Soap Dispenser

- Infrared sensor activity for non-touch operation
- Stainless Steel, 0,8 mm
- Capacity 0,8 liter

H 300 x W 105 x D 106 mm | ⚖ 1.38 kg



€ 229,-

Art. 808.100.201

Centerfeed Paper Roll Box

- For paper rolls
- Stainless Steel, 0,8 mm
- Integrated tear- off edge for paper roll

H 339 x W 202 x D 215 mm | ⚖ 2.74 kg



€ 239,-

Art. 808.100.101

Touch Free Sanitizer Dispenser

- Infrared sensor activity for non-touch operation
- Stainless Steel, 0,8 mm
- Capacity 0,8 liter

H 300 x W 112 x D 105 mm | ⚖ 1.38 kg



€ 229,-



Art. 150.500.003

Floor Cabinet with Stainless Steel Sink

- 1 x Art. 150.000.011 Sink
- 1 x Art. 3964-29 Perforated Back Panel
H 1052 x W 615 x D 24 mm | ⚖ 5.3 kg
- 1 x Art. 3964-03 MOBILIO Floor Cabinet, 2 doors,
1 shelf included
- 2 x Art. 3964-10 MOBILIO Single Upright Connector

€ 1.199,-
~~€ 1.520,-~~

MOBILIO WEB CONFIGURATOR



**ACTUAL
HIGHEND 3D
MOBILIO WEB
CONFIGURATOR**

**best of
swiss
web**
usability
marketing
digital commerce
bronze 2019

Visit us on our homepage at mobilio-configurator.kraftwerktools.com

Subject to changes of specifications, prices and availability.
Valid from **01.03.2024** to **31.01.2025**

Prices in € excl. V.A.T

Distribution: KRAFTWERK Group AG
export@kraftwerktools.com

Art. 903.071.006

Your specialized dealer: