



# Safety Information

Printed Matter No. 8956002311

Date: 2023-09 Issue No. 01

## Impact Wrench

Valid from Serial No. A00001-202308 to Z99999-212308

Model:

RC9067

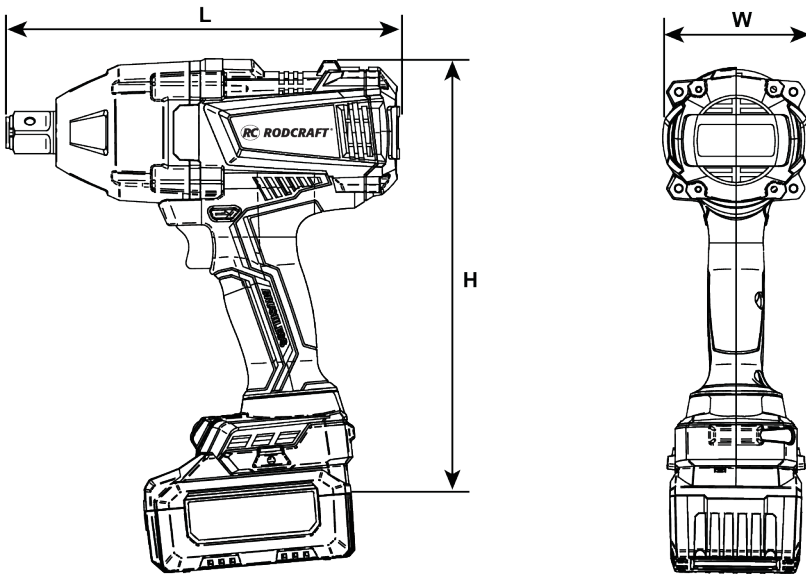
RC9077

RC9087

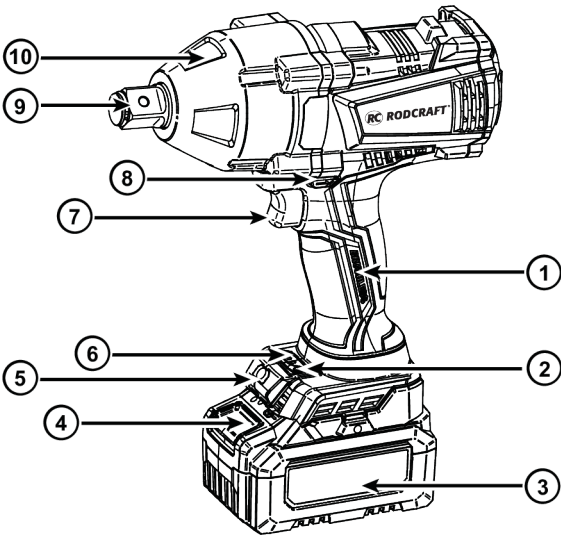


	<b>⚠ WARNING</b>
	To reduce risk of injury, everyone using, installing, repairing, maintaining, changing accessories on, or working near this tool <b>MUST</b> read and understand these instructions before performing any such task.
	<b>DO NOT DISCARD - GIVE TO USER</b>

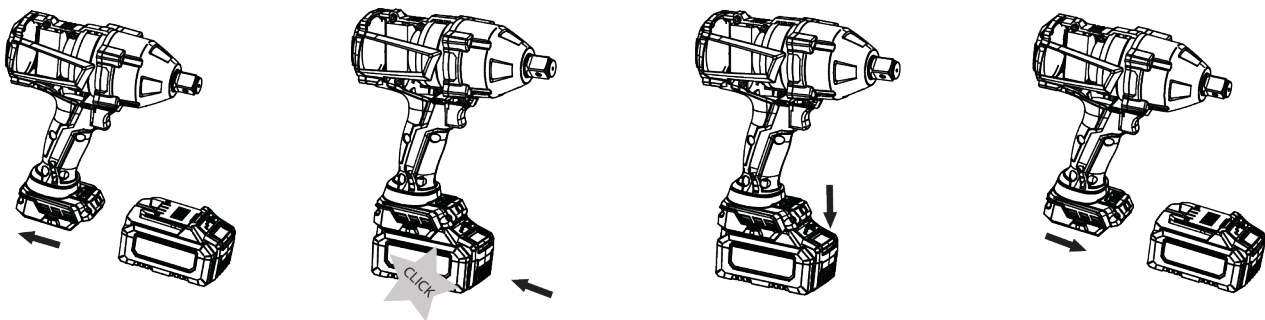
Schema 1



Schema 2



Schema 3



Schema 4

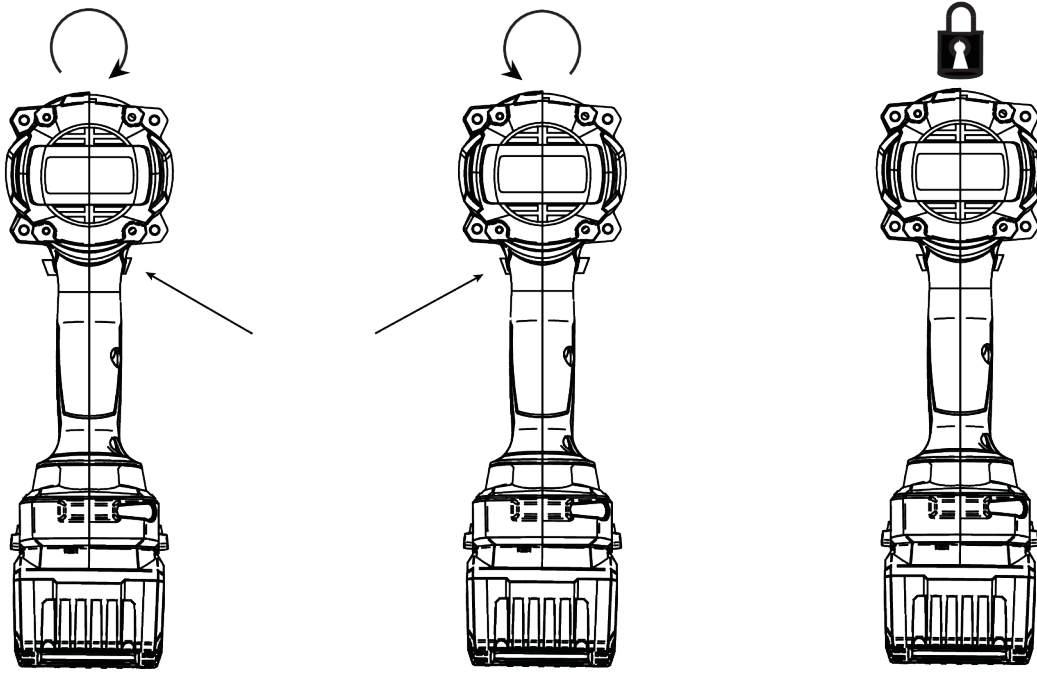


Table 1

Description	RC9067	RC9077	RC9087
Rated Voltage (V)	20	20	20
Max. Free Speed (rpm)	2600	1700	1700
Max. Torque Rev. (Nm)	300	1100	1100
Square Head (inch)	1/2	1/2	3/4
Speed Range (rpm)	0 to 2600	0 to 1700	0 to 1700
Impact Rate Range (bpm)	0 to 3500	0 to 2200	0 to 2200
Bare Tool Weight* (kg)	1.2	3	3.05
Bare Tool Length (L) (mm)	137	230	230
Bare Tool Width (W) (mm)	80	87	87
Bare Tool Height (H) (mm)	210	245	245
Recommended Charging Temperature (°C)	0 to +45	0 to +45	0 to +45
Storage Temperature (°C)	-20 to +50	-20 to +50	-20 to +50
Operating Temperature (°C)	-20 to +70	-20 to +70	-20 to +70

## Table of Contents

EN	Safety Information.....	5
FR	Informations concernant la sécurité .....	9
DE	Sicherheitshinweise.....	15
ES	Información sobre seguridad.....	20
PT	Informação de Segurança.....	25
IT	Informazioni sulla sicurezza.....	30
NL	Veiligheidsinformatie.....	35
DA	Sikkerhedsoplysninger .....	41
NO	Sikkerhetsinformasjon.....	45
FI	Turvallisuustiedot.....	50
EL	Πληροφορίες για την ασφάλεια .....	55
SV	Säkerhetsinformation .....	60
RU	Информация по технике безопасности .....	65
PL	Informacje dotyczące bezpieczeństwa .....	71
SK	Bezpečnostné informácie .....	77
CS	Bezpečnostní informace .....	82
HU	Biztonsággal kapcsolatos tudnivalók .....	87
SL	Varnostne informacije.....	92
RO	Informații privind siguranța .....	97
TR	Güvenlik bilgileri .....	102
BG	Информация за безопасност.....	106
HR	Sigurnosne informacije .....	112
ET	Ohutus informatsioon.....	117
LT	Saugos informacija.....	122
LV	Drošības informācija .....	126
ZH	安全信息.....	131
JA	安全情報.....	135
KO	안전 정보.....	140

## Technical Data

### Product description

Refer to *Schema 2*.

1	Soft handle
2	Speed adjust button
3	Battery pack
4	Button of battery pack
5	Work lamp
6	Speed adjust indicator lamp
7	Switch trigger
8	Reverse button
9	Square drive
10	Aluminum cover

## Declarations

### EU Declaration of Conformity

We, **Desoutter GmbH**, Edmund-Seng-Str. 3-5, 63477 Maintal, Germany, declare under our sole responsibility that the product (with name, type, and serial number, see the front page) is in conformity with the following Directive (s):

**2006/42/EC; 2011/65/EU; 2014/30/EU**

Harmonized standards applied:

**EN 62841-1:2015/A11:2022; EN 62841-2-2:2014; EN IEC 55014-1:2021; EN IEC 55014-2:2021; EN 62233:2008**

Authorities can request relevant technical information from:

Pascal Roussy, R&D Manager, Ets Georges Renault, 38 rue Bobby Sands, BP10273 44818 Saint Herblain, France

**Saint-Herblain, 2023/08/28**

**Pascal ROUSSY**



Signature

### UK Declaration of Conformity

We, **Desoutter GmbH**, Edmund-Seng-Str. 3-5, 63477 Maintal, Germany, declare under our sole responsibility that the product (with name, type and serial number, see front page) is in conformity with the following UK Regulation(s):

**Supply of Machinery (Safety) Regulations 2008**

**The Restriction of the Use of Certain Hazardous Substances in Electrical and Electronic Equipment Regulations 2012**

Designated Standards applied:

**EN 62841-1:2015/A11:2022; EN 62841-2-2:2014; EN IEC 55014-1:2021; EN IEC 55014-2:2021; EN 62233:2008**

**Saint-Herblain, 2023/08/28**

**Pascal ROUSSY**



Signature

Authorities can request relevant technical information from:

### UK Authorized Representative:

Air Compressors & Tools Ltd  
Unit 5 Westway 21  
Chesford Grange, Woolston,  
Warrington, WA1 4SZ  
UK

**Contact:** M.Taylor

### Noise and Vibration Declaration Statement

Description	RC9067	RC9077	RC9087
Sound pressure (K=3) (dB(A))	92.3	88.4	88.4
Sound power (K=3) (dB(A))	100.3	96.4	96.4
Vibration (K=1.5) (m/s <sup>2</sup> )	5.45	8.15	8.15

Sound pressure, sound power and vibration values are in accordance with EN 62841-2-2:2014 + AC:2015.

These declared values were obtained by laboratory-type testing in accordance with the stated standards and are suitable for comparison with the declared values of other tools tested in accordance with the same standards. The vibration emission level may be used for a preliminary assessment of exposure. These declared values are not adequate for use in risk assessments and values measured in individual workplaces maybe higher. The actual exposure values and risk of harm experienced by an individual user are unique and depend upon the way the user works, the workpiece, and the workstation design, as well upon the exposure time and the physical condition of the user.

We, **Desoutter GmbH**, cannot be held liable for the consequences of using the declared values, instead of values reflecting the actual exposure, in an individual risk assessment happening in a workplace situation a workplace situation over which we have no control.

This tool may cause hand-arm vibration syndrome if its use is not adequately managed. An EU guide to managing hand-arm vibration can be found by accessing <http://www.pneurop.eu/index.php> and selecting 'Tools' and then 'Legislation'.

We recommend a programme of health surveillance to detect early symptoms which may relate to noise or vibration exposure, so that the management procedures can be modified to help prevent future impairment.

- ① If this equipment is intended for fixtured applications:  
The noise emission is given as a guide to the machine-builder. Noise and vibration emission data for the complete machine should be given in the instruction manual for the machine.

### Regional Requirements

#### ⚠ WARNING

This product can expose you to chemicals including lead, which is known to the State of California to cause cancer and birth defects or other reproductive harm. For more information go to

<https://www.p65warnings.ca.gov/>

### Information regarding Article 33 in REACH

The European Regulation (EU) No. 1907/2006 on Registration, Evaluation, Authorization and restriction of Chemicals (REACH) defines among other things requirements related to communication in the supply chain. The information requirement applies also to products containing so called Substances of Very High Concern (the "Candidate List"). On 27 June 2018 lead metal (CAS nr 7439-92-1) was added to the Candidate List.

In accordance with the above this is to inform you that certain electrical components in the product may contain lead metal. This is in compliance with current substance restriction legislation and based on legit exemptions in the RoHS Directive (2011/65/EU). Lead metal will not leak or mutate from the product during normal use and the concentration of lead metal in the complete product is well below the applicable threshold limit. Please consider local requirements on the disposal of lead at product end of life.

## Safety

DO NOT DISCARD - GIVE TO USER

### **⚠️ WARNING Read all safety warnings, instructions, illustrations and specifications provided with this power tool.**

Failure to follow all instructions listed below may result in electric shock, fire, and/or serious injury.

**Save all warnings and instructions for future reference.**

### **⚠️ WARNING All locally legislated safety rules regarding installation, operation and maintenance shall be respected at all times.**

### Statement of Use

- For professional use only.
- This product and its accessories must not be modified in any way.
- Do not use this product if it has been damaged.
- If the product data or hazard warning signs on the product cease to be legible or become detached, replace without delay.
- The product must only be installed, operated and serviced by qualified personnel in an industrial environment.

### Intended Use

This product is intended to be used only by adults who have read and understood the instructions and warnings in this manual and can be considered responsible for their actions.

- This product is designed for installing and removing threaded fasteners in wood, metal or plastic.
- Do not use the product for any other purpose not described above.
- Indoor use only.
- No other use permitted.

Use the following battery packs and chargers only.

RC20BA20: 8951000467

RC20BA40: 8951000468

RC20BA60: 8951000469

Battery packs must be charged only with the Rodcraft battery chargers.

RC20CHEU: 8951000470

RC20CHUK: 8951000471

For complete instructions, refer to the Safety Information of battery pack charger (Printed matter No. 8956002313).

## General Power Tool Safety Warnings

### **⚠️ WARNING Read all safety warnings, instructions, illustrations and specifications provided with this product.**

Failure to follow all instructions listed below may result in electric shock, fire, property damage and/or serious injury.

**Save all warnings and instructions for future reference.**

The term "power tool" in the warnings refers to your mains-operated (corded) power tool or battery-operated (cordless) power tool.

### Work area safety

- **Keep work area clean and well lit.** Cluttered or dark areas invite accidents.
- **Do not operate power tools in explosive atmospheres, such as in the presence of flammable liquids, gases or dust.** Power tools create sparks which may ignite the dust or fumes.
- **Keep children and bystanders away while operating a power tool.** Distractions can cause you to lose control.

### Electrical safety

- **Avoid body contact with earthed or grounded surfaces, such as pipes, radiators, ranges and refrigerators.** There is an increased risk of electric shock if your body is earthed or grounded.
- **Do not expose power tools to rain or wet conditions.** Water entering a power tool will increase the risk of electric shock.

### Personal safety

- **Stay alert, watch what you are doing and use common sense when operating a power tool. Do not use a power tool while you are tired or under the influence of drugs, alcohol or medication.** A moment of inattention while operating power tools may result in serious personal injury.
- **Use personal protective equipment. Always wear eye protection.** Protective equipment such as dust mask, non-skid safety shoes, hard hat, or hearing protection used for appropriate conditions will reduce personal injuries.
- **Prevent unintentional starting. Ensure the switch is in the off-position before connecting to power source and/or battery pack, picking up or carrying the tool.** Carrying power tools with your finger on the switch or energising power tools that have the switch on invites accidents.

- **Remove any adjusting key or wrench before turning the power tool on.** A wrench or a key left attached to a rotating part of the power tool may result in personal injury.
- **Do not overreach. Keep proper footing and balance at all times.** This enables better control of the power tool in unexpected situations.
- **Dress properly. Do not wear loose clothing or jewellery. Keep your hair and clothing away from moving parts.** Loose clothes, jewellery or long hair can be caught in moving parts.
- **If devices are provided for the connection of dust extraction and collection facilities, ensure these are connected and properly used.** Use of dust collection can reduce dust-related hazards.
- **Do not let familiarity gained from frequent use of tools allow you to become complacent and ignore tool safety principles.** A careless action can cause severe injury within a fraction of a second.
- **Hold the power tool by insulated gripping surfaces, when performing an operation where the fastener may contact hidden wiring.** Fasteners contacting a "live" wire may make exposed metal parts of the power tool "live" and could give the operator an electric shock.

#### Power tool use and care

- **Do not force the power tool. Use the correct power tool for your application.** The correct power tool will do the job better and safer at the rate for which it was designed.
- **Do not use the power tool if the switch does not turn it on and off.** Any power tool that cannot be controlled with the switch is dangerous and must be repaired.
- **Disconnect the plug from the power source and/or the battery pack, if detachable, from the power tool before making any adjustments, changing accessories, or storing power tools.** Such preventive safety measures reduce the risk of starting the power tool accidentally.
- **Store idle power tools out of the reach of children and do not allow persons unfamiliar with the power tool or these instructions to operate the power tool.** Power tools are dangerous in the hands of untrained users.
- **Maintain power tools and accessories. Check for misalignment or binding of moving parts, breakage of parts and any other condition that may affect the power tool's operation. If damaged, have the power tool repaired before use.** Many accidents are caused by poorly maintained power tools.
- **Keep cutting tools sharp and clean.** Properly maintained cutting tools with sharp cutting edges are less likely to bind and are easier to control.
- **Use the power tool, accessories and tool bits etc. in accordance with these instructions, taking into account the working conditions and the work to be performed.** Use of the power tool for operations different from those intended could result in a hazardous situation.
- **Keep handles and grasping surfaces dry, clean and free from oil and grease.** Slippery handles and grasping surfaces do not allow for safe handling and control of the tool in unexpected situations.

#### Battery tool use and care

- **Recharge only with the charger specified by the manufacturer.** A charger that is suitable for one type of battery pack may create a risk of fire when used with another battery pack.
- **Use power tools only with specifically designated battery packs.** Use of any other battery packs may create a risk of injury and fire.
- **When battery pack is not in use, keep it away from other metal objects, like paper clips, coins, keys, nails, screws or other small metal objects, that can make a connection from one terminal to another.** Shorting the battery terminals together may cause burns or a fire.
- **Under abusive conditions, liquid may be ejected from the battery; avoid contact. If contact accidentally occurs, flush with water. If liquid contacts eyes, additionally seek medical help.** Liquid ejected from the battery may cause irritation or burns.
- **Do not use a battery pack or tool that is damaged or modified.** Damaged or modified batteries may exhibit unpredictable behaviour resulting in fire, explosion or risk of injury.
- **Do not expose a battery pack or tool to fire or excessive temperature.** Exposure to fire or temperature above 130 °C may cause explosion.
- **Follow all charging instructions and do not charge the battery pack or tool outside the temperature range specified in the instructions.** Charging improperly or at temperatures outside the specified range may damage the battery and increase the risk of fire.

#### Service

- **Have your power tool serviced by a qualified repair person using only identical replacement parts.** This will ensure that the safety of the power tool is maintained.
- **Never service damaged battery packs.** Service of battery packs should only be performed by the manufacturer or authorized service providers.

### Product Specific Instructions

#### Operating the tool

1. Fit the tool with a suitable socket.
2. Set the correct mode using speed adjust button (2).
3. Choose the right direction using reverse button (8).
4. Position the tool following safety instructions described in this document.
5. Press and keep pressure on switch trigger (7).
6. Keep trigger pressed (7) till the end of the operation.

#### **WARNING Risk Of Injury**

As the reaction force increases in proportion to the tightening torque, there is a risk of severe bodily injury of the operator as a result of unexpected behavior of the tool.

- Make sure that the tool is in perfect working order and the system is programmed correctly.

## Battery

Battery packs which have not been used for some time should be recharged before use.

Temperatures over 50°C (122°F) reduce the performance of the battery pack. Avoid extended exposure to heat or sunshine (risk of overheating).

The contacts of chargers and battery packs must be kept clean.

For an optimum life-time, the battery packs have to be fully charged, after use. To obtain the longest possible battery life remove the battery pack from the charger once it is fully charged.

The battery pack has overload protection that protects it from being overloaded and helps to ensure long life. Under extreme stress the battery electronics switch off the product automatically. To restart, switch the product off and then on again. If the product does not start up again, the battery pack may have discharged completely. In this case it must be recharged in the battery charger.

## Maintenance instructions

- **Follow local country environmental regulations for safe handling and disposal of all components.**
- Maintenance and repair work must be carried out by qualified personnel using only original spare parts. Contact the manufacturer or your nearest authorised dealer for advice on technical service or if you require spare parts.
- Always ensure that the machine is disconnected from energy source to avoid accidental operation.
- Disassemble and inspect the tool every three 3 months if the tool is used every day. Replace damaged or worn parts.
- Do not at any time let brake fluids, gasoline, petroleum based products, penetrating oils, etc., come in contact with plastic parts. Chemicals can damage, weaken or destroy plastic which could result in serious personal injury.
- Avoid using solvents when cleaning plastic parts. Most plastics are susceptible to damage from various types of commercial solvents and can be damaged by their use. Use clean clothes to remove dirt, dust, oil, grease, etc.

## Disposal

- The disposal of this equipment must follow the legislation of the respective country.
- All damaged, badly worn or improperly functioning devices **MUST BE TAKEN OUT OF OPERATION.**
- Repair only by technical maintenance staff.

## Additional Safety Rules for screwdrivers and wrenches

### Entanglement hazards

- **Keep away from rotating drive.** Choking, scalping and / or lacerations can occur if loose clothing, gloves, jewellery, neck ware and hair are not kept away from tool and accessories.

- **Do not wear loose-fitting gloves or gloves with cut or frayed fingers.** Gloves can become entangled with the rotating drive, causing severed or broken fingers.
- **Rotating drive sockets and drive extensions can easily entangle rubber-coated or metal-reinforced gloves.**
- **Never hold the drive, socket or drive extension.**

### Operating hazards

- **Operators and maintenance personnel must be physically able to handle the bulk, weight and power of the tool.**
- **Hold the tool correctly: be ready to counteract normal or sudden movements.** Have both hands available.
- **Immediately after adjusting the clutch, check for correct operation.**
- **Do not use in a worn condition.** The clutch may not operate, resulting in sudden rotation of the tool handle.
- **Always support the tool's handle securely, in the direction opposite to the spindle rotation, to reduce the effect of sudden torque reaction during final tightening and initial loosening.**
- **If possible, use a suspension arm to absorb the reaction torque. If that is not possible, side handles are recommended for straight-case and pistol-grip tools; reaction bars are recommended for angle nutrunners.** In any case, it is recommended to use a means to absorb the reaction torque above 4 Nm (3 lbf.ft) for straight-case tools, above 10 Nm (7.5 lbf.ft) for pistol-grip tools, and above 60 Nm (44 lbf.ft) for angle nutrunners.

### Projectile hazards

- **Always wear impact-resistant eye and face protection when involved with or near the operation, repair or maintenance of the tool or changing accessories on the tool.**
- **Be sure all others in the area are wearing impact-resistant eye and face protection.** Even small projectiles can injure eyes and cause blindness.
- **Assemblies requiring a specific torque must be checked using a torque meter.** So-called "click" torque wrenches do not check for potentially dangerous over-torqued conditions. Serious injury can result from over-torqued or under-torqued fasteners, which can break, or loosen and separate. Released assemblies can become projectiles.
- **Do not use hand sockets.** Use only power or impact sockets in good condition.
- **This tool and its accessories must not be modified in any way.**

### Repetitive motion hazards

- **When using a power tool to perform work-related activities, the operator might experience discomfort in the hands, arms, shoulders, neck, or other parts of the body.**
- **Adopt a comfortable posture whilst maintaining secure footing and avoiding awkward or off-balance postures.** Changing posture during extended tasks can help avoid discomfort and fatigue.



- Do not ignore symptoms such as persistent or recurring discomfort, pain, throbbing, aching, tingling, numbness, burning sensation, or stiffness. Stop using the tool, tell your employer and consult a physician.

#### Workplace hazards

- **Slip/Trip/Fall is a major cause of serious injury or death.** Cluttered areas and benches invite injuries.
- **Do not use in confined spaces.** Beware of crushing hands between tool and workpiece, especially when unscrewing.
- **High sound levels can cause permanent hearing loss.** Use hearing protection as recommended by your employer or occupational health and safety regulations.
- **Ensure that the workpiece is securely fixed.**
- **Repetitive work motions, awkward positions and exposure to vibration can be harmful to hands and arms.** If numbness, tingling, pain or whitening of the skin occurs, stop using tool and consult a physician.
- **Proceed with care in unfamiliar surroundings.** Be aware of potential hazards created by your work activity. This tool is not insulated from coming into contact with electric power sources.

#### Signs and Stickers

The product is fitted with signs and stickers containing important information about personal safety and product maintenance. The signs and stickers shall always be easy to read. New signs and stickers can be ordered by using the spare parts list.



s011050

#### Symbols



Remove the battery pack before starting any work on the machine.



Please read the instructions carefully before starting the machine.



Do not dispose of electric tools together with household waste material. Electric tools and electronic equipment that have reached the end of their life must be collected separately and returned to an environmentally compatible recycling facility. Check with your local authority or retailer for recycling advice and collection point.



Always wear goggles when using the machine.

$n_0$  No load speed.

V Volts

$\text{min}^{-1}$  per minute



Direct Current



CAUTION! WARNING! DANGER!

## Useful Information

### Country of origin

People's Republic of China

### Website

Information concerning our Products, Accessories, Spare Parts and Published Matters can be found on the Rodcraft website.

Please visit: [www.rodcraft.com](http://www.rodcraft.com).

### Safety Data Sheet

The Safety Data Sheets describe the chemical products sold by Rodcraft.

Please consult the Rodcraft website for more information [qr.cp.com/sds](http://qr.cp.com/sds).

### Copyright

© Copyright 2023, Desoutter GmbH, Edmund-Seng-Str. 3-5, 63477 Maintal, Germany

All rights reserved. Any unauthorized use or copying of the contents or part thereof is prohibited. This applies in particular to trademarks, model denominations, part numbers, and drawings. Use only authorized parts. Any damage or malfunction caused by the use of unauthorized parts is not covered by Warranty or Product Liability.

## Caractéristiques techniques

### Description du produit

Reportez vous au *Schema 2*.

1	Poignée souple
2	Bouton de réglage de la vitesse
3	Bloc-batterie
4	Bouton du bloc-batterie
5	Lampe de travail
6	Voyant du réglage de la vitesse
7	Gâchette
8	Bouton de sens inverse
9	Carré d'entraînement
10	Boîtier en aluminium

## Déclarations

### Déclaration de conformité UE

Nous, **Desoutter GmbH**, Edmund-Seng-Str. 3-5, 63477 Maintal, Germany, déclarons sous notre seule et entière responsabilité que le produit (dont le nom, le type et le numéro de série figurent en première page) est en conformité avec la ou les directives suivantes :

2006/42/EC; 2011/65/EU; 2014/30/EU



Normes harmonisées appliquées :

EN 62841-1:2015/A11:2022; EN 62841-2-2:2014; EN IEC 55014-1:2021; EN IEC 55014-2:2021; EN 62233:2008

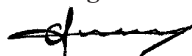
Les autorités peuvent obtenir les informations techniques pertinentes en s'adressant à :

Pascal Roussy, R&D Manager, Ets Georges Renault, 38 rue Bobby Sands, BP10273 44818 Saint Herblain, France

Saint-Herblain, 2023/08/28

Pascal ROUSSY

Signature



### Déclaration relative au bruit et aux vibrations

Description	RC9067	RC9077	RC9087
Pression sonore (K=3) (dB(A))	92,3	88,4	88,4
Puissance acoustique (K=3) (dB(A))	100,3	96,4	96,4
Vibration (K=1,5) (m/s <sup>2</sup> )	5,45	8,15	8,15

Les valeurs de pression acoustique, de puissance acoustique et de vibration sont conformes à la norme EN 62841-2-2:2014 + AC:2015.

Les valeurs déclarées ont été obtenues par les biais d'essais de type effectués en laboratoire, conformément aux normes mentionnées, et peuvent être comparées avec les valeurs déclarées des autres outils testés dans le cadre de ces mêmes normes. Le niveau d'émission de vibrations peut être utilisé pour une évaluation préliminaire de l'exposition. Ces valeurs déclarées ne peuvent pas être utilisées pour l'évaluation des risques et les valeurs mesurées sur des lieux de travail individuels peuvent être supérieures. Les valeurs réelles d'exposition et le risque de préjudice subi par un utilisateur individuel sont uniques et dépendent de la façon dont cet utilisateur travaille, de la pièce sur laquelle il travaille et de la conception du poste de travail, ainsi que du temps d'exposition et de l'état de santé physique de l'utilisateur.

Notre société, **Desoutter GmbH**, ne peut en aucun cas être tenue responsable des conséquences de l'utilisation des valeurs déclarées à la place des valeurs reflétant l'exposition réelle dans l'évaluation des risques individuels dans un lieu de travail sur lequel nous n'avons aucun contrôle.

Cet outil peut provoquer un syndrome des vibrations mains-bras s'il n'est pas utilisé correctement. Un guide européen de gestion des vibrations main-bras est disponible sur le site <http://www.pneurop.eu/index.php> en sélectionnant « Tools » puis « Legislation ».

Nous recommandons la mise en place d'un programme de surveillance médicale afin de détecter les premiers symptômes qui pourraient être dus à une exposition aux vibrations ; les procédures de gestion pourraient alors être modifiées pour éviter une future déficience.

- i** Si ce matériel est destiné aux applications embarquées : Le niveau sonore est donné à titre indicatif à l'intention du constructeur de machines. Les données de niveau sonore et de vibrations pour la machine complète devront figurer dans le manuel d'utilisation de cette dernière.

### Spécificités régionales

#### ⚠ AVERTISSEMENT

Ce produit peut vous exposer à des produits chimiques comme le plomb qui est reconnu par l'État de Californie comme cancérigène et causant des malformations congénitales ou autres anomalies de la reproduction. Pour de plus amples informations

<https://www.p65warnings.ca.gov/>

### Informations concernant l'article 33 de REACH

Le règlement européen (UE) n° 1907/2006 sur l'enregistrement, l'évaluation et l'autorisation des substances chimiques, ainsi que les restrictions applicables à ces substances (REACH) définit entre autres les exigences relatives à la communication dans la chaîne d'approvisionnement. L'obligation d'information s'applique également aux produits contenant des substances dites extrêmement préoccupantes (la « Liste des substances candidates »). Le 27 juin 2018, le plomb (n° CAS 7439-92-1) a été ajouté à la Liste des substances candidates.

Conformément à ce qui précède, ceci est pour vous informer que certains composants électriques du produit peuvent contenir du plomb. Ceci est conforme à la législation en vigueur en matière de restriction des substances et se fonde sur les exemptions légales prévues par la directive RoHS (2011/65/UE). Le plomb ne fuira pas ou ne mutera pas du produit lors d'une utilisation normale et la concentration de plomb dans le produit complet est bien en dessous du seuil limite applicable. Veuillez tenir compte des exigences locales concernant l'élimination du plomb en fin de vie du produit.

### Sécurité

NE PAS JETER - REMETTRE À L'UTILISATEUR

#### ⚠ AVERTISSEMENT Lire l'ensemble des mises en garde et consignes de sécurité ainsi que les illustrations et les caractéristiques techniques fournies avec cet outil électrique.

Le non-respect de toutes les instructions répertoriées ci-dessous peut entraîner un choc électrique, un incendie et/ou un grave accident corporel.

**Conserver l'ensemble des mises en garde et consignes pour pouvoir les consulter ultérieurement.**

#### ⚠ AVERTISSEMENT Toutes les réglementations locales de sécurité en matière d'installation, d'utilisation et de réparation doivent toujours être respectées.

### Utilisation prévue

- Pour utilisation professionnelle uniquement.
- Ce produit et ses accessoires ne doivent être modifiés en aucune manière.
- Ne pas utiliser ce produit s'il a subi des dégâts.
- Si les vignettes apposées sur le produit pour indiquer les données du produit ou des mises en garde ne sont plus lisibles ou se décollent, les remplacer sans attendre.

- Le produit ne doit être installé que par un personnel qualifié, dans un environnement industriel.

### Utilisation prévue

Ce produit est destiné à être utilisé uniquement par des adultes qui ont lu et compris les instructions et les avertissements de ce manuel et peuvent être considérés comme responsables de leurs actes.

- Ce produit est conçu pour poser et déposer des fixations filetées dans le bois, le métal ou le plastique.
- N'utilisez pas le produit à d'autres fins que celles décrites ci-dessus.
- Utilisation en intérieur uniquement.
- Aucune autre utilisation n'est autorisée.

Utilisez uniquement les blocs-batteries et les chargeurs suivants.

RC20BA20 : 8951000467

RC20BA40 : 8951000468

RC20BA60 : 8951000469

Les blocs-batteries doivent être chargés uniquement avec les chargeurs de batterie Rodcraft.

RC20CHEU : 8951000470

RC20CHUK : 8951000471

Pour des instructions complètes, reportez-vous aux informations de sécurité du chargeur de bloc-batterie (documentation n° 8956002313).

### Mises en garde générales de sécurité concernant les outils électriques

**⚠ Avertissement** Lire l'ensemble des mises en garde et consignes de sécurité ainsi que les illustrations et les caractéristiques techniques fournies avec ce produit.

Le non-respect de toutes les instructions répertoriées ci-dessous peut entraîner un choc électrique, un incendie, des dégâts matériels ou un grave accident corporel.

**Conserver l'ensemble des mises en garde et consignes pour pouvoir les consulter ultérieurement.**

Le terme « outil électrique » dans les mises en garde fait référence à votre outil électroportatif fonctionnant sur secteur (à fil) ou sur batterie (sans fil).

#### Sécurité de la zone de travail

- **La zone de travail doit toujours être propre et bien éclairée.** Les endroits encombrés ou mal éclairés sont propices aux accidents.
- **Ne pas faire fonctionner des outils électriques dans des atmosphères explosibles, notamment en présence de liquides, gaz ou poussières inflammables.** Les outils électriques génèrent des étincelles qui peuvent mettre le feu aux poussières ou aux fumées.
- **Tenir les spectateurs et les enfants à distance lors de l'utilisation d'un outil électrique.** Les distractions peuvent causer une perte de contrôle.

#### Sécurité électrique

- **Éviter tout contact corporel avec des objets mis à la terre tels que les tuyauteries, radiateurs, cuisinières et réfrigérateurs.** Les risques de choc électrique augmentent lorsque le corps est en contact avec la terre.
- **Ne pas exposer les outils électriques à la pluie ou à l'humidité.** En entrant dans un outil électrique, l'eau accroîtra le risque de choc électrique.

#### Sécurité personnelle

- **Soyez vigilant, regardez ce que vous faites et faites preuve de bon sens lorsque vous utilisez un outil électrique. Ne pas utiliser un outil électrique lorsque vous êtes fatigué ou sous l'influence de drogues, d'alcool ou de médicaments.** Un moment d'inattention pendant l'utilisation d'outils électriques peut entraîner des accidents corporels graves.
- **Porter des équipements de protection individuelle. Toujours porter des protections oculaires.** Le port d'équipements de protection adaptés aux conditions de travail tels que masque antipoussières, chaussures de sécurité antidérapantes, casque de chantier ou protections auditives réduira le risque d'accidents corporels.
- **Prévenir tout démarrage inopiné. S'assurer que l'interrupteur est en position d'arrêt avant de raccorder l'outil à une source d'alimentation ou à un bloc-batterie, de le prendre en main ou de le transporter.** Le fait de transporter des outils électriques en ayant le doigt sur l'interrupteur ou la mise sous tension d'outils électriques dont l'interrupteur est en position de marche sont propices aux accidents.
- **Retirer toute clé de réglage avant de mettre l'outil électrique sous tension.** Une clé laissée montée sur une pièce en rotation de l'outil électrique peut entraîner des accidents corporels.
- **N'essayez pas d'atteindre des éléments trop éloignés. Ayez de bons appuis et un bon équilibre à tout moment.** Ceci permet une meilleure maîtrise de l'outil électrique dans les situations inattendues.
- **Habillez-vous de façon adéquate. Ne jamais porter de vêtements amples ou de bijoux. Garder les cheveux et les vêtements loin des pièces mobiles.** Les vêtements amples, bijoux ou cheveux longs peuvent se prendre dans les pièces en mouvement.
- **Si des dispositifs permettant de raccorder l'outil à des installations d'extraction et de séparation des poussières sont prévus, veillez à les raccorder et à les utiliser comme il convient.** L'utilisation d'un système de dépoussiérage peut réduire les dangers liés aux poussières.
- **Veiller à ne pas devenir suffisant et à ne pas ignorer les principes de sécurité des outils sous l'effet de la familiarisation acquise à la suite d'une utilisation fréquente de ces outils.** Un acte imprudent peut provoquer un accident grave en une fraction de seconde.
- **Tenir l'outil électrique par ses surfaces de préhension isolées ; en cours d'utilisation, la fixation peut en effet toucher un câblage caché.** Les fixations touchant un fil sous tension peuvent mettre les parties métalliques nues de l'outil électrique sous tension et pourraient électrocuter l'opérateur.

### Utilisation et entretien d'un outil énergisé

- **Ne pas forcer l'outil énergisé. Utiliser l'outil électrique adapté au travail à effectuer.** Un outil énergisé adapté fournira un travail de meilleure qualité et plus sûr à la capacité nominale pour laquelle il est conçu.
- **Ne pas utiliser l'outil électrique si l'interrupteur ne permet pas de le mettre sous tension et hors tension.** Tout outil énergisé qui ne peut pas être commandé par l'interrupteur est dangereux et doit être réparé.
- **Débrancher la fiche de la source d'alimentation ou retirer le bloc-batterie, si possible, de l'outil électrique avant de procéder à des réglages, de changer d'accessoire ou de ranger l'outil.** Ces mesures de sécurité préventive réduisent les risques de démarrage accidentel de l'outil énergisé.
- **Ranger les outils électriques non utilisés hors de portée des enfants et ne pas laisser des personnes utiliser un outil électrique si elles ne sont pas familiarisées avec celui-ci ou avec les présentes instructions.** Les outils énergisés sont dangereux lorsqu'ils sont entre les mains d'utilisateurs non formés à leur utilisation.
- **Entretenir les outils électriques et les accessoires. Vérifier l'absence de pièces mobiles mal alignées ou grippées, de pièces brisées ou de toute autre situation susceptible de nuire au bon fonctionnement de l'outil électrique. Si l'outil électrique est endommagé, le faire réparer avant de l'utiliser.** De nombreux accidents sont dus à des outils énergisés mal entretenus.
- **Garder les outils de coupe affûtés et propres.** Des outils de coupe correctement entretenus avec des arêtes tranchantes risquent moins de se coincer et sont plus faciles à maîtriser.
- **Utiliser l'outil électrique, les accessoires et embouts, etc., conformément aux présentes instructions, en prenant en compte les conditions de travail et le travail à effectuer.** L'utilisation de l'outil énergisé pour des opérations différentes de celles pour lesquelles il est prévu pourrait engendrer une situation de danger.
- **Garder les poignées et les surfaces de préhension sèches, propres et exemptes de toute trace d'huile ou de graisse.** Des poignées et des surfaces de préhension glissantes ne permettent pas une manipulation sans danger et une maîtrise de l'outil dans les situations inattendues.

### Utilisation et entretien d'un outil avec batterie

- **Recharger exclusivement avec le chargeur préconisé par le fabricant.** Un chargeur qui convient à un type de bloc-batterie donné peut créer un risque d'incendie s'il est utilisé avec un autre type de bloc-batterie.
- **Utiliser les outils énergisés uniquement avec les blocs-batteries spécifiquement prévus à cet effet.** L'utilisation de tout autre bloc-batterie peut créer un risque d'accidents corporels et d'incendie.
- **Tenir les blocs-batteries non utilisés à distance des autres objets métalliques tels que les trombones, pièces de monnaie, clés, clous, vis ou autres petits objets en métal susceptibles d'établir une connexion entre les bornes.** La mise en court-circuit des bornes de batterie peut provoquer des brûlures ou un incendie.

- **En cas d'utilisation excessive, du liquide peut s'échapper de la batterie. Éviter tout contact. En cas de contact accidentel, rincer à l'eau. En cas de projection de liquide dans les yeux, consulter également un médecin.** Le liquide qui s'échappe de la batterie peut provoquer irritation et brûlures.
- **Ne pas utiliser un bloc-batterie ou un outil endommagé ou modifié.** Les batteries endommagées ou modifiées peuvent présenter un comportement imprévisible entraînant un incendie, une explosion ou un risque de blessures.
- **Ne pas exposer un bloc-batterie ou un outil au feu ou à une température excessive.** L'exposition au feu ou à une température de plus de 130 °C peut provoquer une explosion.
- **Suivre l'ensemble des instructions de mise en charge et ne pas charger le bloc-batterie ou l'outil en dehors de la plage de température préconisée dans la notice.** Une mise en charge impropre ou à une température en dehors de la plage préconisée peut endommager la batterie et accroître le risque d'incendie.

### Maintenance

- **Faire entretenir l'outil énergisé par un réparateur qualifié, en utilisant uniquement des pièces de rechange d'origine.** Ceci permettra de maintenir la sécurité de l'outil énergisé.
- **Ne jamais essayer de réparer des blocs-batteries endommagées.** L'entretien des blocs-batteries doit être confié uniquement au fabricant ou à des prestataires agréés.

## Instructions spécifiques au produit

### Utilisation de l'outil

1. Utiliser une douille appropriée avec l'outil.
2. Régler le mode correct à l'aide du bouton de réglage de la vitesse (2).
3. Choisir le bon sens en utilisant le bouton de marche arrière (8).
4. Positionner l'outil en suivant les instructions de sécurité décrites dans ce document.
5. Maintenir la gâchette enfoncée (7).
6. Maintenir la gâchette enfoncée (7) jusqu'à la fin de l'opération.

### AVERTISSEMENT Risques de blessure

Au fur et à mesure que la force de réaction augmente proportionnellement au couple de serrage, il existe un risque de blessure causé par un comportement inattendu de l'outil.

- ▶ S'assurer que l'outil est en parfait état de fonctionnement et que le système est programmé correctement.

### Batterie

Les blocs-batteries qui ont été inutilisés pendant un certain temps doivent être rechargés avant utilisation. Les températures supérieures à 50°C (122°F) réduisent la performance du bloc-batterie. Éviter une exposition prolongée à

la chaleur ou à la lumière du soleil (risque de surchauffe). Les contacts des chargeurs et blocs-batteries doivent être toujours propres.

Pour une durée de vie optimale, les blocs-batteries doivent être complètement chargés après utilisation. Pour obtenir la vie utile la plus longue possible, retirer le bloc-batterie du chargeur dès que la batterie est entièrement rechargée.

Le bloc-batterie a une protection contre les surcharges qui le protège contre les surcharges et aide à assurer une longue durée de vie. Sous des contraintes extrêmes, l'électronique de la batterie éteint automatiquement le produit. Pour redémarrer, éteignez le produit, puis rallumez-le. Si le produit ne redémarre pas, le bloc-batterie peut s'être complètement déchargé. Dans ce cas, il doit être rechargé dans le chargeur de batterie.

### Consignes de maintenance

- **Respectez les réglementations environnementales locales en vigueur pour gérer et éliminer tous les composants en toute sécurité.**
- Les travaux de maintenance et de réparation doivent être effectués par un personnel qualifié à l'aide de pièces de rechange d'origine. Prendre contact avec le fabricant ou le revendeur agréé le plus proche pour obtenir des conseils techniques ou pour tout besoin de pièces de rechange.
- Veillez à toujours débrancher la machine de la source d'énergie pour éviter toute mise en fonctionnement accidentelle.
- Démontez et contrôlez l'outil tous les trois (3) mois si vous l'utilisez quotidiennement. Remplacez les pièces usées ou endommagées.
- Ne jamais laisser des liquides de frein, de l'essence, des produits à base de pétrole, des huiles pénétrantes, etc. entrer en contact avec des pièces en plastique. Les produits chimiques peuvent endommager, affaiblir ou détruire le plastique, ce qui pourrait entraîner des blessures graves.
- Évitez d'utiliser des solvants lors du nettoyage de pièces en plastique. La plupart des plastiques sont susceptibles d'être endommagés par divers types de solvants commerciaux et peuvent être endommagés par leur utilisation. Utilisez des vêtements propres pour enlever la saleté, la poussière, l'huile, la graisse, etc.

### Élimination

- L'élimination de ce matériel doit se faire conformément à la législation en vigueur dans le pays concerné.
- Tous les appareils endommagés, sévèrement usés ou ne fonctionnant pas correctement **DOIVENT ÊTRE MIS HORS SERVICE.**
- Seuls les membres de l'équipe de maintenance technique sont habilités à effectuer des réparations.

### Règles de sécurité supplémentaires pour les visseuses et boulonneuses

#### Risques de happement

- **Tenez-vous à l'écart de la broche en rotation.** Il existe un risque d'étranglement, d'arrachement du cuir chevelu ou de lacérations si les vêtements amples, gants, bijoux, articles portés autour du cou et cheveux ne sont pas tenus à distance de l'outil et des accessoires.
- **Ne pas porter de gants trop grands ni de gants présentant des doigts coupés ou effilochés.** Les gants peuvent être happés par la broche d'entraînement tournante, avec un risque de blessure ou de fracture des doigts.
- **Les douilles et rallonges d'entraînement en rotation peuvent facilement happer les gants à revêtement caoutchouc ou à renfort métallique.**
- **Ne jamais tenir la broche d'entraînement, la douille ou la rallonge.**

#### Risques pendant l'utilisation

- **Les utilisateurs et le personnel d'entretien doivent être physiquement capable de manier l'outil qui peut être encombrant, lourd et puissant.**
- **Tenir l'outil correctement : se tenir prêt à contrecarrer des mouvements normaux ou brusques.** Garder les deux mains libres pour maîtriser l'outil.
- **Immédiatement après un réglage de l'embrayage, vérifier le bon fonctionnement de l'outil.**
- **Ne pas utiliser un outil usé.** L'embrayage pourrait ne pas fonctionner et causer une rotation soudaine de la poignée de l'outil.
- **Toujours soutenir fermement la poignée de l'outil, dans le sens contraire à la rotation de la broche, pour réduire l'effet des réactions soudaines au serrage final et au desserrage initial.**
- **Si possible, utiliser un bras de suspension pour absorber le couple de réaction. Si cela n'est pas possible, il est recommandé d'équiper les outils droits et à poignée revolver de poignées latérales ; pour les boulonneuses à renvoi d'angle, il est conseillé d'utiliser des tocs de réaction.** Dans tous les cas, il est recommandé d'utiliser un moyen quelconque pour absorber le couple de réaction au-dessus de 4 Nm pour les outils droits, au-dessus de 10 Nm pour les outils à poignée revolver et au-dessus de 60 Nm pour les boulonneuses à renvoi d'angle.

#### Risques de projections

- **Portez toujours une protection des yeux et du visage résistante aux chocs pour travailler avec l'outil ou à proximité, pour les réparations ou l'entretien de l'outil ou pour changer des accessoires.**
- **Veillez à ce que toutes les personnes se trouvant à proximité portent une protection des yeux et du visage résistante aux chocs.** Même de petits projectiles peuvent abîmer les yeux et provoquer une cécité.
- **Si les assemblages sont à serrer à un couple spécifique, vérifier le serrage avec un couplemètre.** Les clés dynamométriques « à dé clic » ne signalent pas les couples trop élevés ni les situations dangereuses. Les fixations trop ou pas assez serrées peuvent se rompre, se desserrer

ou se détacher, entraînant de graves accidents. Les assemblages peuvent constituer des projectiles lorsqu'ils ne sont plus fixés.

- **Ne pas utiliser de douilles pour clés manuelles.** Utiliser uniquement des douilles pour boulonneuses ou clés à chocs en bon état.
- **Ne modifiez en aucun cas l'outil ou ses accessoires.**

**Dangers liés aux mouvements répétitifs**

- **Lorsqu'il utilise un outil motorisé pour effectuer un travail, l'opérateur peut ressentir un inconfort au niveau des mains, des bras, des épaules, du cou ou d'autres parties du corps.**
- **Adopter une posture confortable tout en gardant de bons appuis et en évitant les mauvaises positions ou les positions déséquilibrées.** Changer de posture pendant la réalisation de tâches prolongées peut contribuer à éviter l'inconfort et la fatigue.
- **Ne pas ignorer les symptômes tels qu'un inconfort persistant ou récurrent, des douleurs, élancements, maux divers, fourmillements, engourdissements, une sensation de brûlure ou une raideur.** Cesser d'utiliser l'outil, avertir l'employeur et consulter un médecin.

**Dangers liés au lieu de travail**

- **Les glissades, trébuchements ou chutes sont une cause majeure d'accidents corporels graves voire mortels.** Les espaces et les établis encombrés sont propices aux accidents.
- **Ne pas utiliser l'outil dans un espace restreint.** Attention au risque d'écrasement des mains entre l'outil et la pièce, surtout au dévissage.
- **Des niveaux sonores élevés peuvent provoquer une perte d'acuité auditive irréversible.** Utiliser les protections auditives recommandées par l'employeur ou par la réglementation en matière d'hygiène et de sécurité au travail.
- **S'assurer que la pièce à travailler est solidement fixée.**
- **Des gestes répétitifs, de mauvaises positions et une exposition aux vibrations peuvent avoir des effets nuisibles sur les membres supérieurs.** Si des sensations d'engourdissement, de fourmillement, des douleurs ou une décoloration de la peau apparaissent, cesser immédiatement d'utiliser l'outil et consulter un médecin.
- **Procéder avec précautions dans un environnement non familier.** Soyez toujours conscient des dangers potentiels créés par votre activité. Cet outil n'est pas isolé en cas de contact avec une source d'alimentation électrique.

**Panneaux et autocollants**

Des vignettes et autocollants contenant des informations importantes pour la sécurité des personnes et l'entretien du matériel sont apposés sur le produit. Les vignettes et autocollants doivent toujours être faciles à lire. On pourra commander de nouvelles vignettes et de nouveaux autocollants à l'aide de la nomenclature des pièces de rechange.



s011050

**Symboles**



Retirer le pack de batterie avant de commencer le travail sur la machine.



Lire attentivement les instructions avant de démarrer la machine.



Ne pas jeter les outils électriques avec les ordures ménagères. Les outils électriques et équipements électroniques ayant atteint la fin de leur vie utile doivent être collectés séparément et traités par une installation de recyclage respectueuse de l'environnement. Contacter les autorités locales ou le revendeur pour avoir des conseils sur le recyclage et connaître les points de collecte.



Toujours porter des lunettes de sécurité pendant l'utilisation de la machine.

$n_0$

Pas de vitesse de charge.

V

Volts

$\text{min}^{-1}$

par minute



Courant continu



ATTENTION ! AVERTISSEMENT ! DANGER !

**Informations utiles**

**Pays d'origine**

People's Republic of China

**Site web**

Des informations à propos de nos Produits, Accessoires, Pièces de rechange et Documentation sont disponibles sur le site Web de Rodcraft.

Veuillez consulter : [www.rodcraft.com](http://www.rodcraft.com).

**Fiche de données de sécurité**

Les Fiches de données de sécurité décrivent les produits chimiques vendus par Rodcraft.

Veuillez consulter le site Web Rodcraft pour plus d'informations [qr.cp.com/sds](http://qr.cp.com/sds).

**Copyright**

© Copyright 2023, Desoutter GmbH, Edmund-Seng-Str. 3-5, 63477 Maintal, Germany

Tous droits réservés. Toute utilisation non autorisée ou copie de tout ou partie du présent document est interdite. Ceci s'applique plus particulièrement aux marques de commerce, dénominations de modèles, références et schémas. Utiliser exclusivement les pièces autorisées. Tout dommage ou dysfonctionnement causé par l'utilisation d'une pièce non autorisée ne sera pas couvert par la garantie du fabricant ou la responsabilité du fait des produits.

## Technische Daten

### Produktbeschreibung

Siehe *Schema 2*.

1	Weicher Handgriff
2	Taste zur Drehzahlregelung
3	Akku
4	Taste des Akkupacks
5	Arbeitsleuchte
6	Anzeigeleuchte für Drehzahlanpassung
7	Auslöseschalter
8	Umschaltknopf
9	Vierkantansatz
10	Aluminiumabdeckung

## Erklärungen

### EU-Konformitätserklärung

Wir, **Desoutter GmbH**, Edmund-Seng-Str. 3-5, 63477 Maintal, Germany, erklären hiermit in alleiniger Verantwortung, dass dieses Produkt (mit Bezeichnung, Typ und Seriennummer laut dem Deckblatt) die Anforderungen der folgenden Richtlinie(n) erfüllt:

**2006/42/EC; 2011/65/EU; 2014/30/EU**

Angewandte harmonisierte Normen:

**EN 62841-1:2015/A11:2022; EN 62841-2-2:2014; EN IEC 55014-1:2021; EN IEC 55014-2:2021; EN 62233:2008**

Behörden können relevante technische Informationen anfordern von:

Pascal Roussy, R&D Manager, Ets Georges Renault, 38 rue Bobby Sands, BP10273 44818 Saint Herblain, France

**Saint-Herblain, 2023/08/28**

**Pascal ROUSSY**



Unterschrift

### Statement zur Geräusch & Vibrations-Deklaration

Beschreibung	RC9067	RC9077	RC9087
Schalldruck (K=3) (dB(A))	92,3	88,4	88,4
Schalleistungspegel (K=3) (dB(A))	100,3	96,4	96,4
Vibration (K=1,5) (m/s <sup>2</sup> )	5,45	8,15	8,15

Schalldruck, Schalleistung und Vibrationswerte entsprechen EN 62841-2-2:2014 + AC:2015.

Die deklarierten Werte wurden durch Labortests gemäß den genannten Normen ermittelt und eignen sich zum Vergleich mit den deklarierten Werten anderer Werkzeuge, die denselben Normen entsprechend geprüft wurden. Der Vibrationsemissionspegel kann für eine vorläufige Expositionsbewertung verwendet werden. Diese angegebenen Werte gelten nicht für den Einsatz bei Risikoeinschätzungen und Werte

an individuellen Arbeitsstationen können höher liegen. Die tatsächlichen Expositionswerte und Schädigungsrisiken für einzelne Benutzer sind von Fall zu Fall unterschiedlich und hängen von der jeweiligen Arbeitsweise des Benutzers, vom Werkstück und von der Beschaffenheit des Arbeitsplatzes sowie von der Expositionsdauer und der körperlichen Verfassung des Benutzers ab.

Wir, **Desoutter GmbH**, können nicht für Folgen, die sich aus der Verwendung der von uns angegebenen Werte statt der realen Belastungswerte für die in einer Arbeitsplatzsituation durchgeführte Risikoeinschätzung ergeben, haftbar gemacht werden, da wir auf diese keinen Einfluss haben.

Dieses Werkzeug kann bei nicht fachgerechter Anwendung ein Hand-Arm-Vibrationssyndrom verursachen. Einen EU-Leitfaden, der sich mit Hand-Arm-Vibration befasst, finden Sie unter <http://www.pneurop.eu/index.php> und durch Auswahl von „Werkzeuge“ und anschließend „Gesetzgebung“.

Wir empfehlen ein Programm zur Gesundheitsüberwachung, durch welches frühe Symptome erkannt werden können, welche sich auf die Vibrationsexposition zurückführen lassen, sodass die Abläufe der Maßnahmen daraufhin entsprechend geändert werden können, um zukünftige Beeinträchtigungen zu vermeiden.

- ⓘ Wenn dieses Gerät für Einbauanwendungen vorgesehen ist:  
Angaben zur Geräuschemission dienen als Richtwert für den Gerätebauer. Für das komplette Gerät geltende Geräusch- und Vibrationsemissionsdaten sollten in der zum Gerät gehörenden Bedienungsanleitung aufgeführt werden.

### Regionale Anforderungen

#### ⚠ WARNUNG

Dieses Produkt kann Sie Chemikalien, einschließlich Blei, aussetzen, was nach Kenntnis des Bundesstaats Kalifornien zu Krebserkrankungen und Geburtsfehlern oder sonstigen Schäden am Fortpflanzungssystem führen kann. Weitere Informationen finden Sie unter

<https://www.p65warnings.ca.gov/>

### Informationen zu Artikel 33 in REACH

Die Verordnung (EG) Nr. 1907/2006 des Europäischen Parlaments und des Rates zur Registrierung, Bewertung, Zulassung und Beschränkung chemischer Stoffe (REACH) definiert unter anderem Anforderungen an die Kommunikation innerhalb der Lieferkette. Die Informationspflicht gilt auch für Produkte, die sogenannte besonders besorgniserregende Stoffe enthalten (die „Kandidatenliste“). Am 27. Juni 2018 wurde Blei (CAS Nr. 7439-92-1) in die Kandidatenliste aufgenommen.

Gemäß den oben genannten Verordnungen und Hinweise informieren wir Sie hiermit darüber, dass bestimmte elektrische Komponenten des Produkts Blei enthalten können. Dies steht im Einklang mit den geltenden Rechtsvorschriften für Stoffbeschränkungen und basiert auf legalen Ausnahmen in der RoHS-Richtlinie (2011/65/EU). Bei normalem Gebrauch treten aus dem Produkt kein Blei oder Bleiderivate aus und die Bleikonzentration liegt weit unterhalb des geltenden

Grenzwerts. Beachten Sie am Ende der Produktlebensdauer die vor Ort geltenden Bestimmungen zur Entsorgung von Blei.

## Sicherheit

NICHT WEGWERFEN - AN BENUTZER WEITERLEITEN

**⚠️ WARNUNG Lesen Sie alle mit diesem Elektrowerkzeug bereitgestellten Sicherheitshinweise, Anweisungen, Abbildungen und Spezifikationen.**

Eine Nichtbeachtung der Anweisungen kann zu Stromschlägen, Bränden und/oder ernsthaften Verletzungen führen.

**Bewahren Sie alle Warnhinweise und Anweisungen zur künftigen Verwendung auf.**

**⚠️ WARNUNG Alle örtlichen Vorschriften, die Installation, Bedienung und Wartung betreffen, müssen immer beachtet werden.**

## Nutzungserklärung

- Nur zum Gebrauch durch ausgebildete Fachkräfte.
- Dieses Produkt und sein Zubehör dürfen in keinem Fall modifiziert werden.
- Benutzen Sie dieses Produkt nicht, wenn es beschädigt ist.
- Wenn die Produktdatenschilder oder Gefahrenwarnschilder unleserlich werden oder sich ablösen, sind diese sofort zu ersetzen.
- Das Produkt darf nur von geschulten Fachkräften und nur in Industrieumgebungen installiert, bedient und gewartet werden.

## Vorgesehener Verwendungszweck

Das Produkt darf nur von Erwachsenen verwendet werden, die die Anweisungen und Warnungen in diesem Handbuch gelesen und verstanden haben und die für ihr eigenes Handeln verantwortlich gemacht werden können.

- Dieses Produkt ist für das Einsetzen und Entfernen von Gewindeschrauben in Holz, Metall oder Kunststoff konzipiert.
- Verwenden Sie das Produkt nicht für andere als die oben beschriebenen Zwecke.
- Nur zur Verwendung in Innenräumen.
- Sonstige Verwendungen sind unzulässig.

Verwenden Sie ausschließlich die folgenden Akkupacks und Ladegeräte.

RC20BA20: 8951000467

RC20BA40: 8951000468

RC20BA60: 8951000469

Akkupacks dürfen nur mit Rodcraft-Akkuladegeräten geladen werden.

RC20CHEU: 8951000470

RC20CHUK: 8951000471

Vollständige Anleitungen finden Sie in den Sicherheitshinweisen des Akkupack-Ladegeräts (Drucksache Nr. 8956002313).

## Allgemeine Sicherheitshinweise für das Arbeiten mit Elektrowerkzeugen

**⚠️ WARNUNG Lesen Sie alle mit diesem Produkt gelieferten Sicherheitshinweise, Anweisungen, Abbildungen und Spezifikationen.**

Eine Nichtbeachtung der Anweisungen kann zu Stromschlägen, Bränden, Sachschäden und/oder ernsthaften Verletzungen führen.

**Bewahren Sie alle Warnhinweise und Anweisungen zur künftigen Verwendung auf.**

Der in den Warnhinweisen verwendete Begriff „Elektrowerkzeug“ bezieht sich auf Ihr netzbetriebenes (mit Kabel versehenes) oder batteriebetriebenes (schnurloses) Elektrowerkzeug.

### Sicherheit am Arbeitsplatz

- **Halten Sie Ihren Arbeitsbereich stets sauber und sorgen Sie für eine gute Beleuchtung.** Unaufgeräumte und unausgeleuchtete Bereiche sind potenzielle Gefahrenquellen.
- **Benutzen Sie die Werkzeuge nicht in explosionsgefährdeten Umgebungen, z. B. in der Nähe entflammbarer Flüssigkeiten, explosiver Gase oder in staubigen Bereichen.** Elektrowerkzeuge erzeugen Funken, die die Gase oder Partikel entzünden können.
- **Halten Sie Kinder und Umstehende während der Benutzung eines Werkzeugs von Ihrem Arbeitsbereich fern.** Ablenkungen und Unachtsamkeit können zu Unfällen führen.

### Elektrische Sicherheit

- **Vermeiden Sie Körperkontakt mit geerdeten Oberflächen wie Rohren, Heizkörpern, Kühlschränken und Herden.** Es besteht erhöhte Stromschlaggefahr, wenn Ihr Körper geerdet ist.
- **Setzen Sie die Werkzeuge niemals Regen, Wasser oder Feuchtigkeit aus.** Wasser im Gehäuseinneren erhöht die Stromschlaggefahr.

### Personensicherheit

- **Seien Sie beim Arbeiten mit den Werkzeugen stets aufmerksam und achten Sie auf Ihre Handlungen. Benutzen Sie dabei Ihren gesunden Menschenverstand. Verwenden Sie das Elektrowerkzeug nie in ermüdetem Zustand oder unter dem Einfluss von Drogen, Alkohol oder Medikamenten.** Eine kleine Unachtsamkeit bei der Werkzeugverwendung kann bereits zu schweren Verletzungen führen.
- **Verwenden Sie Ihre persönliche Schutzausrüstung. Tragen Sie grundsätzlich eine Schutzbrille.** Teile der Schutzausrüstung wie Staubmaske, rutschfeste Sicherheitsschuhe, ein Helm oder der Gehörschutz reduzieren unter den entsprechenden Umständen die Gefahr von Personenschäden.
- **Verhindern Sie unbeabsichtigtes Starten des Werkzeugs. Vergewissern Sie sich, dass sich der Schalter in der Stellung „Aus“ befindet, bevor Sie das**



**Werkzeug an die Stromversorgung und/oder den Akku anschließen, es aufheben oder tragen.** Das Tragen von Werkzeugen mit dem Finger auf dem Schalter oder das Einstecken von eingeschalteten Werkzeugen kann leicht zu Unfällen führen.

- **Entfernen Sie vor dem Einschalten alle Einstellschlüssel oder Werkzeuge.** Schraubenschlüssel oder ähnliche Komponenten, die mit einem rotierenden Werkzeugteil verbunden sind, können Verletzungen verursachen.
- **Gehen Sie nah genug an die zu verschraubende Verbindung heran. Sorgen Sie für festen Stand und gute Balance.** Dadurch haben Sie in unerwarteten Situationen eine bessere Kontrolle über das Werkzeug.
- **Tragen Sie geeignete Arbeitskleidung, vermeiden Sie weite Kleidung und Schmuck. Haare und Kleidung von beweglichen Teilen fernhalten.** Weite Kleidung, Schmuck oder lange Haare können sich darin verfangen.
- **Wurden Geräte zum Anschließen von Absaugungen oder Auffangvorrichtungen mitgeliefert, vergewissern Sie sich, dass diese angeschlossen sind und korrekt verwendet werden.** Der Einsatz von Entstaubern kann Gefahren im Zusammenhang mit Staub reduzieren.
- **Ignorieren Sie niemals die Sicherheitsprinzipien, nur weil Sie aufgrund eines häufigen Gebrauchs des Werkzeugs meinen, dass Sie das Werkzeug gewohnt sind.** Eine unvorsichtige Handhabung kann innerhalb eines Bruchteils einer Sekunde schwere Verletzungen verursachen.
- **Wird unter Bedingungen gearbeitet, bei denen die Schraubvorrichtung mit verdeckt liegenden Leitungen in Berührung kommen kann, halten Sie das Elektrowerkzeug an den isolierten Greifflächen.** Der Kontakt mit einem Strom führenden Kabel kann diesen an freiliegende Metallteile des Elektrowerkzeugs weiterleiten und dem Bediener einen Stromschlag versetzen.

#### Sorgfältiger Umgang und Gebrauch von Elektrowerkzeugen

- **Wenden Sie beim Umgang mit dem Elektrowerkzeug keine Gewalt an. Verwenden Sie das passende Elektrowerkzeug für die jeweilige Anwendung.** Das korrekte Elektrowerkzeug führt Arbeiten besser und sicherer aus als ein Werkzeug, das nicht für diese Aufgabe ausgelegt ist.
- **Verwenden Sie nie ein Elektrowerkzeug, dessen Ein/Aus-Schalter nicht ordnungsgemäß funktioniert.** Jedes Elektrowerkzeug, das nicht über den Schalter kontrolliert werden kann, stellt eine Gefahrenquelle dar und muss repariert werden.
- **Trennen Sie den Stecker vom Netz und/oder dem Akku (falls abnehmbar), bevor Sie Einstellungen am Werkzeug vornehmen, Zubehör austauschen oder das Gerät lagern.** Diese Sicherheitsvorkehrungen verhindern ein unabsichtliches Einschalten des Elektrowerkzeugs.
- **Lagern Sie Werkzeuge außerhalb der Reichweite von Kindern, und lassen Sie nicht zu, dass Personen, die mit dem Werkzeug oder diesen Anweisungen nicht vertraut sind, mit dem Elektrowerkzeug arbeiten.** Elektrowerkzeuge stellen in Händen unerfahrener Benutzer eine Gefahr dar.

- **Wartung von Elektrowerkzeugen und Zubehör. Überprüfen Sie das Werkzeug auf falsche Justierung, verklemmte bewegliche und abgebrochene Teile sowie sonstige Fehler, die die Funktionsweise des Elektrowerkzeugs beeinträchtigen könnten. Lassen Sie das Elektrowerkzeug bei Beschädigungen reparieren.** Viele Unfälle sind auf schlecht gewartete Elektrowerkzeuge zurückzuführen.
- **Halten Sie Schneidwerkzeuge scharf und sauber.** Korrekt gewartete Werkzeuge mit scharfen Schneiden bleiben weniger häufig hängen und sind leichter zu kontrollieren.
- **Setzen Sie das Elektrowerkzeug, das Zubehör und die Werkzeugeinsätze etc. entsprechend diesen Anweisungen ein. Beachten Sie dabei die Arbeitsbedingungen und die durchzuführenden Arbeiten.** Nicht bestimmungsgerechter Gebrauch des Elektrowerkzeugs kann zu gefährlichen Situationen führen.
- **Halten Sie Griffe und Greifflächen trocken, sauber und frei von Öl und Fett.** Rutschige Griffe und Greifflächen erlauben keine sichere Handhabung und Kontrolle des Werkzeugs in unerwarteten Situationen.

#### Sorgfältiger Umgang und Gebrauch von Akkuwerkzeugen

- **Das Werkzeug nur mit dem vom Hersteller spezifizierten Ladegerät aufladen.** Wenn ein Ladegerät, das sich für eine bestimmte Art von Akkus eignet, mit einem anderen Akkupack verwendet wird, kann dies u. U. zu einem Brandrisiko führen.
- **Elektrowerkzeuge nur mit speziell hierfür vorgesehenen Akkupacks verwenden.** Der Gebrauch von anderen Akkupacks kann zu Verletzungen und Brandgefahr führen.
- **Nicht verwendete Akkupacks von Büroklammern, Münzen, Schlüsseln, Nägeln, Schrauben und anderen kleinen Metallgegenständen fernhalten, die eine Überbrückung der Kontakte verursachen könnten.** Ein Kurzschluss zwischen den Akkukontakten kann zu Verbrennungen oder Feuer führen.
- **Bei falscher Anwendung kann Flüssigkeit aus dem Akku austreten. Einen Kontakt damit vermeiden. Bei einem versehentlichen Kontakt mit Wasser abspülen. Wenn die Flüssigkeit in die Augen kommt, zusätzlich ärztliche Hilfe aufsuchen.** Austretende Akkuflüssigkeit kann zu Hautreizungen oder Verbrennungen führen.
- **Verwenden Sie keine Akkus oder Werkzeuge, die beschädigt sind oder modifiziert wurden.** Beschädigte oder modifizierte Akkus können ein unvorhersehbares Verhalten aufweisen, wodurch Brände, Explosionen und Verletzungen verursacht werden können.
- **Setzen Sie die Akkus und Werkzeuge keinem Feuer oder hohen Temperaturen aus.** Die Einwirkung von Feuer oder Temperaturen über 130 °C können Explosionen verursachen.
- **Befolgen Sie alle Anweisungen zum Aufladen und laden Sie keine Akkus oder Werkzeuge außerhalb des in den Anweisungen angegebenen Temperaturbereichs auf.** Ein unsachgemäßes Aufladen oder bei Temperaturen außerhalb des angegebenen Bereichs kann den Akku beschädigen und das Brandrisiko erhöhen.

## Wartung

- **Die Wartung Ihres Elektrowerkzeugs darf nur von qualifizierten Technikern unter Verwendung identischer Ersatzteile durchgeführt werden.** Damit wird die fortwährende Sicherheit des Elektrowerkzeugs sichergestellt.
- **Warten Sie niemals beschädigte Akkus.** Die Wartung von Akkus darf nur vom Hersteller oder von autorisierten Dienstleistern durchgeführt werden.

## Produktspezifische Anweisungen

### Betrieb des Werkzeugs

1. Eine geeignete Stecknuss verwenden.
2. Stellen Sie mithilfe der Taste zur Drehzahlregelung (2) den korrekten Modus ein.
3. Wählen Sie mittels des Umschaltknopfs (8) die korrekte Richtung aus.
4. Positionieren Sie das Werkzeug gemäß den in diesem Dokument enthaltenen Sicherheitshinweisen.
5. Betätigen Sie den Auslöseschalter (7) und halten Sie diesen gedrückt.
6. Halten Sie den Auslöser (7) bis zum Ende des Vorgangs gedrückt.

### **WARNUNG Verletzungsgefahr**

Aufgrund des Anstiegs der resultierenden Kraft proportional zum Anzugsdrehmoment besteht die Gefahr schwerer Körperverletzungen des Bedieners infolge eines unerwarteten Verhaltens des Werkzeugs.

- ▶ Achten Sie darauf, dass das Werkzeug in einwandfreiem Zustand und das System korrekt programmiert ist.

## Akku

Akkupacks, welche für einige Zeit nicht verwendet wurden, sollten vor der Benutzung wieder aufgeladen werden. Temperaturen über 50 °C (122 °F) verringern die Leistung von Akkupacks. Vermeiden Sie es, die Akkus übermäßiger Hitze oder Sonneneinstrahlung auszusetzen (Überhitzungsgefahr).

Die Kontakte der Ladegeräte und Akkupacks müssen sauber gehalten werden.

Für eine optimale Lebensdauer müssen die Akkupacks nach der Verwendung vollständig geladen werden. Um eine höchstmögliche Akkulaufzeit zu erhalten, nehmen Sie den Akkupack aus dem Ladegerät, sobald er vollständig geladen ist.

Der Akku verfügt über einen Überlastschutz, der ihn vor Überlastung schützt und eine lange Lebensdauer gewährleistet. Bei extremer Belastung schaltet die Batterieelektronik das Produkt automatisch ab. Schalten Sie das Gerät zum Neustart aus und wieder ein. Wenn das Produkt sich nicht erneut starten lässt, hat sich der Akku möglicherweise vollständig entladen. In diesem Fall muss er im Ladegerät aufgeladen werden.

## Wartungsanweisungen

- **Befolgen Sie die örtlichen Umweltvorschriften zur sicheren Handhabung und Entsorgung aller Komponenten.**
- Wartungs- und Instandsetzungsarbeiten dürfen ausschließlich von qualifiziertem Personal und unter Verwendung von Original-Ersatzteilen durchgeführt werden. Wenden Sie sich an den Hersteller oder den nächsten Händler, wenn Sie Rat zum technischen Service oder Ersatzteile benötigen.
- Stets darauf achten, dass die Maschine von der Energiequelle getrennt ist, um ein ungewolltes Inbetriebsetzen zu vermeiden.
- Zerlegen und überprüfen Sie das Werkzeug alle drei Monate, wenn das Werkzeug jeden Tag benutzt wird. Schadhafte oder verschlissene Teile sind zu ersetzen.
- Lassen Sie Bremsflüssigkeiten, Benzin, Petroleumprodukte, eindringende Öle usw. niemals mit Kunststoffteilen in Berührung kommen. Chemikalien können das Plastik beschädigen, schwächen oder zerstören, was zu ernsthaften Verletzungen führen kann.
- Verwenden Sie keine Lösungsmittel zum Reinigen von Kunststoffteilen. Die meisten Kunststoffe sind anfällig für Schäden durch verschiedene kommerzielle Lösungsmittel und können durch ihre Verwendung beschädigt werden. Verwenden Sie saubere Kleidung, um Schmutz, Staub, Öl, Fett usw. zu entfernen.

## Entsorgung

- Bei der Entsorgung dieses Geräts müssen die gesetzlichen Vorschriften befolgt werden.
- Schadhafte, stark abgenutzte oder fehlerhaft funktionierende Geräte **MÜSSEN AUSSER BETRIEB GENOMMEN WERDEN.**
- Reparaturen nur durch technisches Wartungspersonal.

## Zusätzliche Sicherheitsregeln für Schraubendreher und -schlüssel

### Gefahren durch Verfangen

- **Halten Sie sich vom Drehantrieb fern.** Halten Sie weite Kleidung, Handschuhe, Schmuck, Krawatten, Halstücher und Haare vom Werkzeug und Zubehör fern. Eine Verwicklung kann zur Strangulierung, Skalpierung und/oder zu Schnittwunden führen.
- **Keine weiten Handschuhe oder Handschuhe tragen, bei denen die Fingerteile Risse aufweisen oder ausgefranst sind.** Handschuhe können sich in der umlaufenden Antriebsspindel verfangen, was dazu führen kann, dass Finger abgetrennt oder gebrochen werden.
- **Mit Gummi beschichtete oder metallverstärkte Handschuhe können sich leicht in umlaufenden Steckschlüsseln und Antriebsverlängerungen verfangen.**
- **Antrieb, Steckschlüssel oder Antriebsverlängerungen niemals halten.**

## Gefahren während des Betriebs

- **Bedien- und Wartungspersonal muss in der körperlichen Verfassung sein, um mit Größe, Gewicht und Leistung des Werkzeugs zu Rande zu kommen.**
- **Das Werkzeug korrekt halten; seien Sie bereit, normalen und plötzlichen Bewegungen entgegen zu wirken.** Haben Sie dazu beide Hände bereit.
- **Sofort nach Einstellung der Kupplung richtigen Betrieb überprüfen.**
- **Nicht im abgenutzten Zustand verwenden.** Wenn die Kupplung nicht arbeitet, kann eine plötzliche Drehung des Griffs erfolgen.
- **Den Handgriff des Werkzeugs immer sicher in der Gegenrichtung zur Spindeldrehung unterstützen, um die Auswirkung von plötzlichen Drehmomentreaktionen während der letzten Phase des Festziehens oder der Anfangsphase des LöSENS von Befestigungselementen zu vermeiden.**
- **Nach Möglichkeit eine Aufhängestütze zur Aufnahme des Reaktionsmoments verwenden. Falls dies nicht möglich ist, wird für Pistolengriff- und Stabmodelle die Verwendung von Seitenhaltegriffen empfohlen. Für Winkelschrauber werden Gegenhalter empfohlen.** Auf jeden Fall wird empfohlen, bei Stabmodellen eine Vorrichtung zur Aufnahme von Reaktionsmomenten von über 4 Nm (3 lbf.ft), bei Pistolengriffmodellen zur Aufnahme von Reaktionsmomenten von über 10 Nm (7,5 lbf.ft) und bei Winkelschraubern zur Aufnahme von Reaktionsmomenten von über 60 Nm (44 lbf.ft) zu verwenden.

## Gefahren im Zusammenhang mit katapultierten Bauteilen

- **Tragen Sie stets schlagfeste Schutzbrillen und Gesichtsschutz, wenn Sie mit dem Werkzeug arbeiten, es warten oder reparieren, Zubehör austauschen oder sich in der Nähe der Arbeiten am oder mit dem Werkzeug aufhalten.**
- **Achten Sie darauf, dass andere, die sich in der Nähe des Werkzeugs aufhalten, schlagfeste Schutzbrillen und Gesichtsschutz tragen.** Auch kleine Absplitterungen können Augenverletzungen und Erblindung hervorrufen.
- **Schraubverbindungen, für die ein bestimmtes Drehmoment vorgeschrieben ist, müssen mit einem Drehmomentmesser nachgeprüft werden.** So genannte „Knickschlüssel“ erlauben keine Kontrolle eventuell gefährlicher überhöhter Anzugsmomente. Es können schwere Verletzungen von Befestigungselementen ausgelöst werden, die mit zu hohem oder zu niedrigem Drehmoment behandelt wurden, da diese brechen, sich lösen oder in ihre Komponenten zerfallen können. Freigesetzte Baugruppenkomponenten können zu Projektilen werden.
- **Keine Steckschlüssel für Handknarren verwenden.** Nur für Kraft- oder Schlagschrauber vorgesehene Steckschlüssel, die sich in gutem Zustand befinden, benutzen.
- **Werkzeug und Zubehör dürfen in keinem Fall modifiziert werden.**

## Gefahren im Zusammenhang mit sich wiederholenden Bewegungen

- **Im Beruf kann die Verwendung eines Elektrowerkzeugs nach längerer Zeit zu Unbehagen an Händen, Armen, Schultern, Nacken oder anderen Körperteilen führen.**
- **Nehmen Sie eine bequeme Stellung ein, achten Sie gleichzeitig auf einen sicheren Stand und vermeiden Sie eine schlechte oder schiefe Körperhaltung.** Bei längeren Arbeiten können Unbehagen und Ermüdung sich dadurch vermeiden lassen, dass immer wieder die Körperhaltung gewechselt wird.
- **Ignorieren Sie keine Symptome wie anhaltendes oder wiederkehrendes Unbehagen, Schmerzen, Pochen, Kribbeln, Gefühllosigkeit, ein brennendes Gefühl, Gelenksteifigkeit oder sonstige Beschwerden.** In dem Fall die Verwendung des Werkzeugs einstellen, Ihren Arbeitgeber benachrichtigen und einen Arzt aufsuchen.

## Gefahren am Arbeitsplatz

- **Ausrutschen, Stolpern und Stürze gehören zu den häufigsten Verletzungs- oder Todesursachen.** Unaufgeräumte Arbeitsplätze sind potenzielle Gefahrenquellen.
- **Arbeiten Sie nicht in beengten Räumen.** Hüten Sie sich vor Quetschung Ihrer Hände zwischen dem Werkzeug und dem zu bearbeitenden Teil, insbesondere beim Ausschrauben.
- **Hohe Lärmpegel können zu permanentem Hörverlust führen.** Verwenden Sie Gehörschutz, wie von Ihrem Arbeitgeber oder von den Arbeitsschutzvorschriften empfohlen.
- **Stellen Sie sicher, dass das Werkstück sicher fixiert ist.**
- **Sich wiederholende Bewegungen, schlechte Körperhaltung und die Belastung durch Schwingungen können Arme und Hände langfristig schädigen.** Sollten Sie Gefühllosigkeit, Kribbeln, Schmerzen oder weiße Flecken an Ihrer Haut bemerken, arbeiten Sie nicht mehr mit diesem Werkzeug und wenden Sie sich an einen Arzt.
- **Arbeiten Sie in unbekanntem Umgebungen besonders vorsichtig.** Machen Sie sich stets die potenziellen Gefahren bewusst, die von Ihrer Arbeit ausgehen. Dieses Werkzeug ist nicht gegen einen Kontakt mit Stromquellen isoliert.

## Schilder und Aufkleber

Am Produkt befinden sich Schilder und Aufkleber, die wichtige Angaben zur Personensicherheit und Produktwartung enthalten. Die Schilder und Aufkleber müssen immer gut leserlich sein. Neue Schilder und Aufkleber können mithilfe der Ersatzteilliste bestellt werden.



## Symbole



Entfernen Sie den Akkupack, bevor Sie Arbeiten an der Maschine ausführen.



Bitte lesen Sie die Bedienungsanleitung aufmerksam durch, bevor Sie die Maschine starten.



Entsorgen Sie elektrische Werkzeuge nicht im Restmüll. Elektrische Werkzeuge und elektronische Ausrüstung, die das Ende ihrer Lebensdauer erreicht haben, müssen getrennt gesammelt und an eine umweltgerechte Recyclinganlage zurückgeführt werden. Kontaktieren Sie Ihre örtlichen Behörden oder Ihren Fachhändler für Informationen zum Recycling und Sammelstellen.



Tragen Sie bei der Verwendung der Maschine stets eine Schutzbrille.

$n_0$

Keine Lastdrehzahl.

V

Volt

$\text{min}^{-1}$

pro Minute



Gleichstrom



ACHTUNG! WARNUNG! GEFAHR!

## Nützliche Informationen

### Herkunftsland

People's Republic of China

### Website

Informationen zu unseren Produkten, Zubehör, Ersatzteilen und Veröffentlichungen finden Sie auf der Internetseite von Rodcraft.

Besuchen Sie: [www.rodcraft.com](http://www.rodcraft.com).

### Sicherheitsdatenblatt

Die Sicherheitsdatenblätter enthalten Beschreibungen der von Rodcraft vertriebenen chemischen Produkte.

Weitere Informationen finden Sie auf der Webseite von Rodcraft unter [qr.cp.com/sds](http://qr.cp.com/sds).

### Copyright

© Copyright 2023, Desoutter GmbH, Edmund-Seng-Str. 3-5, 63477 Maintal, Germany

Alle Rechte vorbehalten. Jeglicher nicht autorisierte Gebrauch sowie das Kopieren der Inhalte ganz oder in Teilen ist verboten. Dies gilt insbesondere für Handelsmarken, Modellbezeichnungen, Artikelnummern und Zeichnungen. Verwenden Sie ausschließlich Originalbauteile. Schäden oder Fehlfunktionen, die durch den Einsatz unzulässiger Teile entstehen, sind von der Garantie oder Produkthaftung ausgeschlossen.

## Datos técnicos

### Descripción del producto

Consulte *Schema 2*.

1	Empuñadura blanda
2	Botón regulador de velocidad
3	Batería
4	Botón de batería
5	Lámpara de trabajo
6	Indicador luminoso de ajuste de velocidad
7	Gatillo de cambio
8	Botón de marcha inversa
9	Unidad cuadrada
10	Tapa de aluminio

## Declaraciones

### Declaración de conformidad UE

Nosotros, **Desoutter GmbH**, Edmund-Seng-Str. 3-5, 63477 Maintal, Germany, declaramos bajo nuestra única responsabilidad que el producto (con nombre, tipo y número de serie indicados en la primera página) es conforme a las siguientes Directivas:



2006/42/EC; 2011/65/EU; 2014/30/EU

Normativas armonizadas aplicadas:

EN 62841-1:2015/A11:2022; EN 62841-2-2:2014; EN IEC 55014-1:2021; EN IEC 55014-2:2021; EN 62233:2008

Las autoridades pueden solicitar información técnica relevante a:

Pascal Roussy, R&D Manager, Ets Georges Renault, 38 rue Bobby Sands, BP10273 44818 Saint Herblain, France

Saint-Herblain, 2023/08/28

Pascal ROUSSY

Firma

### Declaración sobre ruido y vibraciones

Descripción	RC9067	RC9077	RC9087
Presión acústica (K=3) (dB(A))	92,3	88,4	88,4
Potencia acústica (K=3) (dB(A))	100,3	96,4	96,4
Vibración (K=1,5) (m/s <sup>2</sup> )	5,45	8,15	8,15

Los valores de presión acústica, potencia acústica y vibración son conformes a EN 62841-2-2:2014 + AC:2015.

Los valores declarados se han obtenido en pruebas de laboratorio realizadas con arreglo a las normas establecidas y son aptos para compararlos con los valores declarados de otras herramientas probadas de conformidad con las mismas normas. El nivel de emisión de vibración puede usarse para una evaluación preliminar de la exposición. Estos valores declarados no son adecuados para utilizar en evaluaciones de riesgos;

asimismo, los valores medidos en lugares de trabajo específicos pueden ser más altos. Los valores de exposición reales y el riesgo de daño experimentados por un usuario individual son exclusivos y dependen de la forma de trabajo del usuario, la pieza de trabajo y el diseño del puesto de trabajo, así como del tiempo de exposición y del estado físico del usuario.

Nosotros, **Desoutter GmbH**, no tendremos responsabilidad alguna por las consecuencias del uso de los valores declarados en lugar de los valores reflejados en la exposición real, en una evaluación de riesgos individuales que se produzcan en una situación de trabajo sobre la que no tenemos control alguno.

Esta herramienta puede provocar el síndrome de vibración mano-brazo si no se utiliza correctamente. Puede encontrar una guía de la UE sobre cómo manejar la vibración brazo-mano accediendo a <http://www.pneurop.eu/index.php> y seleccionando "Tools" (Herramientas) y "Legislation" (Legislación).

Se recomienda mantener un programa de control sanitario de detección precoz de los síntomas relacionados con la exposición a vibraciones, con objeto de modificar los procedimientos de gestión y así evitar posibles discapacidades.

- i** Este equipo está diseñado para aplicaciones de montaje de sujeción:  
La emisión de ruido se indica a modo de guía para el fabricante de la máquina. Los datos de emisiones de ruido y vibraciones de toda la máquina deberán incluirse en el manual de instrucciones de esta.

### Requisitos regionales

#### **⚠ ADVERTENCIA**

Este producto le puede exponer al plomo, considerado por el Estado de California como causante de cáncer y de malformaciones congénitas u otros daños reproductivos. Para más información visite

<https://www.p65warnings.ca.gov/>

### Información relacionada con el Artículo 33 en REACH

El Reglamento europeo (UE) n.º 1907/2006 relativo al registro, evaluación, autorización y restricción de las sustancias y preparados químicos (REACH) define, entre otras cosas, los requisitos relacionados con la comunicación en la cadena de suministro. El requisito de información también es aplicable a los productos que contengan las llamadas Sustancias muy preocupantes (la «Lista de candidatos»). El 27 de junio de 2018 se añadió el plomo (CAS n.º 7439-92-1) a la Lista de candidatos.

De acuerdo con lo mencionado anteriormente, el objetivo del presente documento es informarle de que determinados componentes eléctricos en el producto pueden contener plomo. El presente documento es de conformidad con la legislación sobre restricción de sustancias actual y se basa en las exenciones legítimas en la Directiva RoHS (2011/65/UE). No se producirán fugas de plomo ni mutará a partir del producto durante el uso normal y la concentración de plomo en el producto completo se encuentra bastante por debajo del límite umbral aceptable. Tenga en cuenta los requisitos locales sobre el desecho del plomo al final de la vida útil del producto.

## Seguridad

CONSERVAR - ENTREGAR AL USUARIO

#### **⚠ ADVERTENCIA Lea todas las advertencias, instrucciones, ilustraciones y especificaciones de seguridad suministradas con esta herramienta motorizada.**

Si no se siguen todas las instrucciones que se indican a continuación pueden producirse descargas eléctricas, incendios o graves daños personales.

**Guarde todas las advertencias e instrucciones para futuras consultas.**

#### **⚠ ADVERTENCIA Respete siempre todas las normas de seguridad relativas a la instalación, funcionamiento y mantenimiento de acuerdo a la legislación local.**

#### Declaración de uso

- Solo para uso profesional.
- No se debe modificar ningún aspecto de este producto ni de sus accesorios.
- No utilice este producto si está dañado.
- Si los datos del producto o las señales de advertencia de peligro en el producto dejan de ser legibles o se desprenden, sustitúyalas sin demora.
- Solo personal cualificado puede instalar, operar y realizar servicios en el producto en un entorno industrial.

#### Uso previsto

Este producto está destinado a ser utilizado únicamente por adultos que hayan leído y entendido las instrucciones y advertencias de este manual y puedan ser consideradas responsables de sus acciones.

- Este producto está diseñado para la instalación y extracción de uniones roscadas en madera, metal o plástico.
- No use el producto para cualquier otra finalidad no descrita anteriormente.
- Solamente para uso en interiores.
- No se permite ningún otro uso.

Utilice únicamente los siguientes cargadores y baterías.

RC20BA20: 8951000467

RC20BA40: 8951000468

RC20BA60: 8951000469

Las baterías solo se deben cargar con los cargadores de baterías Rodcraft

RC20CHEU: 8951000470

RC20CHUK: 8951000471

Si desea las instrucciones completas, consulte la Información de seguridad del cargador de batería (n.º de material impreso 8956002313)

## Advertencias de seguridad generales para herramientas eléctricas

**⚠️ ADVERTENCIA** Lea todas las advertencias, instrucciones, ilustraciones y especificaciones de seguridad suministradas con este producto.

Si no se siguen todas las instrucciones que se indican a continuación pueden producirse descargas eléctricas, incendios, daños en la propiedad y/o lesiones graves.

**Guarde todas las advertencias e instrucciones para futuras consultas.**

El término "herramienta eléctrica" de las advertencias se refiere a herramientas eléctricas accionadas por la red de suministro (con cable) o a las accionadas por batería (sin cable).

### Seguridad de la zona de trabajo

- **Mantenga el lugar de trabajo limpio y bien iluminado.** Las zonas desorganizadas y mal iluminadas pueden provocar accidentes.
- **No utilice herramientas motorizadas en entornos en los que exista peligro de explosión, como en entornos con polvo, gases o líquidos inflamables.** Las herramientas eléctricas generan chispas que pueden inflamar el polvo o los gases.
- **Mientras utiliza una herramienta motorizada, mantenga a las personas (niños, compañeros, etc.) alejadas.** Las distracciones pueden hacer que pierda el control.

### Seguridad eléctrica

- **Evite el contacto físico con superficies que estén conectadas a una toma de tierra como, por ejemplo, tuberías, radiadores, cocinas y frigoríficos.** El riesgo de sufrir una descarga eléctrica aumenta si su cuerpo está conectado a tierra.
- **No exponga las herramientas motorizadas a la lluvia ni a la humedad.** Al entrar agua en el interior de una herramienta motorizada aumenta el riesgo de que se produzcan descargas eléctricas.

### Seguridad personal

- **Manténgase siempre alerta, céntrese en lo que está haciendo y aplique el sentido común al utilizar cualquier herramienta motorizada.** No utilice herramientas motorizadas si está cansado o se encuentra bajo los efectos de medicamentos, alcohol o drogas. Un momento de distracción mientras utiliza una herramienta motorizada puede provocar graves daños personales.
- **Utilice equipos de protección personal.** Utilice siempre **protección ocular.** El uso de equipos de protección como mascarillas antipolvo, calzado de seguridad antideslizante, casco o protección para los oídos en las condiciones apropiadas reduce el riesgo de sufrir lesiones personales.
- **Evite el encendido inintencionado.** Asegúrese de que el interruptor está en la posición de apagado antes de conectar la herramienta a la fuente de alimentación y/o paquete de baterías, levantarla o transportarla. Si transporta la herramienta motorizadas con el dedo en el gatillo o si conecta la herramienta mientras el interruptor está activado, pueden producirse accidentes.

- **Retire cualquier tipo de llave de ajuste o llave fija antes de encender la herramienta.** Si deja cualquier tipo de llave o herramienta conectada a una parte giratoria de la herramienta motorizada, pueden producirse lesiones personales.
- **No intente hacer demasiadas cosas al mismo tiempo. Mantenga el equilibrio siempre.** Esto permite controlar mejor la herramienta motorizada en situaciones imprevistas.
- **Utilice ropa adecuada. No lleve prendas de vestir holgadas ni joyas. Mantenga el pelo y la ropa alejados de las piezas móviles.** Si viste prendas sueltas, lleva joyas o tiene el pelo largo, existe la posibilidad de que se enganchen en las piezas en movimiento.
- **Si los dispositivos están provistos con conexión de accesorios de extracción y recogida de polvo, asegúrese de conectarlos y utilizarlos correctamente.** La recogida del polvo puede reducir los riesgos relacionados con éste.
- **No deje que el conocimiento adquirido por el uso frecuente de las herramientas lo vuelva descuidado y lo lleve a ignorar los principios de seguridad de la herramienta.** Actuar sin prestar atención puede provocar lesiones muy graves en una fracción de segundo.
- **Sujete la herramienta motorizada por las superficies de agarre aisladas cuando esté realizando una operación en la que el sujetador pueda entrar en contacto con cableado oculto.** Si las sujeciones entran contacto con un cable "activo" pueden "activar" las partes metálicas expuestas de la herramienta eléctrica y provocar una descarga eléctrica al operario.

### Uso y cuidado de la herramienta motorizada

- **No fuerce la herramienta motorizada. Utilice la herramienta motorizada más adecuada para su aplicación.** Si utiliza la herramienta motorizada adecuada, podrá realizar la tarea de mejor forma y con mayor seguridad, a la velocidad para la que ha sido diseñada.
- **No utilice la herramienta motorizada si el interruptor no se enciende y apaga.** Una herramienta motorizada que no puede controlarse con el interruptor es muy peligrosa y debe ser reparada.
- **Si fuera desmontable, desconecte el enchufe de la herramienta motorizada de la fuente de alimentación y/o del paquete de baterías, si fuera antes de realizar cualquier tipo de ajuste, cambiar un accesorio o de almacenarla.** La aplicación de estas medidas preventivas de seguridad reducirá el riesgo de que la herramienta motorizada se ponga en funcionamiento accidentalmente.
- **Guarde las herramientas motorizadas que no utilice lejos del alcance de los niños y no permita su uso por parte de personas no estén familiarizadas con ellas o con estas instrucciones.** Las herramientas motorizadas en manos de personas que no están capacitadas para usarlas resultan peligrosas.
- **Conserve en buen estado las herramientas motorizadas y los accesorios. Compruebe si las piezas móviles están desalineadas o agarrotadas, si presentan daños o cualquier otra condición que pueda afectar al funcionamiento de la herramienta motorizada.** Si la

herramienta motorizada está dañada, repárela antes de utilizarla. La causa de muchos accidentes es el mantenimiento deficiente de las herramientas motorizadas.

- **Mantenga las herramientas de corte afiladas y limpias.** Las herramientas de corte mantenidas correctamente con sus bordes de corte afilados se bloquean en menos ocasiones y su control es más sencillo.
- **Utilice las herramientas motorizadas, accesorios, brocas, etc. de acuerdo con estas instrucciones, teniendo en consideración las condiciones de trabajo y la tarea que debe realizarse.** El uso de herramientas motorizadas para operaciones para las que no fueron diseñadas puede causar situaciones peligrosas.
- **Mantenga las asas y superficies de agarre secas, limpias y libres de grasas y aceites.** Las asas y superficies de agarre deslizantes no permiten controlar y manejar la herramienta con seguridad en situaciones inesperadas.

#### Uso y cuidado de la batería

- **Recargue la batería solo con el cargador especificado por el fabricante.** Un cargador adecuado para un tipo de batería puede provocar un incendio si se utiliza con otra batería.
- **Utilice las herramientas motorizadas solo con las baterías específicamente designadas.** El uso de otras baterías puede provocar lesiones e incendios.
- **En períodos de desuso de la batería, guárdela alejada de objetos metálicos, como clips de papel, monedas, llaves, clavos, tornillos y otros objetos metálicos pequeños que pueden conectar una terminal con la otra.** El cortocircuito de los terminales de la batería puede provocar quemaduras e incluso un incendio.
- **Bajo determinadas condiciones, la batería puede expulsar algo de líquido, evite el contacto con él. Si el contacto se produjera accidentalmente, enjuague con agua abundante. Si el líquido entra en contacto con los ojos, consulte con su médico.** El líquido de la batería puede provocar irritación y quemaduras.
- **No utilice una batería ni una herramienta que estén dañadas o hayan sido modificadas.** Las baterías dañadas o modificadas pueden tener una conducta impredecible que diera lugar a un incendio, explosión o riesgo de sufrir lesiones.
- **No exponga la batería o la herramienta a temperaturas excesivas.** La exposición al fuego o temperaturas por encima de 130 °C puede provocar explosiones.
- **Siga todas las instrucciones de carga y no cargue la batería ni la herramienta más allá del intervalo de temperatura indicado en las instrucciones.** Una carga inadecuada o a temperaturas que excedan el intervalo especificado puede dañar la batería y aumentar el riesgo de incendio.

#### Servicio

- **El mantenimiento de su herramienta mecánica debe ser llevado a cabo por personal cualificado que utilice únicamente piezas de recambio idénticas.** De esta forma, se garantiza la seguridad de la herramienta motorizada.

- **Nunca repare las baterías dañadas.** Las baterías solo deben repararlas el fabricante o un servicio técnico autorizado.

### Instrucciones específicas para el producto

#### Utilización de la herramienta

1. Instale una llave de vaso adecuada en la herramienta.
2. Configure el modo correcto mediante el botón regulador de velocidad (2).
3. Seleccione el sentido adecuado utilizando el botón de marcha inversa (8).
4. Coloque la herramienta siguiendo las instrucciones de seguridad descritas en este documento.
5. Mantenga pulsado el gatillo de cambio (7).
6. Mantenga pulsado el gatillo (7) hasta el final de la operación.

#### ADVERTENCIA Peligro de lesión

Dado que la fuerza de reacción aumenta proporcionalmente a par de torsión, existe un riesgo de lesión física grave del operario como resultado de un comportamiento imprevisto de la herramienta.

- ▶ Asegúrese de que la herramienta se encuentra en perfectas condiciones de trabajo y que el sistema está correctamente programado.

#### Batería

Los bloques de baterías que no se han utilizado durante algún tiempo deben recargarse antes de su uso.

Las temperaturas superiores a 50°C (122°F) reducen el rendimiento de la batería. Evitar una exposición prolongada a calor o sol (riesgo de sobrecalentamiento).

Mantener limpios los puntos de contacto de los cargadores y de los bloques de baterías.

Para una duración óptima, los bloques de baterías deben cargarse al máximo después de su uso. Para aumentar al máximo la vida de la batería, extraer el bloque de baterías del cargador cuando se haya cargado por completo.

La batería cuenta con una protección frente a sobrecargas que la protege en caso de sobrecarga y ayuda a garantizar una vida útil prolongada. La electrónica de la batería desactiva el producto automáticamente en caso de que se produzca una situación de tensión extrema. Para reiniciarlo, desactive producto y vuelva a activarlo. Si el producto no vuelve a iniciarse, es posible que la batería esté completamente descargada. En este caso, debe recargarla con el cargador de la batería.

#### Instrucciones de mantenimiento

- **Siga los reglamentos nacionales en materia de medio ambiente para manipular y desechar de forma segura todos los componentes.**
- Las labores de mantenimiento y reparación deberán ser realizadas por personal cualificado utilizando únicamente recambios originales. Póngase en contacto con el fabricante o con su concesionario autorizado más cercano para obtener asesoramiento sobre servicio técnico o si necesita recambios.

- Asegúrese de que la máquina esté desconectada de la fuente de energía para evitar una puesta en marcha accidental.
- Desmonte y revise la herramienta cada tres (3) meses si esta se utiliza a diario. Sustituya las piezas dañadas o desgastadas.
- No deje en ningún momento que líquidos, gasolina, productos a base de petróleo, aceites penetrantes, etc. entren en contacto con piezas de plástico. Los productos químicos pueden dañar, debilitar o destruir el plástico y eso podría provocar graves lesiones personales.
- Evite el uso de disolventes para limpiar las piezas de plástico. La mayoría de los plásticos son susceptibles a daños provocados por diversos tipos de solventes comerciales y pueden resultar dañados por su uso. Use trapos limpios para eliminar suciedad, polvo, aceite, grasa, etc.

### Eliminación

- La eliminación de este equipo debe cumplir la legislación del país correspondiente.
- Todos los dispositivos dañados, muy gastados o que funcionen incorrectamente **DEBEN DEJAR DE USARSE**.
- La reparación solo debe ser realizada por el personal de mantenimiento.

### Normas de seguridad adicionales para destornilladores y llaves

#### Riesgos de atrapamiento

- **Manténgase apartado del mecanismo de rotación.** Pueden producirse estrangulamientos, pérdidas de cabello y/o laceraciones si no se mantienen la ropa, las joyas, los colgantes y el pelo alejados de la herramienta y de los accesorios.
- **No utilice guantes sueltos ni guantes que dejen los dedos al aire.** Los guantes pueden quedar atrapados en el eje giratorio, causando heridas o roturas en los dedos.
- **Los zócalos del eje giratorio y las extensiones de este pueden atrapar fácilmente los guantes recubiertos de goma o reforzados con metal.**
- **Nunca sujete el eje, el zócalo ni la extensión del eje.**

#### Riesgos derivados del uso

- **Los operarios y el personal de mantenimiento deben estar físicamente capacitados para manejar el volumen, peso y potencia de la herramienta.**
- **Sujete la herramienta correctamente: esté preparado para contrarrestar los movimientos normales o repentinos.** Tenga las dos manos disponibles.
- **Comprobar el correcto funcionamiento inmediatamente después de ajustar el embrague.**
- **No utilice el producto si presenta desgaste.** El embrague no funcionará, resultando en la brusca rotación del mango de la máquina.
- **Apoye siempre el mango de la herramienta firmemente, en la dirección contraria a la rotación del husillo, a fin de reducir el efecto de la reacción repentina del par durante el atornillado final y destornillado inicial.**

- **Si es posible, utilice un brazo de suspensión para absorber el par de reacción. Si no es posible, se recomienda la utilización de empuñaduras laterales para herramientas de caja recta y herramientas con empuñadura de pistola; se recomienda utilizar barras de reacción para aprietatuercas de ángulo.** En cualquier caso, se recomienda el uso de un método de absorción del par de reacción superior a 4 Nm (3 lbf.ft) para herramientas de caja recta, superior a 10 Nm (7,5 lbf.ft) para herramientas con empuñadura de pistola y superior a 60 Nm (44 lbf.ft) para aprietatuercas de ángulo.

#### Riesgos de emisión de proyectiles

- **Utilice siempre protección facial y ocular resistente a impactos cuando esté en contacto o próximo al funcionamiento, reparación o mantenimiento de la herramienta o al cambio de accesorios de la misma.**
- **Asegúrese de que las otras personas que se encuentran en el área de trabajo también utilizan protección facial y ocular resistente de impactos.** Incluso los proyectiles de tamaño reducido pueden producir daños oculares y ceguera.
- **Los montajes que precisen un par específico deben comprobarse utilizando un medidor de par.** Las llaves dinamométricas llamadas de "clic" no comprueban las condiciones de sobrepasar potencialmente peligrosas. Pueden producirse lesiones personales graves si los tornillos se aprietan demasiado o demasiado poco, ya que pueden romperse, o alojarse y separarse. Los montajes que se suelten disparados pueden convertirse en proyectiles.
- **No utilice llaves manuales.** Utilice únicamente llaves eléctricas o de impacto que estén en buen estado.
- **No se debe modificar ningún aspecto de esta herramienta ni de sus accesorios.**

#### Riesgos derivados por movimientos repetitivos

- **Cuando se utiliza una herramienta mecánica para actividades de trabajo, el operario puede experimentar molestias en las manos, brazos, hombros, cuellos u otras partes del cuerpo.**
- **Adopte una postura cómoda mientras mantiene una posición firme evitando posturas extrañas o desequilibradas.** Cambiar de postura durante las tareas prolongadas puede ayudar a evitar las molestias y la fatiga.
- **No ignore síntomas como las molestias persistentes o recurrentes, el dolor, dolores punzantes, hormigueos, adormecimientos, sensación de quemazón o rigidez.** Deje de utilizar la herramienta, informe a su superior y consulte a un médico.

#### Riesgos en el lugar de trabajo

- **Resbalones, tropiezos y caídas son las causas más frecuentes de lesiones graves o muerte.** Las zonas y puestos de trabajo desorganizados y mal iluminados suelen provocar lesiones.
- **No utilizar en espacios reducidos.** Tener cuidado de no atraparse las manos entre la máquina y la pieza, especialmente cuando destornillando.



- **Un nivel alto de ruido puede causar pérdida auditiva permanente.** Utilice protección para los oídos siguiendo las recomendaciones de su empresa o de las normas de seguridad y salud ocupacional.
- **Asegúrese de que la pieza de trabajo esté bien sujeta.**
- **Movimientos continuos, posiciones incorrectas y exposición a la vibración pueden dañar las manos y brazos.** Si siente adormecimiento, cosquilleo, dolor o palidez en la piel, deje de usar la herramienta y consulte a un médico.
- **Trabajar con cuidado en lugares desconocidos.** Tenga en cuenta los peligros potenciales creados por su actividad de trabajo. Esta herramienta no está aislada para el contacto con fuentes de alimentación eléctrica.

## Señales y etiquetas

El producto está equipado con signos y adhesivos que contienen información importante sobre seguridad personal y mantenimiento del producto. Los signos y los adhesivos deben ser fácilmente legibles en todo momento. Pueden solicitarse signos y adhesivos nuevos utilizando la lista de repuestos.



s011050

## Símbolos



Extraer la batería antes de realizar trabajos en la máquina.



Leer detenidamente las instrucciones antes de poner en marcha la máquina.



No eliminar las herramientas eléctricas como residuos domésticos. Las herramientas eléctricas y equipos electrónicos que han alcanzado el final de su vida deben recogerse por separado y deben enviarse a instalaciones de reciclaje adecuadas. Consulte con las autoridades locales o minoristas consejos para reciclar y los puntos de recogida.



Llevar siempre gafas al utilizar la máquina.

$n_0$  Sin velocidad de carga.

V Voltios

$\text{min}^{-1}$  por minuto



Corriente continua



¡PRECAUCIÓN! ¡ADVERTENCIA! ¡PELIGRO!

## Información de utilidad

### País de origen

People's Republic of China

## Sítio de Internet

Puede encontrar información relacionada con nuestros productos, accesorios, piezas de repuesto y material impreso en el sitio web Rodcraft.

Visite: [www.rodcraft.com](http://www.rodcraft.com).

## Ficha de seguridad

Las fichas de seguridad describen los productos químicos vendidos por Rodcraft.

Consulte el sitio web Rodcraft para más información [qr.cp.com/sds](http://qr.cp.com/sds).

## Copyright

© Copyright 2023, Desoutter GmbH, Edmund-Seng-Str. 3-5, 63477 Maintal, Germany

Todos los derechos reservados. Queda prohibido el uso autorizado o la copia total o parcial del presente contenido. En particular, esta prohibición se aplica a las marcas comerciales, las denominaciones de los modelos, los números de referencia y los gráficos. Utilice sólo piezas autorizadas. Cualquier daño o avería causada por el uso de piezas no autorizadas quedará excluido de la Garantía o la Responsabilidad de producto.

## Dados técnicos

### Descrição do produto

Consulte o *Schema 2*.

1	Empunhadura macia
2	Botão de ajuste de velocidade
3	Bateria
4	Botão da bateria
5	Lâmpada de trabalho
6	Luz de sinalização do ajuste de velocidade
7	Gatilho
8	Botão de reversão
9	Acionamento quadrado
10	Tampa de alumínio

## Declarações

### Declaração de Conformidade da União Europeia

Nós da **Desoutter GmbH**, Edmund-Seng-Str. 3-5, 63477 Maintal, Germany declaramos, sob nossa exclusiva responsabilidade, que este produto (com nome, tipo e número de série (ver a primeira página) está em conformidade com a(s) seguinte(s) Diretiva(s):

**2006/42/EC; 2011/65/EU; 2014/30/EU**

Normas harmonizadas aplicadas:

**EN 62841-1:2015/A11:2022; EN 62841-2-2:2014; EN IEC 55014-1:2021; EN IEC 55014-2:2021; EN 62233:2008**



As autoridades podem solicitar informações técnicas pertinentes de:

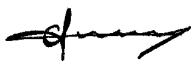
Pascal Roussy, R&D Manager, Ets Georges Renault, 38 rue Bobby Sands, BP10273 44818

Saint Herblain, France

Saint-Herblain, 2023/08/28

Pascal ROUSSY

Assinatura



## Declaração sobre Ruído & Vibração

Descrição	RC9067	RC9077	RC9087
Pressão sonora (K=3) (dB(A))	92,3	88,4	88,4
Potência sonora (K=3) (dB(A))	100,3	96,4	96,4
Vibração (K=1,5) (m/s <sup>2</sup> )	5,45	8,15	8,15

Os valores da pressão sonora, potência sonora e vibração estão de acordo com a EN 62841-2:2014 + AC:2015.

Esses valores declarados foram obtidos por testes de laboratório de acordo com as normas citadas e são adequados para comparação com os valores declarados para outras ferramentas testadas de acordo com as mesmas normas. O nível de emissão da vibração pode ser usado como uma avaliação preliminar da exposição. Esses valores declarados não são adequados para uso em avaliações de risco e os valores medidos em locais de trabalho individuais podem ser maiores. Os valores reais de exposição e risco de danos experimentados por um usuário individual são únicos e dependem da forma como o usuário trabalha, da peça trabalhada e do design da estação de trabalho, bem como do tempo de exposição e da condição física do usuário.

Nós da **Desoutter GmbH** não somos responsáveis pelas consequências do uso dos valores declarados ao invés dos valores refletindo a exposição real, em uma avaliação individual de risco, em uma situação de local de trabalho sobre a qual não temos controle.

Esta ferramenta pode causar síndrome de vibração na mão e no braço se seu uso não for administrado corretamente. Um guia da UE para gerenciar as vibrações transmitidas à mão/braço pode ser encontrado acessando <http://www.pneurop.eu/index.php> e selecionando "Tools" ("Ferramentas") e, em seguida, "Legislation" ("Legislação").

Recomendamos um programa de vigilância médica para detectar, em tempo hábil, sintomas que possam estar relacionados com a exposição a vibrações ou ruídos, para que os procedimentos de manuseio possam ser modificados, de forma a ajudar a evitar lesões futuras.

- i** Este equipamento é destinado a aplicações fixas. A emissão de ruídos é dada como um guia para o construtor da máquina. Dados sobre emissão de vibração e ruído da máquina completa devem ser indicados no Manual de Instruções da máquina.

## Requisitos regionais

### ⚠ AVISO

Este produto pode expor você a produtos químicos, entre eles o chumbo, conhecido no Estado da Califórnia por causar câncer e defeitos em recém-nascidos, além de outros danos à reprodução. Para mais informações, visite

<https://www.p65warnings.ca.gov/>

## Informações a respeito do Artigo 33 do REACH

O European Regulation (UE) n° 1907/2006, sobre Registros, Avaliação, Autorização e Restrição de Produtos Químicos (REACH), define, entre outras coisas, os requisitos relacionados à comunicação na cadeia de fornecimento. O requisito das informações aplica-se também a produtos que contêm as chamadas Substâncias de Preocupação muito elevada (a "Lista de Candidatos"). No dia 27 de junho de 2018 foi acrescentado à Lista de Candidatos o metal chumbo (CAS n° 7439-92-1).

Conforme o que foi dito acima, o objetivo do presente documento é informar que determinados componentes elétricos do produto podem conter o metal chumbo. Isto está em conformidade com a atual legislação de restrição de substâncias e baseia-se em exceções legítimas da Diretiva RoHS (2011/65/EU). Não ocorre vazamento ou mutação do chumbo a partir do produto durante uso normal e a concentração do metal chumbo no produto completo fica bem abaixo do limite aplicável. Também deve-se levar em conta os requisitos locais relacionados ao descarte de chumbo no final da vida útil do produto.

## Segurança

NÃO DESCARTE - ENTREGUE AO USUÁRIO

### ⚠ AVISO Leia todos os avisos de segurança, instruções, ilustrações e especificações fornecidas com a ferramenta elétrica.

O não cumprimento de todas as instruções apresentadas abaixo poderá resultar em choque elétrico, incêndio e/ou lesões graves.

**Guarde todos os alertas e instruções para referência futura.**

### ⚠ AVISO Todas as normas de segurança localmente legisladas relativas a instalação, operação e manutenção devem ser sempre respeitadas.

## Declaração de Uso

- Apenas para uso profissional.
- Este produto e seus acessórios não devem ser modificados em qualquer circunstância.
- Não utilize o produto se estiver danificado.
- Se os dados do produto ou as sinalizações de perigo na ferramenta deixarem de ser legíveis ou se soltarem, substitua o produto sem demora.

- Somente uma pessoa qualificada em ambiente de montagem industrial pode instalar, operar ou dar manutenção de rotina no produto.

### Finalidade

Este produto se destina exclusivamente ao uso por adultos que tenham lido e compreendido as instruções e avisos neste manual e que possam ser considerados responsáveis por suas ações.

- Este produto foi projetado para instalar e remover fixadores de rosca em madeira, metal ou plástico.
- Não utilize o produto para qualquer outra finalidade que não a descrita acima.
- Apenas para uso interno.
- Não é permitido nenhum outro tipo de uso.

Utilize somente as seguintes baterias e carregadores

RC20BA20: 8951000467

RC20BA40: 8951000468

RC20BA60: 8951000469

As baterias devem ser carregadas somente com carregadores de bateria Rodcraft.

RC20CHEU: 8951000470

RC20CHUK: 8951000471

Para instruções completas, consulte as Informações de Segurança do carregador de bateria (Material impresso nº 8956002313).

### Alertas de segurança para ferramentas elétricas em geral

#### AVISO Leia todos os avisos de segurança, instruções, ilustrações e especificações fornecidas com o produto.

O não cumprimento de todas as instruções apresentadas abaixo poderá resultar em choque elétrico, incêndio, danos à propriedade e/ou lesões graves.

**Guarde todos os alertas e instruções para referência futura.**

Nos avisos, o termo "ferramenta elétrica" se refere à ferramenta elétrica conectada à linha de alimentação (com cabo) ou à bateria (sem cabo).

#### Segurança na área de trabalho

- **Mantenha a área de trabalho limpa e bem iluminada.** Áreas desorganizadas ou escuras provocam acidentes.
- **Não opere ferramentas elétricas em ambientes explosivos, como na presença de líquidos, gases ou poeira inflamáveis.** Ferramentas elétricas geram faíscas que podem incendiar a poeira ou vapores.
- **Mantenha crianças e espectadores à distância ao operar uma ferramenta elétrica.** Distrações podem fazer com que você perca o controle da ferramenta.

#### Segurança elétrica

- **Evite o contato corporal com superfícies ligadas à terra como tubos, radiadores, fogões de cozinha e refrigeradores.** O risco de choque elétrico aumenta quando o seu corpo está aterrado.

- **Não exponha ferramentas elétricas à chuva ou umidade.** A água que penetrar aumentará o risco de choque elétrico.

#### Segurança pessoal

- **Mantenha-se alerta, observe o que estiver fazendo e use o bom senso ao operar uma ferramenta elétrica. Não use uma ferramenta elétrica quando estiver cansado ou sob a influência de drogas, álcool ou medicamentos.** Um lapso momentâneo de concentração ao operar uma ferramenta elétrica pode resultar em acidentes graves.
- **Use equipamentos de proteção individual. Sempre use proteção para os olhos.** Equipamentos de proteção como máscara contra poeira, calçados antiderrapantes, capacetes ou protetores de ouvidos usados de maneira apropriada, reduzem os ferimentos pessoais.
- **Evite o acionamento não intencional. Certifique-se de que o interruptor esteja na posição de desligado antes de conectar a ferramenta à fonte de alimentação e/ou a uma bateria, de levantá-la ou carregá-la.** Carregar ferramentas elétricas com o dedo no interruptor ou conectá-las à tomada com o interruptor ligado facilita a ocorrência de acidentes.
- **Remova qualquer chave de ajuste ou de pressão antes de ligar a ferramenta elétrica.** Um instrumento ou uma chave deixados presos a uma parte giratória da ferramenta podem resultar em ferimentos.
- **Não se incline além do seu alcance. Mantenha os pés em posição correta e o equilíbrio em todos os momentos.** Isso permite um melhor controle da ferramenta em situações inesperadas.
- **Vista-se apropriadamente. Não use roupas soltas ou joias. Mantenha seus cabelos e roupas longe de peças em movimento.** Roupas soltas, joias ou cabelos longos podem ficar presos nas peças em movimento.
- **Se os dispositivos forem ministrados permitirem a conexão de utensílios que extraem e coletam poeira, assegure-se de que estejam bem conectados e sejam usados apropriadamente.** O uso de coletores de pó pode reduzir os perigos relacionados com o pó.
- **Não deixe que a familiaridade obtida com o uso frequente das ferramentas faça com que se sinta acomodado e ignore os princípios de segurança.** Uma ação descuidada pode causar ferimentos graves em uma fração de segundos.
- **Segure a ferramenta elétrica somente pelas superfícies de manuseamento isoladas, quando executar uma operação onde a ferramenta possa entrar em contato com a fiação oculta.** Os dispositivos de fixação que entrem em contato com um cabo "energizado" podem ter as partes metálicas expostas da ferramenta elétrica "energizadas", podendo provocar um choque elétrico ao operador.

#### Utilização e manutenção da ferramenta elétrica

- **Não force a ferramenta. Use a ferramenta elétrica correta para sua finalidade.** A ferramenta elétrica correta irá realizar o trabalho de maneira melhor e mais segura, na medida para a qual foi projetada.

- **Não use a ferramenta elétrica se o interruptor não funcionar.** Qualquer ferramenta elétrica que não possa ser controlada pelo interruptor é perigosa e precisa ser consertada.
- **Desconecte o plugue da fonte de alimentação e/ou a bateria, se puder ser removida, da ferramenta elétrica antes de fazer quaisquer ajustes, trocar acessórios ou guardar ferramentas elétricas.** Tais medidas preventivas reduzem o risco de ligar a ferramenta acidentalmente.
- **Guarde ferramentas fora de uso longe do alcance de crianças e não permita que sejam operadas por pessoas não familiarizadas com o equipamento ou com estas instruções.** Ferramentas elétricas são perigosas nas mãos de usuários não treinados.
- **Manutenção de ferramentas elétricas e acessórios. Verifique se há desalinhamento ou emperramento de peças móveis, peças quebradas ou qualquer outra condição que possa afetar a operação da ferramenta elétrica. Se estiver danificada, conserte-a antes de usá-la.** Muitos acidentes são causados por ferramentas elétricas mal cuidadas.
- **Mantenha as ferramentas cortantes afiadas e limpas.** Ferramentas de bordas afiadas com manutenção adequada têm menos chance de ficarem presas e são mais fáceis de controlar.
- **Use a ferramenta elétrica, os acessórios e outras peças de acordo com estas instruções, levando em consideração as condições de trabalho e a tarefa a ser realizada.** Usar a ferramenta elétrica para operações diferentes daquelas para as quais foi planejada pode resultar em uma situação perigosa.
- **Mantenha cabos e superfícies de fixação secos, limpos e livres de óleo e graxa.** Cabos e superfícies de fixação escorregadios não permitem o manuseio e controle seguro da ferramenta em situações inesperadas.

#### Utilização e manutenção da bateria da ferramenta

- **Recarregue apenas com o carregador especificado pelo fabricante.** Um carregador que seja adequado a um tipo de bateria pode provocar incêndio se utilizado em outro tipo de bateria.
- **Utilize ferramentas elétricas apenas com as baterias especificamente indicadas.** A utilização de quaisquer outras baterias pode provocar lesões ou incêndios.
- **Quando a bateria não estiver em uso, mantenha-a afastada de objetos metálicos, como cliques de papel, moedas, chaves, pregos, parafusos ou outros, que podem provocar a ligação de um terminal ao outro.** Um curto-circuito nos terminais da bateria poderá provocar queimaduras ou incêndio.
- **Em situações de utilização excessiva, um líquido poderá ser ejetado da bateria; evite o contato. Se isso acontecer por acidente, lave com água. Se o líquido entrar em contato com o olhos, consulte um médico.** O líquido da bateria pode provocar irritações ou queimaduras.
- **Não use uma bateria ou ferramenta que esteja danificada ou tenha sido modificada.** Baterias danificadas ou modificadas podem apresentar um comportamento imprevisível, resultando em incêndio, explosão ou risco de acidente.

- **Não exponha a bateria ou ferramenta ao fogo ou a temperatura excessiva.** A exposição a fogo ou temperatura superior a 130 °C pode causar explosão.
- **Siga todas as instruções de carregamento e não carregue a bateria ou ferramenta fora da faixa de temperatura especificada nas instruções.** O carregamento inadequado ou em temperatura fora da faixa especificada pode danificar a bateria e aumentar o risco de incêndio.

#### Assistência

- **Faça a manutenção da ferramenta elétrica com uma pessoa qualificada e que utilize apenas peças de reposição idênticas.** Isso irá garantir a segurança da ferramenta.
- **Nunca faça manutenção em um conjunto de baterias danificado.** A manutenção de conjuntos de baterias deve ser realizada apenas pelo fabricante ou fornecedores de serviço autorizado.

### Instruções específicas do produto

#### Operando a ferramenta

1. Instale um soquete adequado na ferramenta.
2. Defina o modo correto utilizando o botão de ajuste de velocidade (2).
3. Escolha o sentido correto usando o botão de reversão (8).
4. Posicione a ferramenta seguindo as instruções de segurança descritas neste documento.
5. Pressione e mantenha pressionado o gatilho (7).
6. Mantenha o gatilho pressionado (7) até o final da operação.

#### AVISO Risco de Ferimentos

À medida que a força da reação aumenta em relação ao torque de aperto de aperto, existe o risco do operador sofrer graves lesões corporais se a ferramenta se comportar de maneira inesperada.

- ▶ A ferramenta deve estar em bom estado de funcionamento e o sistema deve estar corretamente programado.

#### Bateria

Baterias não utilizadas por algum tempo devem ser recarregadas antes do uso.

Temperaturas acima de 50 °C (122 °F) reduzem o desempenho da bateria. Evite a exposição prolongada ao calor ou luz do sol (risco de superaquecimento).

Os contatos dos carregadores e baterias devem ser mantidos limpos.

Para otimizar a vida útil, as baterias devem ser totalmente carregadas depois de utilizadas. Para obter a maior duração possível da bateria, remova a bateria do carregador assim que estiver totalmente carregada.

A bateria tem proteção contra sobrecargas que ajuda a garantir uma vida útil prolongada. Sob estresse extremo o dispositivo eletrônico da bateria desliga automaticamente o produto. Para reiniciar, desligue o produto e ligue-o novamente. Se o

produto não ligar novamente, a bateria pode ter descarregado completamente. Neste caso, ela deve ser recarregada no carregador de bateria.

### Instruções de manutenção

- **Siga as regulamentações ambientais locais do país sobre o manuseio e descarte de todos os componentes.**
- O trabalho de manutenção e reparos deve ser realizado por pessoal qualificado e utilizar apenas peças de reposição originais. Solicite orientações à assistência técnica ou peças de reposição ao fabricante ou ao revendedor autorizado mais próximo.
- A máquina deve sempre estar desconectada da fonte de energia para evitar que funcione acidentalmente.
- Desmonte e inspecione a ferramenta a cada três 3 meses se a ferramenta for usada todos os dias. Substitua peças danificadas ou desgastadas.
- Não deixe nunca que fluidos de freio, gasolina, produtos à base de petróleo, óleos penetrantes, etc., entrem em contato com peças de plástico. Produtos químicos podem danificar, enfraquecer ou destruir o plástico, o que pode resultar em ferimentos graves.
- Evite a utilização de solventes quando limpar peças de plástico. A maioria dos plásticos são suscetíveis a danos por vários tipos de solventes comerciais e podem ser danificados por sua utilização. Use panos limpos para remover sujeira, poeira, óleo, graxa, etc.

### Descarte

- O descarte deste equipamento deve seguir a legislação do respectivo país.
- Todos os dispositivos danificados, muito desgastados e em mau estado de funcionamento **DEVEM SER RETIRADOS DE FUNCIONAMENTO.**
- O conserto só pode ser feito pelo pessoal de manutenção técnica.

### Regras de segurança adicionais para chaves e chaves de fenda

#### Riscos de emaranhar-se

- **Mantenha-se afastado da propulsão rotativa.** Sufocamento, escarpelamento e/ou laceração podem ocorrer se roupas soltas, luvas, joias, colares ou cabelo não forem mantidos longe de ferramentas e acessórios.
- **Não use luvas de montagem frouxas ou luvas com cortes ou com os dedos gastos.** As luvas podem se emaranhar com o mecanismo de direção rotativo, podendo ferir ou quebrar os dedos.
- **Soquetes do mecanismo de propulsão rotativo e a extensão da propulsão podem facilmente emaranhar luvas revestidas de borracha ou reforçadas com metal.**
- **Nunca segure a direção, soquete ou extensão da direção.**

#### Perigos de operação

- **Os usuários e técnicos de manutenção devem ser fisicamente capazes de lidar com o volume, peso e potência da ferramenta.**

- **Segure a ferramenta corretamente: esteja pronto para reagir a movimentos súbitos ou mesmo aos normais.** Tenha as duas mãos disponíveis.
- **Imediatamente após ajustar a embreagem, verifique se a operação está correta.**
- **Não utilize se estiver gasto.** A embreagem pode não funcionar, resultando na súbita rotação do cabo da ferramenta.
- **Segure sempre o cabo da ferramenta com firmeza, na direção oposta à rotação do eixo, a fim de reduzir o efeito da reação de torque súbito durante o aperto final ou o desaperto inicial.**
- **Se possível, utilize um braço de suspensão para absorver o torque de reação. Se não for possível, são recomendados cabos laterais para ferramentas de base reta e cabo de pistola; barras de reação para apertadeiras em ângulo.** Qualquer que seja o caso, recomenda-se usar meios para absorver o torque de reação superior a 4 Nm (3 lbf.ft) para ferramentas de base reta, superior a 10 Nm (7,5 lbf.ft) para ferramentas de cabo de pistola e superior a 60 Nm (44 lbf.ft) para apertadeiras em ângulo.

#### Perigo de projéteis

- **Sempre use proteção resistente a impacto para os olhos e o rosto quando trabalhar com ou perto da ferramenta em operação, reparo ou manutenção ou durante uma troca de acessórios.**
- **Certifique-se de que todas as outras pessoas no local estejam usando proteção resistente a impactos para os olhos e o rosto.** Mesmo pequenos projéteis podem atingir os olhos e causar cegueira.
- **Use um torquímetro para conferir as montagens que exijam torque específico.** As chamadas chaves de torque do tipo “click” não verificam condições de torque excessivo potencialmente perigosas. Ferimentos sérios podem resultar de um dispositivo de fixação com torque excessivo ou abaixo do necessário, que pode se quebrar ou afrouxar e se desprender. Montagens soltas podem se tornar fragmentos e serem projetados.
- **Não utilize encaixes de mão.** Use apenas encaixes de força ou impacto em boas condições.
- **Este produto e seus acessórios não devem ser modificados em qualquer circunstância.**

#### Perigos do movimento repetitivo

- **Quando usar uma ferramenta elétrica para executar atividades relacionadas ao trabalho, o operador pode sentir desconforto nas mãos, braços, ombros, pescoço ou outras partes do corpo.**
- **Adote uma postura confortável enquanto mantém uma posição equilibrada sobre os pés, evitando posturas inadequadas ou sem equilíbrio.** Mudar a postura durante tarefas prolongadas pode ajudar a evitar desconforto e fadiga.
- **Não ignore os sintomas, como desconforto periódico e persistente, dor, palpitações, sensibilidade, formigamento, dormência, sensação de queimação ou rigidez.** Pare de usar a ferramenta, informe seu empregador e consulte um médico.

**Perigos no local de trabalho**

- **Escorregões, tropeções e quedas são as principais causas de lesões graves ou morte.** Áreas e bancadas desorganizadas facilitam acidentes.
- **Não utilize em espaços muito apertados.** Cuidado para não esmagar as mãos entre a ferramenta e a peça trabalhada, especialmente ao desparafusar.
- **Níveis sonoros muito altos podem causar perda auditiva permanente.** Use a proteção auditiva recomendada pelo empregador e de acordo com os regulamentos de saúde e segurança do trabalho.
- **Garanta que a peça a ser trabalhada esteja fixada de forma segura.**
- **Movimentos repetitivos no trabalho, posições forçadas e exposição a vibrações podem ser nocivos para as mãos e os braços.** Se perceber dormência, formigamento, dor ou lividez da pele, pare de usar a ferramenta e consulte um médico.
- **Proceda com cuidado em ambientes desconhecidos.** Esteja ciente dos perigos potenciais criados pela sua atividade de trabalho. Esta ferramenta não é protegida contra o contato com fontes de eletricidade.

**Sinalizações e Adesivos**

O produto está equipado com sinais e autocolantes contendo informações importantes sobre segurança pessoal e manutenção do produto. Os sinais e autocolantes devem ser sempre fáceis de ler. Novos sinais e autocolantes podem ser encomendados utilizando a lista de peças sobressalentes.



s011050

**Símbolos**

	Remova o conjunto de bateria antes de iniciar qualquer trabalho na máquina.
	Leia as instruções cuidadosamente antes de ligar a máquina.
	Não descarte ferramentas elétricas juntamente com o lixo doméstico. Ferramentas elétricas e equipamento eletrônico que tenham atingido o fim da sua vida útil devem ser recolhidos separadamente e devolvidos a uma unidade de reciclagem compatível. Verifique com sua autoridade local ou revendedor quanto a reciclagem e coleta seletiva.
	Sempre use óculos de segurança ao utilizar a máquina.
$n_0$	Velocidade do motor sem carga.
V	Volts
$\text{min}^{-1}$	por minuto
	por minuto
	CUIDADO! AVISO! PERIGO!

**Informações úteis**

**País de origem**

People's Republic of China

**Website**

Informações referentes a nossos Produtos, Acessórios, Peças de Reposição e Materiais Publicados podem ser encontrados no site da Rodcraft .

Visite: [www.rodcraft.com](http://www.rodcraft.com).

**Folha de Dados de Segurança**

As Fichas de Informação de Segurança de Produto Químico descrevem os produtos químicos produzidos pela Rodcraft.

Consulte o site da Rodcraft para obter mais informações [qr.cp.com/sds](http://qr.cp.com/sds).

**Copyright**

© Copyright 2023, Desoutter GmbH, Edmund-Seng-Str. 3-5, 63477 Maintal, Germany

Todos os direitos reservados. É proibido o uso ou cópia do conteúdo ou parte dele sem autorização. Isso se aplica em particular a marcas registradas, denominações de modelo, números de peça e desenhos. Use somente peças autorizadas. Qualquer dano ou defeito causado pelo uso de peças não autorizadas não é coberto pela Garantia ou pela Responsabilidade pelo Produto.

**Dati tecnici**

**Descrizione del prodotto**

Consultare lo *Schema 2*.

1	Impugnatura morbida
2	Pulsante di regolazione velocità
3	Batteria
4	Pulsante pacco batteria
5	Luce da lavoro
6	Spia di regolazione velocità
7	Interruttore a grilletto
8	Pulsante di inversione del senso di rotazione
9	Azionamento quadrato
10	Guscio in alluminio

**Dichiarazioni**

**Dichiarazione di conformità UE**

Desoutter GmbH, Edmund-Seng-Str. 3-5, 63477 Maintal, Germany, dichiara, sotto la propria esclusiva responsabilità, che il prodotto (del tipo e con il numero di serie riportati nella pagina a fronte) è conforme alle seguenti direttive: 2006/42/EC; 2011/65/EU; 2014/30/EU



Norme armonizzate applicate:

EN 62841-1:2015/A11:2022; EN 62841-2-2:2014; EN IEC 55014-1:2021; EN IEC 55014-2:2021; EN 62233:2008

Le autorità possono richiedere informazioni tecniche pertinenti a:

Pascal Roussy, R&D Manager, Ets Georges Renault, 38 rue Bobby Sands, BP10273 44818 Saint Herblain, France

Saint-Herblain, 2023/08/28

Pascal ROUSSY

Firma



## Dichiarazione su vibrazioni e rumorosità

Descrizione	RC9067	RC9077	RC9087
Pressione acustica (K=3) (dB(A))	92,3	88,4	88,4
Potenza sonora (K=3) (dB(A))	100,3	96,4	96,4
Vibrazioni (K=1,5) (m/s <sup>2</sup> )	5,45	8,15	8,15

I valori di pressione acustica, potenza sonora e vibrazioni sono conformi a EN 62841-2-2:2014 + AC:2015.

Tali valori dichiarati sono ottenuti tramite test di laboratorio in conformità agli standard dichiarati e sono idonei al confronto con i valori dichiarati di altri utensili testati in conformità agli stessi standard. Il livello di emissione delle vibrazioni potrebbe essere usato per la valutazione preliminare dell'esposizione. Tali valori dichiarati non sono adeguati all'uso nelle valutazioni di rischio e i valori misurati in luoghi di lavoro individuali potrebbero essere più elevati. I valori di esposizione reali e il rischio di danni causati a un utente singolo sono specifici e dipendenti dal modo in cui l'utente lavora, dal pezzo e dal design del luogo di lavoro, oltre che dal tempo di esposizione e dalla condizione fisica dell'utente.

**Desoutter GmbH** non può essere ritenuta responsabile per le conseguenze derivanti dall'utilizzo dei valori dichiarati, al posto di quelli relativi all'esposizione effettiva, in una valutazione del rischio relativa a uno scenario lavorativo su cui la nostra azienda non detiene alcun controllo.

Se non è gestito correttamente, l'utilizzo del presente utensile può causare la sindrome da vibrazioni mano-braccio. Per consultare una guida UE sulle vibrazioni trasmesse a mani/braccia, accedere al sito <http://www.pneurop.eu/index.php> e selezionare "Strumenti" quindi "Normative".

Consigliamo di usare un programma di controllo sanitario atto a individuare i primi sintomi di un'eventuale esposizione alle vibrazioni, in modo da modificare le procedure di gestione e prevenire le disabilità gravi.

- i** Se questa apparecchiatura è destinata ad applicazioni di fissaggio:  
Le emissioni acustiche sono riportate come guida per il costruttore. I dati sulle emissioni acustiche e vibratorie per la macchina completa devono essere riportati nel manuale di istruzioni per la macchina.

## Requisiti regionali

### ⚠ ATTENZIONE

Questo prodotto può causare esposizione a sostanze chimiche tra cui il piombo, note allo stato della California come causa di tumori e difetti congeniti o altri problemi riproduttivi. Per maggiori informazioni consultare <https://www.p65warnings.ca.gov/>

## Informazioni sull'articolo 33 del REACH

Il Regolamento Europeo (UE) n. 1907/2006 sulla registrazione, valutazione, autorizzazione e restrizione delle sostanze chimiche (REACH) definisce, tra le altre cose, i requisiti relativi alla comunicazione nella catena di approvvigionamento. L'obbligo di informazione vale anche per i prodotti contenenti le cosiddette sostanze estremamente problematiche ("elenco delle sostanze candidate"). Il 27 giugno 2018, il piombo metallico (numero CAS 7439-92-1) è stato aggiunto all'elenco delle sostanze candidate.

In conformità con quanto indicato sopra, determinati componenti elettrici del prodotto potrebbero contenere piombo metallico. Ciò è in conformità con la legislazione vigente in materia di restrizione delle sostanze e in linea con le esenzioni legittime nella direttiva RoHS (2011/65/UE). Il piombo non colerà dal prodotto o si modificherà durante il normale utilizzo. La concentrazione di piombo nel prodotto completo è inferiore al limite di soglia applicabile. Valuta i requisiti locali sullo smaltimento del piombo al termine del ciclo di vita del prodotto.

## Sicurezza

NON SMALTIRE: DA CONSEGNARE ALL'UTENTE

### ⚠ ATTENZIONE Leggere tutti gli avvisi e le istruzioni di sicurezza unitamente alle illustrazioni e alle specifiche tecniche di questo utensile elettrico.

Il mancato rispetto delle seguenti istruzioni può causare scosse elettriche, incendi e/o gravi lesioni.

**Conservare tutti gli avvisi e le istruzioni per consultarli eventualmente in futuro.**

### ⚠ ATTENZIONE Rispettare sempre le norme ed i regolamenti locali inerenti l'installazione, il funzionamento e la manutenzione.

## Dichiarazione sull'utilizzo

- Destinato solo a un utilizzo professionale.
- Questo utensile e i suoi accessori non devono mai essere modificati.
- Non utilizzare questo prodotto se è stato danneggiato.
- Se le targhette indicanti i dati del prodotto o i segnali di pericolo del prodotto diventano illeggibili o si staccano, sostituirli immediatamente.
- Il prodotto deve essere installato, utilizzato e mantenuto solo da personale qualificato e in un ambiente di assemblaggio industriale.

## Uso previsto

L'avvitatore a impulso deve essere usato solo da adulti che abbiano letto e compreso le istruzioni e le avvertenze presenti nel manuale e responsabili delle proprie azioni.

- Questo prodotto è progettato per installare e rimuovere dispositivi di fissaggio in legno, metallo o plastica.
- Non utilizzare l'avvitatore a impulso per scopi diversi da quelli descritti qui sopra.
- Solo per uso interno.
- Non sono ammessi altri usi.

Usare solo i seguenti pacchi batteria e caricabatterie.

RC20BA20: 8951000467

RC20BA40: 8951000468

RC20BA60: 8951000469

I pacchi batteria devono essere ricaricati solo con i caricabatterie Rodcraft.

RC20CHEU: 8951000470

RC20CHUK: 8951000471

Per le istruzioni complete, consultare le Informazioni di sicurezza del caricabatterie (manuale stampato n. 8956002313).

## Avvisi generali di sicurezza per l'utilizzo di utensili elettrici

**⚠ ATTENZIONE** Leggere tutti gli avvisi, le istruzioni di sicurezza, le illustrazioni e le specifiche tecniche di questo utensile.

Il mancato rispetto di tutte le seguenti istruzioni può provocare scosse elettriche, incendi e/o gravi lesioni.

**Conservare tutti gli avvisi e le istruzioni per consultarli eventualmente in futuro.**

Il termine "utensile elettrico" nelle avvertenze si riferisce all'utensile elettrico alimentato tramite presa (con cavo) o tramite batterie (senza cavo).

### Sicurezza dell'area di lavoro

- **Mantenere sempre l'area di lavoro pulita e ben illuminata.** Aree sporche o buie possono favorire incidenti.
- **Non azionare gli utensili elettrici in presenza di atmosfera esplosiva oppure di liquidi, gas o polveri infiammabili.** Gli utensili elettrici generano scintille che possono infiammare polveri o vapori.
- **Tenere bambini e altre persone presenti nelle vicinanze a distanza di sicurezza durante l'utilizzo degli utensili elettrici.** Eventuali distrazioni possono provocare la perdita di controllo dell'utensile.

### Sicurezza elettrica

- **Evitare il contatto fisico con superfici connesse a terra come tubi, radiatori, forni e frigoriferi.** Un corpo messo a terra corre maggiori rischi di scosse elettriche.
- **Non esporre gli utensili elettrici alle intemperie.** Eventuali infiltrazioni d'acqua all'interno degli utensili elettrico può aumentare il rischio di scosse elettriche.

### Sicurezza personale

- **Fare attenzione a quello che si sta facendo e utilizzare il proprio buon senso durante il funzionamento di un utensile elettrico. Non utilizzare utensili elettrici in caso di affaticamento o sotto l'effetto di farmaci, sostanze alcoliche o stupefacenti.** Un attimo di disattenzione durante l'uso dell'utensile elettrico può provocare gravi lesioni personali.
- **Utilizzare dispositivi di protezione individuale. Indossare sempre un dispositivo per la protezione degli occhi.** I dispositivi di protezione come maschera per la polvere, calzature di sicurezza anti-scivolo, casco protettivo o protezioni acustiche utilizzati quando necessario sono in grado di ridurre il rischio di lesioni personali.
- **Evitare l'accensione involontaria dell'utensile. Assicurarsi che l'interruttore sia in posizione "off" prima di collegare l'utensile all'alimentazione elettrica e/o al pacco batterie, e prima di prelevarlo o trasportarlo.** Il trasporto dell'utensile elettrico tenendo le dita sull'interruttore, o alimentare l'utensile quando l'interruttore è in posizione "on" può favorire il verificarsi di incidenti.
- **Prima di accendere l'utensile, rimuovere le chiavi di regolazione.** Una chiave dimenticata su una parte mobile dell'utensile può provocare lesioni personali.
- **Non sporgersi. Mantenere sempre un equilibrio ottimale.** Ciò permette un controllo migliore dell'utensile elettrico anche in condizioni impreviste.
- **Indossare indumenti adeguati. Non indossare abiti larghi o gioielli. Tenere lontani i capelli e gli indumenti dalle parti in movimento.** Indumenti larghi, gioielli o capelli lunghi possono restare intrappolati nelle parti in movimento.
- **Se sono presenti utensili per il collegamento a dispositivi per l'estrazione e la raccolta della polvere, assicurarsi che essi siano collegati ed utilizzati in maniera idonea.** La raccolta della polvere riduce i rischi connessi alla polvere stessa.
- **Non permettere che la familiarità acquisita dall'utilizzo frequente degli utensili si trasformi in eccessiva disinvoltura ignorando i principi di sicurezza.** Un'azione incauta può causare gravi lesioni nella frazione di un secondo.
- **Impugnare saldamente l'utensile elettrico mediante le superfici di presa isolate quando si esegue un'operazione in cui il dispositivo di fissaggio può entrare in contatto con il cablaggio nascosto.** I dispositivi di fissaggio che entrano in contatto con un filo "in tensione" possono mettere "in tensione" le parti metalliche esposte dell'utensile elettrico e possono provocare scosse elettriche all'operatore.

### Utilizzo e cura degli utensili elettrici

- **Non forzare l'utensile elettrico. Utilizzare un utensile elettrico idoneo all'applicazione richiesta.** L'utilizzo di un utensile elettrico idoneo contribuisce a svolgere il lavoro in maniera migliore e più sicura, nella modalità per cui esso è stato progettato.
- **Non utilizzare l'utensile elettrico se l'interruttore non può essere acceso o spento.** Un utensile elettrico che non può essere controllato con l'interruttore è pericoloso e deve essere riparato.



- **Scollegare la spina dall'alimentazione elettrica e/o il pacco batterie dall'utensile elettrico prima di effettuare regolazioni, cambiare accessori o riporre gli utensili elettrici.** Queste misure preventive di sicurezza riducono il rischio di avvio accidentale dell'utensile elettrico.
- **Riporre gli utensili elettrici non utilizzati lontano dalla portata dei bambini e non permettere che essi siano utilizzati da persone che non ne conoscono il funzionamento o che non hanno letto queste istruzioni.** Nelle mani di persone non addestrate, gli utensili elettrici possono essere pericolosi.
- **Manutenzione di utensili elettrici e accessori. Verificare che le parti mobili siano allineate correttamente e che non siano bloccate, controllare che non vi siano parti rotte o altri problemi che potrebbero compromettere il buon funzionamento dell'utensile elettrico. In caso di danni, riparare l'utensile elettrico prima dell'uso.** Molti incidenti sono causati da utensili elettrici sottoposti a manutenzione insufficiente.
- **Gli strumenti di taglio devono essere mantenuti puliti e affilati.** Gli strumenti di taglio con bordi affilati sottoposti a manutenzione adeguata si bloccano con minore facilità e sono più semplici da controllare.
- **Utilizzare l'utensile elettrico, gli accessori e le punte in conformità alle presenti istruzioni, considerando le condizioni di utilizzo e il lavoro da eseguire.** L'utilizzo dell'utensile elettrico in modo non conforme alla tipologia di utilizzo a cui esso è destinato può causare situazioni di rischio.
- **Mantenere asciutte e pulite le impugnature e le superfici di presa, nonché prive di olio e grasso.** Impugnature o superfici di presa scivolose non consentono una manipolazione sicura né il controllo dell'utensile in situazioni impreviste.

#### Utilizzo e conservazione dell'utensile a batteria

- **Eseguire la ricarica esclusivamente con il caricabatteria specificato dal produttore.** Un caricabatterie idoneo per un determinato tipo di pacco batterie può creare il rischio di incendio se utilizzato con un altro pacco batterie.
- **Utilizzare gli utensili elettrici esclusivamente con i loro pacchi batterie specifici.** L'utilizzo di pacchi batterie diversi può creare il rischio di lesioni e di incendio.
- **Quando non viene utilizzato, tenere lontano il gruppo batterie da altri oggetti metallici come fermagli, monete, chiavi, chiodi, viti o altri piccoli oggetti di metallo che possono provocare il collegamento da un morsetto all'altro.** Mettere in cortocircuito i morsetti della batteria può causare bruciate o incendi.
- **In condizioni di utilizzo non corretto, il liquido può fuoriuscire dalla batteria. Evitare il contatto. Se si verifica il contatto accidentale con il liquido della batteria, risciacquare con acqua. Se il liquido viene in contatto con gli occhi, consultare un medico.** Il liquido fuoriuscito dalla batteria può causare irritazioni o bruciate.
- **Non utilizzare un pacco batterie o un utensile se è danneggiato o modificato.** Batterie danneggiate o modificate possono avere un comportamento imprevedibile, che può causare incendi, esplosioni o rischio di lesioni.

- **Non esporre un pacco batterie o un utensile al fuoco o a temperature eccessive.** L'esposizione al fuoco o a temperature oltre i 130 °C può causare esplosioni.
- **Seguire tutte le istruzioni di caricamento e non caricare il pacco batterie né l'utensile al di fuori dell'intervallo di temperatura specificato nelle istruzioni.** Il caricamento improprio o a temperature al di fuori dell'intervallo specificato può danneggiare la batteria e aumentare il rischio di incendio.

#### Manutenzione

- **La manutenzione dell'utensile elettrico deve essere eseguita da personale qualificato utilizzando esclusivamente ricambi identici.** Questo garantisce il mantenimento della sicurezza dell'utensile elettrico.
- **Non eseguire mai la manutenzione di pacchi batterie danneggiati.** La manutenzione dei pacchi batterie deve essere eseguita solo dal costruttore o da manutentori autorizzati.

#### Istruzioni specifiche del prodotto

##### Funzionamento dell'utensile

1. Applicare sull'utensile una bussola adatta.
2. Selezionare la modalità giusta con il pulsante di regolazione velocità (2).
3. Scegliere la direzione corretta usando il pulsante di inversione (8).
4. Posizionare l'utensile seguendo le istruzioni di sicurezza descritte in questo documento.
5. Tenere premuto l'interruttore a grilletto (7).
6. Tenere premuto il grilletto (7) fino alla fine dell'operazione.

#### ATTENZIONE Rischi di infortuni

Poiché la forza di reazione aumenta proporzionalmente alla coppia di serraggio, potrebbero verificarsi gravi infortuni fisici per l'operatore in caso di comportamento imprevisto dell'utensile.

- ▶ Verificare che l'utensile sia perfettamente funzionale e il sistema programmato correttamente.

#### Batteria

I pacchi batteria che non sono stati utilizzati per un certo intervallo di tempo devono essere ricaricati prima dell'uso. Le temperature superiori a 50 °C (122 °F) pregiudicano le prestazioni del pacco batteria. Evitare un'esposizione prolungata al calore o ai raggi solari a causa di un pericolo di surriscaldamento.

I contatti dei caricatori e dei pacchi batteria devono essere sempre puliti.

Per una durata ottimale, i pacchi batteria devono essere ricaricati completamente dopo l'uso. Per ottenere la maggiore durata possibile della batteria, rimuovere il pacco batteria dal caricatore una volta che questo è completamente ricaricato.

La batteria è dotata della protezione da sovraccarico, che la protegge da eventuali sovraccarichi e permette di garantirne la lunga durata. In caso di condizioni di estrema pressione, le componenti elettroniche della batteria spengono automaticamente il prodotto. Per riavviarlo, spegnere e riaccendere il

prodotto. Se il prodotto non si riavvia, la batteria potrebbe essere completamente scarica. In tal caso deve essere ricaricata nel caricatore della batteria.

### Istruzioni per la manutenzione

- **Seguire le normative ambientali del rispettivo Paese per la manipolazione e lo smaltimento sicuri di tutti i componenti.**
- I lavori di manutenzione e riparazione devono essere eseguiti da personale qualificato utilizzando solo parti di ricambio originali. Contattare il produttore o il rivenditore autorizzato più vicino per una consulenza sull'assistenza tecnica o in caso di necessità di parti di ricambio.
- Assicurarsi sempre che la macchina sia scollegata dall'alimentazione per evitare l'azionamento accidentale.
- Smontare e ispezionare l'utensile ogni 3 mesi se l'utensile è usato quotidianamente. Sostituire le parti danneggiate o usurate.
- Non mettere mai fluido freni, benzina, prodotti a base di petrolio, oli penetranti ecc. in contatto con i pezzi in plastica. Gli agenti chimici possono danneggiare, indebolire o distruggere la plastica, il che può causare lesioni personali gravi.
- Evitare l'uso di solventi durante la pulizia dei pezzi in plastica. Molte plastiche sono soggette a danni da parte di vari tipi di solventi commerciali e possono essere danneggiate dall'uso degli stessi. Utilizzare vestiti puliti per rimuovere sporco, polvere, olio, grasso, ecc.

### Smaltimento

- Lo smaltimento di questa apparecchiatura deve essere conforme alle norme del rispettivo paese.
- Tutti i dispositivi danneggiati, gravemente usurati o che funzionano in modo irregolare **DEVONO ESSERE MESSI FUORI SERVIZIO.**
- Le riparazioni devono essere eseguite unicamente dal personale addetto alla manutenzione.

### Ulteriori istruzioni di sicurezza per cacciaviti e chiavi

#### Rischi causati dal rimanere impigliati

- **Tenersi lontano dal comando rotante.** Se indumenti larghi, guanti, gioielli e collane non sono tenuti a distanza dall'utensile e dagli accessori, si può rischiare il soffocamento e/o lacerazioni, anche al cuoio capelluto se i capelli restano impigliati.
- **Non indossare guanti larghi o guanti tagliati o logori.** I guanti possono restare impigliati nel meccanismo di rotazione, causando l'amputazione o la frattura delle dita.
- **Le bussole rotanti e le relative prolunghie possono facilmente intrappolare guanti con rivestimento in gomma o guanti rinforzati con metallo.**
- **Non afferrare mai il meccanismo di rotazione, la bussole o la prolunga.**

#### Rischi connessi all'utilizzo

- **Gli operatori e gli addetti alla manutenzione devono essere fisicamente in grado di maneggiare la mole, il peso e la potenza erogata dall'utensile.**
- **Tenere l'attrezzo correttamente. Tenersi pronti a controbilanciare movimenti sia normali che improvvisi.** Entrambe le mani devono essere libere.
- **Subito dopo aver regolato la frizione, controllare che funzioni correttamente.**
- **Non utilizzare se la frizione è usurata.** La frizione potrebbe non funzionare e dare origine a un'improvvisa rotazione dell'impugnatura dell'utensile.
- **Tenere l'impugnatura dell'utensile con fermezza, nella direzione opposta rispetto alla rotazione del mandrino per ridurre l'effetto dell'improvvisa reazione alla coppia durante il serraggio finale e la svitatura iniziale.**
- **Se possibile, utilizzare un braccio di sospensione per assorbire la coppia di reazione. In caso contrario, si raccomanda l'utilizzo di impugnature laterali per gli utensili dritti o a pistola, e di barre di reazione per gli avvitadadi ad angolo.** In tutti i casi, si raccomanda l'impiego di un mezzo di assorbimento della coppia di reazione superiore a 4 Nm (3 lbf.ft) per gli utensili dritti, superiore a 10 Nm (7,5 lbf.ft) per gli utensili a pistola, e superiore a 60 Nm (44 lbf.ft) per gli avvitadadi ad angolo.

#### Rischi relativi agli oggetti scagliati con forza

- **Indossare sempre protezioni antiurto per gli occhi e per il volto quando si lavora con l'utensile o in prossimità di esso per operazioni di manutenzione, funzionamento o riparazione o per la sostituzione di accessori.**
- **Verificare che le altre persone nella zona stiano indossando protezioni antiurto per occhi e volto.** Anche oggetti proiettati di piccole dimensioni possono causare infortuni agli occhi o addirittura cecità.
- **Gli assemblaggi che richiedono una determinata coppia devono essere verificati utilizzando un misuratore di coppia.** Le cosiddette chiavi torsionometriche a scatto non sono in grado di rilevare condizioni di coppia eccessiva potenzialmente pericolose. I dispositivi di fissaggio a coppia eccessiva o scarsa possono causare gravi lesioni ed essere soggetti a rottura, allentamento o separazione. Le parti staccate possono diventare proiettili.
- **Non utilizzare bussole manuali.** Utilizzare esclusivamente bussole elettriche o a impulsi in buone condizioni.
- **Questo prodotto e i relativi accessori non devono essere modificati.**

#### Rischi connessi ai movimenti ripetitivi

- **Durante l'utilizzo di utensili elettrici per l'esecuzione di attività lavorative, l'operatore può provare dolore localizzato alle mani, agli arti superiori, alle spalle, collo o in altre parti del corpo.**
- **Adottare una postura comoda mantenendo un appoggio sicuro sui piedi ed evitando le posizioni scomode o sbilanciate.** Durante le lavorazioni prolungate, può essere utile cambiare posizione per evitare disagio e fatica.

- **Non ignorare sintomi persistenti e ricorrenti quali disagio, dolore, fitte, indolenzimento muscolare, formicolio, intorpidimento, bruciore o rigidità.** Interrompere l'utilizzo dell'utensile, informare il datore di lavoro e rivolgersi a un medico.

#### Rischi relativi al luogo di lavoro

- **Scivolamenti, inciampi e cadute sono un'importante causa di infortuni gravi o mortali.** Aree e banchi sporchi possono favorire gli incidenti.
- **Non utilizzare in spazi ristretti.** Fare attenzione al rischio di schiacciamento delle mani tra l'utensile e il pezzo di lavoro, soprattutto durante lo svitamento.
- **Livelli di rumorosità eccessiva possono causare perdite di udito permanenti.** Utilizzare le protezioni acustiche consigliate dal datore di lavoro o imposte dalle norme relative alla salute e sicurezza sul lavoro.
- **Verificare che il pezzo sia fissato saldamente.**
- **I movimenti ripetitivi sul lavoro, le posizioni scomode e l'esposizione alle vibrazioni possono essere dannosi per le mani e le braccia.** In caso di intorpidimento, formicolio, dolore e sbianchimento della pelle, sospendere l'utilizzo dell'utensile e consultare il medico.
- **Prestare attenzione in ambienti non conosciuti.** È necessario essere consapevoli dei rischi potenziali causati dal proprio lavoro. L'utensile non è isolato dal rischio di contatto con fonti di energia elettrica.

#### Segni e adesivi

Il prodotto possiede targhette e adesivi contenenti informazioni importanti sulla sicurezza personale e sulla manutenzione del prodotto. Le targhette e gli adesivi devono essere sempre leggibili. È possibile ordinare nuove targhette e adesivi facendo riferimento alla lista dei ricambi.



s011050

#### Simboli



Rimuovere il pacco batteria prima di cominciare qualsiasi intervento sullo strumento.



Leggere le istruzioni con attenzione prima di avviare lo strumento.



Non smaltire gli utensili elettrici nei rifiuti domestici indifferenziati. Gli utensili elettrici e le apparecchiature elettroniche che hanno raggiunto la fine della propria vita utile devono essere conferiti in maniera distinta presso una struttura di riciclaggio compatibile dal punto di vista ambientale. Contattare l'autorità locale o il rivenditore al dettaglio per informazioni sul riciclaggio e sui punti di conferimento.



Indossare sempre occhiali protettivi quando si utilizza lo strumento.

$n_0$  Velocità a vuoto.

V Volt

$\text{min}^{-1}$  al minuto



Corrente continua



PRUDENZA. ATTENZIONE! PERICOLO!

## Informazioni utili

### Paese di origine

People's Republic of China

### Sito web

Il sito web Rodcraft offre informazioni su prodotti, accessori, parti di ricambio e pubblicazioni.

Visita: [www.rodcraft.com](http://www.rodcraft.com).

### Scheda di sicurezza

Le schede di sicurezza descrivono i prodotti chimici venduti da Rodcraft.

Consultare il sito Web di Rodcraft ([qr.cp.com/sds](http://qr.cp.com/sds)) per ulteriori informazioni.

### Copyright

© Copyright 2023, Desoutter GmbH, Edmund-Seng-Str. 3-5, 63477 Maintal, Germany

Tutti i diritti riservati. Qualsiasi utilizzo o copia non autorizzati dei contenuti o di parte di questi è vietato. Ciò vale in particolare per marchi registrati, denominazioni dei modelli, numeri di componente e diagrammi. Utilizzare solo componenti autorizzati. Un eventuale danneggiamento o difetto di funzionamento causato dall'utilizzo di componenti non autorizzati non è coperto dalla garanzia o dalla responsabilità per danno da prodotti difettosi.

## Technische gegevens

### Productbeschrijving

Zie *Schema 2*.

1	Zachte handgreep
2	Snelheidsregelknop
3	Batterij
4	Knop voor batterij
5	Werklamp
6	Indicatorlamp snelheidsaanpassing
7	Schakeltrekker
8	Omkeerknop
9	Aandrijfvierkant
10	Aluminium behuizing

## Verklaringen

### EU-conformiteitsverklaring

Wij, **Desoutter GmbH**, Edmund-Seng-Str. 3-5, 63477 Maintal, Germany verklaren dat het product (met naam, type- en serienummer, zie voorpagina) in overeenstemming is met de volgende richtlijn(en):



2006/42/EC; 2011/65/EU; 2014/30/EU

Toegepaste geharmoniseerde normen:

EN 62841-1:2015/A11:2022; EN 62841-2-2:2014; EN IEC 55014-1:2021; EN IEC 55014-2:2021; EN 62233:2008

Autoriteiten kunnen relevante technische informatie opvragen van:

Pascal Roussy, R&D Manager, Ets Georges Renault, 38 rue Bobby Sands, BP10273 44818 Saint Herblain, France

Saint-Herblain, 2023/08/28

Pascal ROUSSY

Handtekening

### Verklaring geluid & trilling

Beschrijving	RC9067	RC9077	RC9087
Geluidsdruk (K=3) (dB(A))	92,3	88,4	88,4
Geluidsvermogen (K=3) (dB(A))	100,3	96,4	96,4
Trilling (K=1,5) (m/s <sup>2</sup> )	5,45	8,15	8,15

Geluidsdruk, geluidsvermogen en trillingswaarden zijn in overeenstemming met EN 62841-2-2:2014 + AC:2015.

Deze aangegeven waarden zijn verkregen door middel van laboratoriumtests volgens de opgegeven normen en zijn geschikt voor vergelijking met de aangegeven waarden van andere gereedschappen die volgens dezelfde normen zijn getest. Het trillingsemissieniveau kan worden gebruikt voor een voorlopige evaluatie van de blootstelling. Deze aangegeven waarden zijn niet geschikt voor gebruik in risicobeoordelingen. Waardes op individuele werkplekken kunnen hoger zijn. De werkelijke blootstellingswaarden en het risico van schade die een individuele gebruiker ondervindt zijn uniek en hangen af van de manier waarop de gebruiker werkt, van het werkstuk en van het ontwerp van het werkstation, alsook van de blootstellingstijd en de fysieke conditie van de gebruiker.

Wij, **Desoutter GmbH**, zijn niet aansprakelijk voor de gevolgen van het gebruik van de weergegeven waarden, in plaats van waarden die passen bij de werkelijke blootstelling, zoals bepaald via een afzonderlijke risicobeoordeling, en in een werksituatie waarover wij geen controle hebben

Indien dit gereedschap niet naar behoren wordt gebruikt, kan dit het hand-arm vibratiesyndroom veroorzaken. Een EU-richtlijn voor hand-armtrillingen vindt u op <http://www.pneurop.eu/index.php>. Selecteer 'Gereedschappen' en vervolgens 'Wetgeving'.

Wij adviseren een gezondheidscontrole op te zetten om al in een vroegstadium symptomen te kunnen waarnemen die gerelateerd zouden kunnen zijn aan blootstellingen aan trillingen, zodat managementprocedures aangepast kunnen worden om toekomstig letsel te voorkomen.

- ⓘ Als deze apparatuur is bedoeld voor vaste toepassingen: De geluidsuitstoot wordt als richtlijn voor de machinebouwer verstrekt. Gegevens m.b.t. geluids- en trillingsuitstoot voor de gehele machine staan in het instructiehandboek voor de machine.

### Regionale vereisten

#### ⚠ WAARSCHUWING

Dit product kan u blootstellen aan chemicaliën, waaronder lood. Dit is een stof waarvan de Californische overheid weet dat deze kanker, aangeboren afwijkingen en vruchtbaarheidsproblemen veroorzaakt. Ga voor meer informatie naar

<https://www.p65warnings.ca.gov/>

### Informatie betreffende artikel 33 van REACH

De Europese Verordening (EU) nr. 1907/2006 inzake de registratie en beoordeling van en de autorisatie en beperkingen ten aanzien van chemische stoffen (REACH) stelt onder andere eisen met betrekking tot de communicatie in de toeleveringsketen. De informatievereiste geldt ook voor producten die zogenaamde zeer risicovolle stoffen bevatten (de 'kandidaat-slijst'). Op 27 juni 2018 werd loodmetaal (CAS-nr. 7439-92-1) toegevoegd aan de kandidaatslijst.

In overeenstemming met het bovenstaande, is deze mededeling bedoeld om u te informeren dat bepaalde elektrische componenten in het product loodmetaal kunnen bevatten. Dit is in overeenstemming met de huidige wetgeving inzake de beperking van stoffen en gebaseerd op rechtmatige uitzonderingen in de RoHS-Richtlijn (2011/65/EU). Loodmetaal lekt niet uit het product en muteert niet bij normaal gebruik en de concentratie van loodmetaal in het volledige product is ver onder de geldende drempel. Volg de lokale voorschriften bij het verwijderen van lood aan het einde van de levensduur van het product.

### Veiligheid

NIET WEGGOOIEN - AAN DE GEBRUIKER GEVEN

- ⚠ **WAARSCHUWING** Lees alle bij dit gereedschap geleverde veiligheidswaarschuwingen, instructies, illustraties en specificaties.

Indien u niet alle instructies hieronder opvolgt, kan dit leiden tot een elektrische schok, brand en/of ernstig lichamelijke letsel.

**Bewaar alle waarschuwingen en instructies, zodat u ze op en later tijdstip kunt raadplegen.**

- ⚠ **WAARSCHUWING** Alle plaatselijke wettige veiligheidsregels betreffende installatie, bediening en onderhoud moeten altijd in acht worden genomen.

### Gebruiksverklaring

- Uitsluitend voor professioneel gebruik.
- Dit product en de accessoires mogen niet gemodificeerd worden.
- Gebruik dit product niet indien het beschadigd is.
- Indien de productgegevens of de gevarenwaarschuwingen op het product onleesbaar zijn of losraken, vervang ze dan onmiddellijk.
- Het product mag uitsluitend worden geïnstalleerd, gebruikt en onderhouden door bevoegde personeel in een industriële assemblage-omgeving.

### Beoogd gebruik

Het product is uitsluitend bedoeld voor volwassenen die de instructies en waarschuwingen in deze handleiding hebben gelezen en begrepen en als verantwoordelijk kunnen worden beschouwd voor hun handelingen.

- Dit product is ontwikkeld om bevestigingsmiddelen met schroefdraad in/uit hout, metaal en kunststof te installeren/verwijderen
- Gebruik het product niet voor andere doeleinden dan hierboven beschreven.
- Alleen voor gebruik binnen.
- Ander gebruik is niet toegestaan.

Gebruik alleen de volgende batterijen en opladers.

RC20BA20: 8951000467

RC20BA40: 8951000468

RC20BA60: 8951000469

Batterijen mogen alleen worden opgeladen met Rodcraft-batterijladers.

RC20CHEU: 8951000470

RC20CHUK: 8951000471

Zie voor volledige instructies de veiligheidsinformatie van de batterijlader (documentnummer 8956002313).

### Algemene veiligheidsinstructies voor elektrisch gereedschap

**⚠ WAARSCHUWING** Lees alle bij dit product geleverde veiligheidswaarschuwingen, instructies, illustraties en specificaties.

Indien u niet alle instructies hieronder opvolgt, kan dit leiden tot een elektrische schok, brand, schade aan eigendommen en/of ernstig lichamelijk letsel.

**Bewaar alle waarschuwingen en instructies, zodat u ze op en later tijdstip kunt raadplegen.**

De term "elektrisch gereedschap" in de waarschuwingen refereert aan uw via een kabel op netvoeding aangesloten elektrisch gereedschap.

#### Veiligheid in de werkplaats

- **Zorg dat de werkplaats altijd schoon en goed verlicht is.** In rommelige of donkere ruimtes treden vaker ongelukken op.

- **Gebruik elektrisch gereedschap niet in ruimte met explosieve stoffen, zoals brandbare vloeistoffen, gasen of stof.** Elektrisch gereedschap veroorzaakt vonken die stof of rook kunnen ontsteken.
- **Houd kinderen en omstanders uit de buurt tijdens het gebruik van elektrisch gereedschap.** Als u wordt afgeleid, kunt u de controle over het gereedschap verliezen.

#### Elektriciteit en veiligheid

- **Voorkom contact van het lichaam met gearde oppervlakken, zoals pijpen, radiatoren, fornuizen en koelkasten.** Als uw lichaam geard is, is de kans op een elektrische schok groter.
- **Stel elektrisch gereedschap niet bloot aan regen of vocht.** Indien er water in het gereedschap dringt, is er een grotere kans op een elektrische schok.

#### Persoonlijke veiligheid

- **Blijf oplettend, kijk goed wat u doet en gebruik uw gezond verstand tijdens het werken met elektrisch gereedschap. Gebruik elektrische gereedschappen nooit als u moe bent of onder de invloed van drugs, alcohol of medicijnen.** Indien uw aandacht even verslapt tijdens het gebruik van elektrisch gereedschap leidt dit mogelijk tot ernstig lichamelijk letsel.
- **Gebruik veiligheidsuitrusting. Draag altijd een veiligheidsbril.** Indien veiligheidsuitrusting, zoals een stofmasker, werkschoenen met anti-slip, een helm of oorbeschermers, wordt de juiste werkomstandigheden wordt gebruikt, verlaagt u de kans op lichamelijk letsel.
- **Voorkom onbedoeld starten van het gereedschap. Controleer of de schakelaar in de uit-stand is alvorens de stroom en/of batterijdoos aan te zetten, het gereedschap op te pakken of te dragen.** Indien u elektrisch gereedschap draag met uw vinger op de schakelaar of elektrisch gereedschap op een stroombron aansluit met de schakelaar ingedrukt, leidt dit tot ongelukken.
- **Verwijder (stel)sleutels alvorens het elektrisch gereedschap in te schakelen.** Indien u een (stel)sleutel niet verwijdert van het draaiende deel van het elektrisch gereedschap leidt dit mogelijk tot lichamelijk letsel.
- **Reik niet te ver. Zorg dat u altijd stevig op uw benen staat en in balans bent.** Dit geeft u meer controle over het elektrisch gereedschap in onverwachte situaties.
- **Draag geschikte kleding. Draag geen loszittende kleding of sieraden. Houd uw haar en kleding uit de buurt van bewegende onderdelen.** Loshangende kleding, sieraden of lang haar kunnen bekneld raken tussen bewegende onderdelen.
- **Indien er apparaten geleverd zijn voor de aansluiting van stofafzuiging en -opvang, dient u ervoor te zorgen dat deze naar behoren aangesloten en gebruikt worden.** Het gebruik van stofafzuiging verkleint de kans op aan stof verwante gevaren.
- **Blijf de veiligheidsprincipes van het gereedschap nauwkeurig opvolgen, zelfs als u door veelvuldig gebruik bekend bent met de werking van het gereedschap.** Onvoorzichtig gebruik van het gereedschap kan binnen een fractie van een seconde leiden tot ernstig letsel.

- **Houd het elektrisch gereedschap vast aan de geïsoleerde handgrepen als u werkzaamheden uitvoert waarbij de bevestiger in contact kan komen met draden.** Bevestigers die een draad onder spanning raken kunnen blootliggende metalen onderdelen van het elektrisch gereedschap onder spanning zetten en de bediener een elektrische schok geven.

#### Gebruik en behandeling van uw elektrisch gereedschap

- **Voorkom overbelasting van uw elektrisch gereedschap. Gebruik het elektrisch gereedschap dat geschikt is voor de taak.** Het juiste elektrische gereedschap werkt veiliger en beter met een belasting waarvoor het is ontwikkeld.
- **Gebruik het elektrische gereedschap niet indien de aan-/uitschakelaar niet werkt.** Het is gevaarlijk als een elektrisch gereedschap niet aan- en uitgezet kan worden met de schakelaar. Het gereedschap moet eerst worden gerepareerd.
- **Verwijder de stekker uit het stopcontact en/of, indien aanwezig, de batterij van het elektrische gereedschap alvorens aanpassingen te maken, accessoires te verwisselen of elektrische gereedschappen op te slaan.** Deze preventieve veiligheidsmaatregelen verkleinen de kans op het onbedoeld inschakelen van het elektrische gereedschap.
- **Bewaar elektrische gereedschappen die niet in gebruik zijn uit de buurt van kinderen en verbied personen die niet bekend zijn met het elektrische gereedschap en deze instructies het elektrische gereedschap te gebruiken.** Elektrische gereedschappen zijn gevaarlijk in handen van onervaren gebruikers.
- **Onderhoud elektrische gereedschappen en accessoires. Controleer op verkeerd uitgelijnde of of belemde bewegende onderdelen, breuken in onderdelen en andere omstandigheden die mogelijk het gebruik van het elektrische gereedschap beïnvloeden. Beschadigd elektrisch gereedschap dient gerepareerd te worden alvorens het te gebruiken.** Veel ongelukken worden veroorzaakt door slecht onderhouden elektrisch gereedschap.
- **Houd snijgereedschappen scherp en schoon.** Goed onderhouden snijgereedschappen met scherpe snijbladen lopen minder snel vast en zijn eenvoudiger te gebruiken.
- **Gebruik het elektrische gereedschap, de accessoires en boortjes conform deze instructies. Houd hierbij rekening met werkomstandigheden en het werk dat u verricht.** Het gebruik van het elektrische gereedschap voor taken anders dan die waarvoor het gereedschap is bedoeld, kan leiden tot gevaarlijke situaties.
- **Houd handgrepen en grijpvlakken droog, schoon en vrij van olie en vet.** Gladde handgrepen en grijpvlakken maken het veilige gebruik en het veilig hanteren van het gereedschap in onverwachte omstandigheden onmogelijk.

#### Gebruik en onderhoud van batterijgereedschap

- **Laad het gereedschap uitsluitend op met de door de fabrikant aanbevolen oplader.** Een oplader die geschikt is voor een bepaald type batterij kan mogelijk brand veroorzaken wanneer deze wordt gebruikt met een andere batterij.

- **Gebruik elektrisch gereedschap uitsluitend met specifiek daarvoor bestemde batterijen.** Het gebruik van andere batterijen kan leiden tot verwondingen en brand.
- **Wanneer batterijen niet in gebruik zijn, dient u ze uit de buurt van metalen voorwerpen zoals paperclips, munten, sleutels, nagels, schroeven of andere kleine metalen voorwerpen te houden, om te voorkomen dat een verbinding tussen de batterijpolen tot stand wordt gebracht.** Kortsluiting tussen de batterijpolen kan leiden tot brandwonden en brand.
- **Verkeerd gebruik van de batterijen kan tot gevolg hebben dat er vloeistof uit de batterij loopt; raak dit niet aan. Indien er toch per ongeluk contact optreedt, spoel het getroffen gebied met water. Indien de vloeistof in contact komt met de ogen, dient u medische hulp in te roepen.** Batterijvloeistof kan irritatie en brandwonden veroorzaken.
- **Gebruik nooit een beschadigde of gewijzigde batterij.** Beschadigde of gewijzigde batterijen kunnen onvoorspelbaar werken en brand, een explosie of letsel veroorzaken.
- **Stel een batterij of gereedschap niet bloot aan vuur of een te hoge temperatuur.** Blootstelling aan vuur of een temperatuur hoger dan 130 °C kan een explosie veroorzaken.
- **Volg alle oplaadinstructies op en laad de batterij of het gereedschap niet op bij een temperatuur die buiten het in de instructies opgegeven temperatuurbereik ligt.** Als het gereedschap wordt opgeladen op een onjuiste wijze of bij een temperatuur die buiten het opgegeven bereik is, kan dit leiden tot schade aan de batterij en wordt de kans op brand groter.

#### Herstellingen en revisie

- **Laat uw elektrische gereedschap onderhouden door een bevoegde monteur en gebruik uitsluitend identieke vervangende onderdelen.** Hierdoor blijft de veiligheid van het elektrische gereedschap gewaarborgd.
- **Repareer nooit beschadigde batterijen.** Laat batterijen uitsluitend repareren door de fabrikant of door een erkende reparateur.

### Productspecifieke instructies

#### Gebruik van het gereedschap

1. Plaats een geschikte dop op het gereedschap.
2. Stel de juiste modus in met de snelheidsregelknop (2).
3. Kies de juiste richting met de omkeerknop (8).
4. Positioneer het gereedschap volgens de veiligheidsinstructies in dit document.
5. Druk de schakeltrekker (7) in en houd deze vast.
6. Houd de trekker (7) vast tot het einde van de bewerking.

#### WAARSCHUWING Risico op letsel

Naarmate de reactiekracht toeneemt in verhouding tot het aandraaimoment, is er een risico op ernstig lichamelijk letsel als gevolg van onverwacht gedrag van het gereedschap.

- ▶ Zorg dat het gereedschap in perfecte werkende staat is en dat het systeem juist is geprogrammeerd.

## AccAccu

Batterijen die enige tijd niet zijn gebruikt moeten worden opgeladen voor gebruik.

Temperaturen hoger dan 50 °C (122 °F) verminderen de prestaties van de batterij. Voorkom langdurige blootstelling aan hitte of zonlicht (risico op oververhitting).

De contactpunten van laders en batterijen moeten schoon worden gehouden.

Voor een optimale levensduur moeten batterijen volledig worden opgeladen na gebruik. Haal voor een zo lang mogelijke batterij de batterij van de lader nadat deze volledig is opgeladen.

De batterij heeft een overbelastingsbeveiliging die overbelasting voorkomt en een lange levensduur garandeert. Bij extreme belasting schakelt de batterijelektronica het product automatisch uit. Om het product opnieuw te starten, schakelt u het uit en weer in. Als het product niet opnieuw opstart, is de batterijdoos mogelijk volledig ontladen. In dit geval moet deze in de oplader worden opgeladen.

## Onderhoudsinstructies

- **Volg de plaatselijk geldende milieuvoorschriften voor zowel het veilige gebruik als de veilige afvoer van alle onderdelen.**
- Onderhouds- en reparatiewerkzaamheden mogen alleen door gekwalificeerd personeel en met originele reserveonderdelen worden uitgevoerd. Neem contact op met de fabrikant of uw dichtstbijzijnde geautoriseerde dealer voor advies over technische service of als u reserveonderdelen nodig hebt.
- Voorkom onbedoeld inschakelen van de machine door altijd te controleren of de stroomkabel van de machine losgekoppeld is van het elektriciteitsnet.
- Demonteer en controleer gereedschap dat dagelijks gebruikt wordt om de 3 maanden. Vervang beschadigde of versleten onderdelen.
- Laat remvloeistoffen, benzine, producten op basis van aardolie, doordringende oliën, etc. nooit in contact komen met kunststof onderdelen. Chemicaliën kunnen het plastic beschadigen, verzwakken of vernietigen. Dit kan leiden tot ernstig persoonlijk letsel.
- Gebruik bij het reinigen van plastic onderdelen geen oplosmiddelen. De meeste plastics zijn gevoelig voor schade door verschillende soorten commerciële oplosmiddelen en kunnen door het gebruik ervan worden beschadigd. Gebruik een schone doek om vuil, stof, olie, vet, etc. te verwijderen.

## Afvoer

- Volg de plaatselijk geldende voorschriften voor het afvoeren van dit gereedschap.
- Beschadigde, versleten of onjuist werkende gereedschappen **MOETEN BUITEN WERKING GESTELD WORDEN.**
- Reparatie mag uitsluitend door technisch onderhoudspersoneel worden uitgevoerd.

## Aanvullende veiligheidsregels voor schroevendraaiers en sleutels

### Verstrikkingsgevaar

- **Blijf uit de buurt van de draaiende aandrijving.** Als u loszittende kleding, handschoenen, sieraden, sjaals en haar niet uit de buurt van het gereedschap en accessoires houdt, kan dit leiden tot verstikking, beschadiging van haar en hoofdhuid en/of verwondingen.
- **Draag nooit loszitten handschoenen met afgeknipte of rafelige vingers.** Vingers kunnen worden afgerukt of breken indien handschoenen bekneld raken in een roterend aandrijvingsmechanisme.
- **Handschoenen met rubberen coating of metalen versteviging kunnen makkelijk bekneld raken tussen roterende krachtdoppen en uitbreidingen.**
- **Houd de aandrijving, de krachtdop of de uitbreiding nooit in uw handen.**

### Operationele risico's

- **Gebruikers en onderhoudspersoneel moet lichamelijk in staat zijn om met de omvang, het gewicht en de kracht van dit apparaat om te kunnen gaan.**
- **Houd het gereedschap op de juiste wijze vast: zorg dat u gereed bent om normale of plotselinge bewegingen op te vangen.** Gebruik beide handen.
- **Controleer meteen na het afstellen van de koppeling of het gereedschap correct werkt.**
- **Gebruik het gereedschap niet indien het beschadigd is.** Indien de koppeling niet werkt, kan de handgreep van het gereedschap plotseling gaan draaien.
- **Zorg altijd voor voldoende steun voor de handgreep van het gereedschap, in tegenovergestelde richting van de spilrotatie, om het effect te reduceren van plotselinge torsiereactie gedurende het laatste aandraaien en het aanvankelijke losdraaien.**
- **Gebruik indien mogelijk een hanger om een reactiekoppel te absorberen. Als dit niet mogelijk is, wordt het gebruik van handgrepen aan de zijkant aanbevolen voor gereedschap met rechte- en pistoolhandgrepen; reactiestangen zijn aanbevolen voor gebogen moeraanzetters.** Het is in elk geval aanbevolen een koppelreactie boven 4 Nm te absorberen voor rechte gereedschappen, boven 10 Nm voor gereedschappen met pistoolhandgreep en boven 60 Nm voor gebogen moeraanzetters.

### Gevaren in verband met wegschietende delen

- **Draag altijd slagvaste oog- en gezichtsbescherming wanneer u betrokken bent bij gebruik, reparatie of onderhoud van het gereedschap of bij het vervangen van accessoires op het gereedschap.**
- **Controleer of anderen in de werkruimte slagvaste oog- en gezichtsbescherming dragen.** Zelfs kleine wegschietende voorwerpen kunnen oogbeschadiging en blindheid veroorzaken.
- **Controleer montages die een bepaald koppel eisen met een koppelmeter.** Zogenaamde 'klik'-momentsleutels controleren niet op potentieel gevaarlijk hoge koppelwaarden. Bevestigingsmiddelen met een te hoog of te

laag koppel kunnen breken of losraken. Dit kan leiden tot ernstig lichamelijk letsel. Losgeraakte montages kunnen wegschieten.

- **Gebruik geen handsleutels.** Gebruik uitsluitend elektrische of luchtsleutels die in goede staat verkeren.
- **Dit gereedschap en de daarbij behorende accessoires mogen niet gewijzigd worden.**

#### Gevaar: repeterende beweging

- **Tijdens het gebruik van elektrisch gereedschap, evitaart de bediener mogelijk een onprettig gevoel in de handen, armen, schouders, nek of andere lichaamsdelen.**
- **Neem een prettige houding aan en zorg dat u in balans bent. Neem geen slechte houding aan en zorg dat u niet uit balans raakt.** Voorkom een onprettig gevoel en vermoeidheid door regelmatig van houding te veranderen gedurende langdurige taken.
- **Negeer nooit de volgende symptomen: aanhoudend of terugkerend ongemak, pijn, kloppende pijn, tintelingen, gevoelloosheid, branderigheid of stijfheid.** Staak het gebruik van het gereedschap, stel uw werkgever op de hoogte van uw ervaringen en neem contact op met een arts.

#### Werkplaatsgevaaren

- **Uitglijden, struikelen en vallen zijn belangrijke oorzaken van ernstig lichamelijk letsel of de dood.** Rommelige werkruimtes en werkbanken leiden vaker tot lichamelijk letsel.
- **Niet gebruiken in afgesloten ruimtes.** Zorg dat uw handen niet bekneld raken tussen het gereedschap en het project waaraan u werkt, vooral bij het losdraaien van schroeven.
- **Harde geluiden kunnen leiden tot permanente gehoorbeschadiging.** Gebruik oorbeschermers die worden aangeraden door uw werkgever of in de reglementen voor welzijn en veiligheid op de werkvloer.
- **Zorg ervoor dat elk project waaraan u werkt goed is bevestigd.**
- **Repeterende bewegingen, een slechte houding en blootstelling aan trillingen kunnen schade aan handen en armen toebrengen.** Indien u gevoelloosheid, tintelingen of het wit wegtrekken van de huid waarneemt, dient u het gereedschap uit te schakelen en contact met een arts op te nemen.
- **Wees voorzichtig wanneer u zich op onbekend terrein bevindt.** Zorg dat u zich bewust bent van de potentiële gevaren van uw werkzaamheden. Dit gereedschap is niet geïsoleerd tegen contact met elektrische stroombronnen.

#### Aanduidingen en stickers

Het product is voorzien van aanduidingen en stickers waarop u belangrijke informatie vindt over persoonlijke veiligheid en productonderhoud. De aanduidingen en stickers zijn altijd goed leesbaar. Nieuwe aanduidingen en stickers kunnen via de lijst met reserveonderdelen worden besteld.



s011050

#### Symbolen



Verwijder het accublok voordat u aan de machine werkt.



Lees de instructies zorgvuldig door voordat u de machine start.



Werp elektrische apparaten niet bij het huishoudelijkafval. Elektrisch gereedschap en elektronische apparatuur die het einde van hun levensduur hebben bereikt moeten afzonderlijk worden ingezameld en naar een milieuvriendelijke recyclingfaciliteit worden getourneerd. Raadpleeg uw lokale autoriteit of verkoper voor advies over recycling en het inzamelpunt.



Draag altijd een veiligheidsbril tijdens het gebruik van de machine.

$n_0$

Geen ladingssnelheid.

V

Volt

$\text{min}^{-1}$

per minuut



Gelijkstroom



LET OP! WAARSCHUWING! GEVAAR!

#### Nuttige informatie

##### Land van oorsprong

People's Republic of China

##### Website

Informatie betreffende onze producten, accessoires, reserveonderdelen en pucliaties is te vinden op de website van Rodcraft.

Ga naar: [www.rodcraft.com](http://www.rodcraft.com).

##### Veiligheidsinformatieblad

De veiligheidsinformatiebladen beschrijven de chemische producten verkocht door Rodcraft.

Raadpleeg de Rodcraft-website voor meer informatie [qr.cp.com/sds](http://qr.cp.com/sds).

##### Copyright

© Copyright 2023, Desoutter GmbH, Edmund-Seng-Str. 3-5, 63477 Maintal, Germany

Alle rechten voorbehouden. Onrechtmatig gebruik of het kopiëren van de inhoud of een deel hiervan is verboden. Dit is met name van toepassing op handelsmerken, modelnamen, onderdeelnummers en tekeningen. Gebruik uitsluitend onderdelen van Atlas Copco. Schade of defecten als gevolg van het gebruik van onderdelen van derden vallen niet onder de garantie.



## Tekniske data

### Produktbeskrivelse

Se *Schema 2*.

1	Blødt håndtag
2	Hastighedsknap
3	Batteri
4	Bund på batterisæt
5	Arbejdslygte
6	Indikatorlys for hastighedsjustering
7	Skifte-trigger
8	Returknop
9	Kvadratisk drev
10	Aluminiumsdæksel

## Erklæringer

### EU-overensstemmelseserklæring

Vi, **Desoutter GmbH**, Edmund-Seng-Str. 3-5, 63477 Maintal, Germany, erklærer, under eneansvar, at produktet (med navn, type og serienummer på forsiden) er i overensstemmelse med følgende direktiv(er):

**2006/42/EC; 2011/65/EU; 2014/30/EU**

Harmoniserede standarder anvendt:

**EN 62841-1:2015/A11:2022; EN 62841-2-2:2014; EN IEC 55014-1:2021; EN IEC 55014-2:2021; EN 62233:2008**

Myndigheder kan rekvirere relevant teknisk information fra:

Pascal Roussy, R&D Manager, Ets Georges Renault, 38 rue Bobby Sands, BP10273 44818 Saint Herblain, France

**Saint-Herblain, 2023/08/28**

**Pascal ROUSSY**



Underskrift

### Støj- og vibrationsdeklaration

Beskrivelse	RC9067	RC9077	RC9087
Lydtryk (K=3) (dB(A))	92,3	88,4	88,4
Lydeffektniveau (K=3) (dB(A))	100,3	96,4	96,4
Vibration (K=1,5) (m/s <sup>2</sup> )	5,45	8,15	8,15

Værdier for lydtryk, lydeffekt og vibration er i overensstemmelse med EN 62841-2-2:2014 + AC:2015.

Disse erklærede værdier blev indhentet efter test af laboratypen i overensstemmelse med de angivne standarder og er egnet til sammenligning med de erklærede værdier for andre værktøjer testet i overensstemmelse med samme standarder. Vibrationsemissionsniveauet kan bruges til et foreløbigt skøn af eksponering. Sådanne erklærede værdier er ikke tilstrækkelige til brug i risikovurderinger, og værdier målt på de enkelte arbejdspladser kan være højere. De faktiske eksponeringsværdier og risici for skade, som opleves af den enkelte

bruger er unikke og afhænger af, hvordan brugeren arbejder, arbejdsområdet og arbejdspladsens udlægning, så vel som af eksponeringstiden og brugerens fysiske tilstand.

Vi, **Desoutter GmbH**, hæfter ikke for følgerne af at bruge de erklærede værdier i stedet for værdier, der afspejler den faktiske udsættelse i en individuel risikovurdering som foretages i en arbejdspladssituation som vi ikke er herre over.

Dette værktøj kan forårsage hånd-arm-vibrationssyndrom, hvis anvendelse af værktøjet ikke styres på passende vis. En EU-vejledning til styring af hånd-armvibration findes ved at gå til <http://www.pneurop.eu/index.php> og vælge 'Tools' og derpå 'Legislation'.

Vi anbefaler et helbredsovervågningsprogram, så tidlige symptomer på vibrationseksponering kan blive opdaget, og ledelsesprocedurerne kan ændres mhp. at forebygge fremtidige skader.

- ⓘ Hvis dette udstyr er beregnet til fastgjorte anvendelser. Støjemissionen angives som vejledende for maskinbyggerne. Støj- og vibrationsemissionsdata for hele maskinen skulle være angivet i maskinens instruktionsbog.

### Regionale krav

#### ⚠ ADVARSEL

Dette produkt kan udsætte dig for kemikalier og bly, som af staten Californien regnes for at være kræftfremkaldende og kan føre til fosterskader og andre reproduktionsskader. For yderligere oplysninger, gå til

<https://www.p65warnings.ca.gov/>

### Oplysninger om artikel 33 i REACH

Den europæiske forordning (EU) nr. 1907/2006 om registrering, vurdering og godkendelse af samt begrænsninger for kemikalier (REACH) definerer blandt andet krav til kommunikation i forsyningskæden. Oplysningskravet gælder også for produkter, der indeholder såkaldte særligt problematiske stoffer ("kandidatlisten"). Den 27. juni 2018 blev blymetal (CAS nr. 7439-92-1) føjet til kandidatlisten.

I overensstemmelse med ovenstående skal vi meddele dig, at visse elektriske komponenter i produktet kan indeholde blymetal. Dette er i overensstemmelse med gældende lovgivning om stofbegrænsning og baseret på legitime undtagelser i RoHS-direktivet (2011/65/EU). Blymetal lækker og muterer ikke fra produktet ved normal brug, og koncentrationen af blymetal i det komplette produkt ligger langt under den gældende grænseværdi. Tag hensyn til lokale krav vedrørende bortskaffelse af bly ved slutningen af produktets levetid.

## Sikkerhed

**KASSÉR IKKE DETTE - GIV DET TIL BRUGEREN**

- ⚠ **ADVARSEL Læs alle sikkerhedsadvarsler, anvisninger, illustrationer og specifikationer, der følger med dette maskinværktøj.**

Hvis nogen af instruktionerne ikke følges, kan det føre til elektrisk stød, brand og/eller alvorlige kvæstelser.

**Gem alle advarsler og instruktioner til fremtidig brug.**

**⚠ ADVARSEL** Alle lokalt gældende sikkerhedsforskrifter omhandlende installation, drift og vedligeholdelse skal altid overholdes.

### Anvendelseserklæring

- Kun til professionel brug.
- Dette produkt og produktets tilbehør må ikke modificeres på nogen måde.
- Dette produkt må ikke bruges, hvis det er beskadiget.
- Hvis mærkaterne om produktdata eller advarsler på værktøjet ikke længere kan læses eller falder af, skal der straks sættes nye på.
- Produktet må kun installeres, betjenes og serviceres af en kvalificeret person i et industriområde.

### Tilsigtet brug

Dette produkt er kun beregnet til at blive brugt af voksne, som har læst og forstået vejledningen og advarslerne i denne brugsanvisning og kan anses for at være ansvarlige for deres handlinger.

- Dette produkt er designet til at montere og afmontere gevindskårne befæstelselementer i træ, metal eller plast.
- Produktet må ikke bruges til andre formål end beskrevet ovenfor.
- Kun til indendørs brug.
- Ingen anden anvendelse er tilladt.

Anvend kun følgende batterisæt og ladere.

RC20BA20: 8951000467

RC20BA40: 8951000468

RC20BA60: 8951000469

Batterisæt må kun oplades med Rodcraft batteriladere.

RC20CHEU: 8951000470

RC20CHUK: 8951000471

Se sikkerhedsinformationen på bagsiden af batteriladeren for en fuldstændig anvisning (tryksagsnr. 8956002313).

### Generelle sikkerhedsadvarsler for maskinværktøj

**⚠ ADVARSEL** Læs alle sikkerhedsadvarsler, anvisninger, illustrationer og specifikationer, der følger med dette produkt.

Hvis ikke alle instruktionerne følges, kan det føre til elektrisk stød, brand, skade på ejendom og/eller alvorlige kvæstelser.

**Gem alle advarsler og instruktioner til fremtidig brug.**

Udtrykket "maskinværktøj" i advarslerne henviser til maskinværktøj, der tilsluttes elnettet (med ledning), eller til batteridrevet (trådløst) maskinværktøj.

#### Sikkerhed på arbejdsområdet

- **Hold arbejdsområdet rent og godt belyst.** Rodede eller mørke områder indbyder til ulykker.

- **Undlad at bruge maskinværktøj i eksplosionsfarlige omgivelser som f.eks. ved forekomst af brændbare væsker, gasarter eller støv.** El-værktøjer danner gnister, som kan antænde støv eller dampe.
- **Hold børn og tilskuere på afstand, når du bruger et maskinværktøj.** Forstyrrelser kan få dig til at miste herredømmet over værktøjet.

#### Elsikkerhed

- **Undgå kropskontakt med jordforbundne eller jordede overflader som f.eks. rør, radiatorer, komfurer og køleskabe.** Der er forøget risiko for elektrisk stød, hvis kroppen bliver jordet eller jordforbundet.
- **Undlad at udsætte maskinværktøj for regn eller våde forhold.** Hvis der trænger vand ind i maskinværktøj, øges faren for elektrisk stød.

#### Personlig sikkerhed

- **Vær agtpågivende, pas på hvad du gør, og brug din sunde fornuft, når du betjener et maskinværktøj. Undlad at bruge maskinværktøj, hvis du er træt eller påvirket af narkotika, alkohol eller medicin.** Et øjeblik uopmærksomhed, mens du betjener maskinværktøj, kan medføre alvorlig personskade.
- **Brug personlige værnemidler. Brug altid beskyttelsesbriller.** Værnemidler som f.eks. støvmaske, skridsikre sikkerhedssko, beskyttelsehjelm eller høreværn, der anvendes under de rigtige forhold, reducerer personskader.
- **Forebyg utilsigtet start. Sørg for, at kontakten står på slukket (OFF), før du tilslutter værktøjet til en strømkilde og/eller et batteri, når du samler værktøjet op eller bærer det.** At bære maskinværktøj med din finger på kontakten, eller mens der tilføres strøm til maskinværktøj, som er tændt, indbyder til ulykker.
- **Fjern eventuelle justeringsnøgler eller skruenøgler, før maskinværktøjet tændes.** En skruenøgle eller en nøgle, som efterlades på et maskinværktøjs roterende del, kan resultere i personskade.
- **Stræk dig ikke for langt frem. Sørg altid for at have et sikkert fodfæste og i stand til at holde balancen.** Så har du bedre styr på maskinværktøjet i uventede situationer.
- **Brug passende beklædning. Du må hverken have smykker på eller være iført løstsiddende tøj. Hold hår og beklædning væk fra bevægelige dele.** Løstsiddende tøj, smykker eller langt hår kan blive viklet ind i dele i bevægelse.
- **Hvis der anvendes anordninger til tilslutning af støvudsugnings- og opsamlingsfaciliteter, skal du sikre, at de tilsluttes og bruges korrekt.** Brug af støvopsamling kan reducere støvrelaterede farer.
- **Pas på, at kendskab som følge af hyppig brug af værktøjet ikke gør dig for sikker på dig selv, så du ignorerer sikkerhedsprincipperne.** Uforsigtige handlinger kan forårsage alvorlige læsioner i brøkdelen af et sekund.
- **Værktøjet skal holdes i de isolerede gribeflader, når der udføres arbejde, hvor befæstelselementer kan komme i kontakt med skjulte ledningsnet.** Befæstelser, der kommer i kontakt med en strømførende ledning, kan gøre afdækkede metaldele på værktøjet strømførende, hvilket kan give operatøren elektrisk chok

**Brug og vedligeholdelse af maskinværktøj**

- **Undlad at bruge magt på maskinværktøjet. Brug det korrekte maskinværktøj til dit arbejde.** Det rigtige maskinværktøj vil gøre arbejdet bedre og mere sikkert til den hastighed, som det er designet til.
- **Undlad at bruge maskinværktøjet, hvis kontakten ikke tænder eller slukker det.** Ethvert maskinværktøj, som ikke kan styres med kontakten, er farligt og skal repareres.
- **Tag stikket ud af stikkontakten, og/eller afbryd batteriet fra maskinværktøjet, hvis aftageligt, før du foretager justeringer, skifter tilbehør eller lægger maskinværktøjet til opbevaring.** Sådanne forebyggende sikkerhedsforanstaltninger reducerer risikoen for at starte maskinværktøjet ved et uheld.
- **Opbevar ubenyttet maskinværktøj uden for børns rækkevidde, og lad ikke personer, som mangler kendskab til maskinværktøj eller disse instruktioner, betjene maskinværktøjet.** Maskinværktøj er farligt i hænderne på uerfarne brugere.
- **Vedligehold maskinværktøj og tilbehør. Kontrollér for skæv opstilling af bevægelige dele, brud på dele og alle andre forhold, som kan påvirke maskinværktøjets drift.** Hvis maskinværktøjet er beskadiget, skal det repareres før brug. Mange ulykker skyldes dårligt vedligeholdt maskinværktøj.
- **Hold fræseværktøj skarpt og rent.** Korrekt vedligeholdt fræseværktøj med skarpe skærekanter binder mindre og er nemmere at styre.
- **Brug maskinværktøj, tilbehør og værktøjsbits osv. i overensstemmelse med disse instruktioner og med hensyntagen til arbejdsforholdene og det arbejde, der skal udføres.** Brug af maskinværktøj til andre formål, end de formål, det er beregnet til, kan føre til farlige situationer.
- **Hold håndtag og gribeblader tørre, rene og olie- og fedtfrie.** Fedtede håndtag og gribeblader forhindrer sikker håndtering og kontrol over værktøjet i uventede situationer.

**Brug og vedligeholdelse af værktøj med batteri**

- **Må kun oplades med den oplader, der angives af producenten.** En oplader, der egner sig til én type batterier, kan skabe risiko for brand, når den anvendes til en anden type batterier.
- **Værktøjet må kun anvendes med de dertil beregnede batterier.** Hvis der anvendes andre batterier, kan det skabe risiko for kvæstelser og brand.
- **Når akkubatteriet ikke bruges, må det ikke opbevares sammen med metalgenstande såsom papirclips, mønter, nøgler, søm, skruer eller andre metalgenstande, som kan skabe forbindelse mellem polerne.** Kortslutning af batteriets poler kan give forbrændinger eller starte en brand.
- **Hvis batteriet misbruges, kan der slynges væske ud af batteriet. I så tilfælde skal man undgå kontakt med væsken. Hvis man kommer i kontakt med væsken, skal der skylles med vand. Hvis væsken kommer i øjnene, skal der desuden søges lægehjælp.** Væske, der slynges ud af batteriet, kan give irritation eller forbrændinger.

- **Hvis et batteri eller værktøj er beskadiget eller modificeret, må det ikke bruges.** Beskadigede eller modificerede batterier kan reagere uforudsigeligt og forårsage brand, eksplosion eller risiko for læsion.
- **Batteriet og værktøjet må ikke udsættes for ild eller høje temperaturer.** Hvis de udsættes for ild eller temperaturer over 130 °C, kan forårsage en eksplosion.
- **Følg alle opladningsanvisninger, og undlad at oplade batteriet eller værktøjet uden for det temperaturinterval, der anføres i vejledningen.** Forkert opladning eller ved temperaturer udenfor det anførte interval kan beskadige batteriet og øge risikoen for brand.

**Service**

- **Få værktøjet eftersat af en kvalificeret reparatør, der kun bruger identiske reservedele.** Dette vil sikre, at værktøjet forbliver sikkert at bruge.
- **Udfør aldrig service på beskadigede batterier.** Service af batterier bør kun udføres af producenten eller dertil autoriserede serviceudbydere.

**Produktspecifikke instrukser****Betjening af værktøjet**

1. Forsyn værktøjet med en passende sokkel.
2. Vælg den ønskede tilstand med hastighedsknappen (2).
3. Vælg den rigtige retning med returknappen (8).
4. Placer værktøjet henhold til de sikkerhedsforskrifter, som er angivet i dette dokument.
5. Tryk på den skifte-triggeren (7), og hold den inde.
6. Bliv ved med at trykke på begge triggeren (7), så længe værktøjet betjenes.

**⚠ ADVARSEL Risiko for skade**

Da reaktionskraften stiger i forhold til spændingsmomentet, er der risiko for alvorlig personskade for operatøren som følge af uventede værktøjsbevægelser.

- ▶ Sørg for, at værktøjet fungerer, som det skal, og at systemet er programmeret korrekt.

**Batteri**

Batterier, der ikke har været brugt i nogen tid, skal genoplades før brug.

Temperaturer over 50 °C (122°F) nedsætter batteriets levetid. Undgå længere tids udsættelse for varme eller solskin (risiko for overopvarmning).

Kontakterne på både oplader og batteri skal holdes rene.

For at opnå den optimale levetid skal batterierne oplades helt efter brug. For at opnå den længst mulige levetid for batteriet, skal det tages ud af opladeren, når det er helt opladet.

Akkubatteriet har overstrømsbeskyttelse, der beskytter det mod overstrøm og hjælpe med at sikre lang levetid. Under ekstrem belastning slukker batterielektronikken automatisk for produktet. Start igen ved at slukke produktet og tænde igen. Hvis produktet ikke starter igen, kan det være at akkubatteriet er blevet helt afladet. Hvis det er tilfældet, skal det genoplades i batteriladeren.

## Vedligeholdelsesansvisninger

- Følg de lokale miljøregler i dit land for sikker håndtering og bortskaffelse af alle komponenter.
- Vedligeholdelses- og reparationsarbejde skal udføres af kvalificeret personale, som kun bruger originale reservedele. Kontakt fabrikanten eller din nærmeste autoriserede forhandler for rådgivning om teknisk service, hvis du skal bruge reservedele.
- Sørg altid for, at maskinen er frakoblet energikilden for at undgå utilsigtet betjening.
- Adskil og efterse værktøjet hver tredje måned, hvis det bruges hver dag. Udskift defekte eller slidte dele.
- Lad aldrig bremsevæsker, benzin, råoliebaserede produkter, gennemtrængende olier osv. få kontakt med plasticdele. Kemikalier kan beskadige, svække eller ødelægge plastic, hvilket kunne resultere i alvorlig personskade.
- Undgå anvendelse af opløsningsmidler ved rengøring af plasticdele. Der er risiko for beskadigelse af de fleste slags plastic ved brug af forskellige slags opløsningsmidler, der fås i handlen. Brug rene klude til at fjerne snavs, støv, olie, fedt osv.

## Bortskaffelse

- Bortskaffelse af dette udstyr skal følge lovgivningen i de respektive lande.
- Alt beskadiget, stærkt slidt eller forkert funktionerende udstyr **SKAL TAGES UD AF DRIFT**.
- Reparation må kun udføres af teknisk personale.

## Supplerende sikkerhedsregler for skruetrækkere og skruenøgler

### Indviklingsfare

- **Hold afstand til roterende dele.** Man kan blive kvalt, skalperet og/eller sønderrevet, hvis løstsiddende tøj, handsker, smykker, halsklude og hår ikke holdes væk fra værktøj og tilbehør.
- **Du må ikke bruge løstsiddende handsker eller handsker med snittede eller flossede fingre.** Handsker kan blive viklet ind i roterende drev og forårsage afskærne eller brækkede fingre.
- **Drivspindelfatninger og drivforlængelser kan nemt gribe i gummibelagte eller metalforstærkede handsker.**
- **Hold aldrig i drivspindelen, fatningen eller drivforlængelsen.**

### Driftsfarer

- **Brugere og reparationspersonale skal være fysisk i stand til at håndtere det elektriske værktøj med hensyn til omfang, vægt og kraft.**
- **Hold værktøjet: vær parat til at modvirke almindelige eller pludselige bevægelser.** Brug begge hænder.
- **Umiddelbart efter justering af koblingen skal du tjekke, at værktøjet fungerer korrekt**
- **Det må ikke bruges, hvis det er slidt.** Det er muligt, at koblingen ikke arbejder, hvad der forårsager, at skaffet pludselig roterer.

- **Understøt altid værktøjets' håndtag godt i retningen modsat spindlens omdrejningsretning for at reducere effekten af pludselig momentreaktion under den endelige tilspænding eller første løsning.**
- **Hvor muligt bruges en støttearm til at absorbere reaktionsmomentet.** Hvis dette ikke er muligt, anbefales det at bruge sidehåndtag til værktøj med lige huse og til værktøj med pistolgreb. Reaktionsstænger anbefales til vinkelskralder. I alle tilfælde anbefales det at bruge et middel til at absorbere reaktionsmomentet over 4 Nm (3 lbf.ft) til værktøjer med lige huse, over 10 Nm (7,5 lbf.ft) til værktøjer med pistolgreb og over 60 Nm (44 lbf.ft) til vinkelskralder.

### Fare for udslyngede genstande

- **Brug altid slagfast øsen- og ansigtssvævn under eller nær arbejdet, reparation eller vedligeholdelse af værktøjet eller udskiftning af tilbehør på værktøjet.**
- **Sørg for, at alle andre i området benytter slagfast øsen- og ansigtssvævn.** Selv små udslyngede genstande kan skade øjne og forårsage blindhed.
- **Samlinger, der skal tilspændes med et særligt moment, skal kontrolleres ved hjælp af en momentmåler.** Såkaldte "klik" momentnøgler må ikke anvendes til at kontrollere for potentielt farlige, overspændte tilstande. Over- eller undertilspændte møtrikker og bolte kan forårsage alvorlig tilskadecomst, idet sådanne kan gå itu eller løsnes og falde af. Løsgjorte dele kan udgøre projektiler.
- **Undlad at bruge manuelle topnøgler.** Brug kun elektriske eller slagtopnøgler, som er i god stand.
- **Dette værktøj og dets tilbehør, må ikke modificeres.**

### Gentagne bevægelsesfarer

- **Når der anvendes elektrisk værktøj til at udføre arbejdsrelaterede aktiviteter, vil brugeren muligvis føle ubehag i hænder, arme, skuldre, nakke og andre dele af kroppen.**
- **Indtag en bekvem stilling, mens der bevares et godt fodfæste og undgå akavede eller ubalancerede stillinger.** Det kan hjælpe at skifte stilling ved langvarige opgaver for at forebygge ubehag og træthed.
- **Lad ikke symptomer som f.eks. vedvarende eller tilbagevendende ubehag, smerte, dunken, irritation, prikken, følelsesløshed, brændende fornemmelse eller stivhed gå upåagtet hen.** Hold op med at bruge værktøjet, informér din arbejdsgiver, og tal med en læge.

### Farer på arbejdspladsen

- **En af de hyppigste årsager til alvorlig og livsfarlig personskade er, at man glider, snubler eller flader.** Rodede områder og bænke indbyder til personskader.
- **Må ikke bruges i et tillukket rum.** Pas på, at hænderne ikke knuses mellem værktøjet og emnet, især når det skrues løst.
- **Høje støjniveauer kan forårsage permanent høretab.** Der skal altid bruges høreværn, som anbefalet af din arbejdsgiver eller i gældende bestemmelser for arbejdsmiljøet.
- **Sørg for, at arbejdsemnet sidder sikkert fast.**

- **Gentagne arbejdsbevægelser, forkerte stillinger og udsættelse for vibrationer kan være skadeligt for hænder og arme.** Hvis der opstår følelsesløshed, snurren eller smerter, eller huden bliver hvid, skal man ophøre med at bruge værktøjet med det samme og søge lægehjælp.
- **Udvis forsigtighed i ukendte omgivelser.** Vær opmærksom på mulige faremomenter, der kan opstå som følge af arbejdets udførelse. Dette værktøj er ikke isoleret til kontakt med elektriske strømkilder.

## Symboler og mærkater

Produktet er monteret med skilte og mærkater med vigtig information om din personlige sikkerhed og vedligeholdelse af produktet. Skiltene og mærkaterne skal altid være nemme at læse. Nye skilte og mærkater kan bestilles på reservedelslisten.



s011050

## Symboler



Fjern batteriet før påbegyndelse af arbejde på maskinen.



Læs vejledningen grundigt før start af maskinen.



Elektriske værktøjer må ikke kasseres sammen med husholdningsaffald. Elektriske værktøjer og elektronisk udstyr, hvis levetid er udløbet, skal indsamles separat og returneres til et genindvindingsanlæg af hensyn til miljøet. Tjek hos de lokale myndigheder, eller bed sælgeren om henvisning til et genindvindingsanlæg.



Brug altid sikkerhedsbriller, når du bruger maskinen.

$n_0$  Tomgangshastighed.

V Volt

$\text{min}^{-1}$  pr. minut



Jævnstrøm



Forsigtig: Advarsel! FARE!

## Nyttig information

### Oprindelsesland

People's Republic of China

### Website

Information om vores produkter, tilbehør, reservedele og publikationer kan findes på vores websted for Rodcraft.

Gå ind på: [www.rodcraft.com](http://www.rodcraft.com).

## Sikkerhedsdatasæt

Sikkerhedsdatabladet indeholder beskrivelser af kemiske produkter leveret af Rodcraft.

Se websiden tilhørende Rodcraft for yderligere oplysninger på [qr.cp.com/sds](http://qr.cp.com/sds).

## Copyright

© Copyright 2023, Desoutter GmbH, Edmund-Seng-Str. 3-5, 63477 Maintal, Germany

Alle rettigheder forbeholdes. Al uautoriseret brug eller kopiering af indholdet eller dele deraf er forbudt. Dette gælder især varemærker, modelbetegnelser, reservedelsnumre og tegninger. Brug kun autoriserede reservedele. Al skade eller fejlfunktion som følge af brug af uautoriserede dele dækkes hverken af garantien eller produktansvaret.

## Tekniske data

### Produktbeskrivelse

Se *Schema 2*.

1	Mykt håndtak
2	Knapp for hastighetsjustering
3	Batteripakke
4	Knapp for batteripakke
5	Arbejdslampe
6	Indikatorlampe for hastighetsjustering
7	Bryterutløser
8	Reverseringsknapp
9	Kvadratisk drev
10	Aluminiumsdeksel

## Erklæringer

### EU-Samsvarserklæring

Vi, **Desoutter GmbH**, Edmund-Seng-Str. 3-5, 63477 Maintal, Germany, erklærer under eget ansvar at produktet (Med navn, type og serienummer, se forsiden) er i samsvar med følgende direktiv(er):

**2006/42/EC; 2011/65/EU; 2014/30/EU**

Benyttede harmoniserede standarder:

**EN 62841-1:2015/A11:2022; EN 62841-2-2:2014; EN IEC 55014-1:2021; EN IEC 55014-2:2021; EN 62233:2008**

Myndigheder kan be om relevant teknisk information fra:

Pascal Roussy, R&D Manager, Ets Georges Renault, 38 rue Bobby Sands, BP10273 44818 Saint Herblain, France

**Saint-Herblain, 2023/08/28**

**Pascal ROUSSY**



Underskrift

**Erklæring om støy- og vibrasjonsdemping**

Beskrivelse	RC9067	RC9077	RC9087
Lydtrykknivå (K=3) (dB(A))	92,3	88,4	88,4
Lydeffektnivå (K=3) (dB(A))	100,3	96,4	96,4
Vibrasjon (K=1,5) (m/s <sup>2</sup> )	5,45	8,15	8,15

Lydtrykk, lydstyrke og vibrasjonsverdier er i samsvar med EN 62841-2-2:2014 + AC:2015.

Disse gitte verdiene ble hentet fra laboratorietesting i samsvar med de nevnte standardene, og er egnet for sammenligning med de gitte verdiene for andre verktøy testet i samsvar med de samme standardene. Vibrasjonsnivået kan bli brukt ved forhåndsvurdering av eksponering. Disse gitte verdiene er ikke tilstrekkelig til bruk i risikovurderinger, og verdier målt ved individuelle arbeidsplasser kan være høyere. Faktiske eksponeringsverdier og risiko for skade hos en individuell bruker er unike, og disse er avhengig av måten brukeren jobber på, arbeidsstykket og arbeidsstasjonen, i tillegg til eksponeringstid og brukerens fysiske helse.

Vi, **Desoutter GmbH**, kan ikke holdes ansvarlig for konsekvensene av å benytte de erklærte verdiene, i stedet for verdier som reflekterer den faktiske eksponeringen, i en individuell risikovurdering i en situasjon på arbeidsplassen som vi ikke har kontroll over.

Dette verktøyet kan forårsake hånd-arm-vibrasjonssyndrom hvis det ikke håndteres riktig. En EU-veiledning for å administrere hånd-/armvibrasjon kan bli funnet ved å gå til <http://www.pneurop.eu/index.php>, og velge «Tools» og deretter «Legislation».

Vi anbefaler at bedriftshelsetjenesten gjennomfører et program for å avdekke tidlige tegn på vibrasjonseksponering, slik at prosedyrene kan endres for å bidra til å unngå fremtidig svekkelse.

- ⓘ Dette utstyret er ment for faste applikasjoner: Støyemisjonen gis som en veiledning for maskinbyggen. Støy- og vibrasjonsemissjonsdata for den fullstendige maskinen skal gis i instruksjonshåndboken for maskinen.

**Regionale krav****⚠ ADVARSEL**

Dette produktet kan utsette deg for kjemikalier inkludert bly, noe den amerikanske staten California regner som kreftfremkallende, som årsak til fosterskader og på andre måter som skadelig for forplantningsprosessen. For mer informasjon besøkes

<https://www.p65warnings.ca.gov/>

**Informasjon angående artikkel 33 i REACH**

Den Europeiske reguleringen (EU) Nr. 1907/2006 som gjelder registrering, evaluering, autorisasjon og restriksjon av kjemikalier (REACH) definerer, blant annet, krav relatert til kommunikasjon i leveransekjeden. Informasjonskravet gjelder også produkter som inneholder såkalte stoffer av meget høy bekymring ("Kandidatlisten"). Den 27.juni, 2018 ble blymetall (CAS nr 7439-92-1) lagt til kandidatlisten.

I henhold med det ovenstående er dette for å informere deg om at visse elektriske komponenter i produktet kan inneholde blymetall. Dette er i samsvar med den gjeldende lovgivningen som gjelder restriksjoner av stoffer og basert på legitime unntak i RoHS direktivet (2011/65/EU). Blymetall vil ikke lekke eller muteres fra produktet under vanlig bruk og konsentrasjonen av blymetall i det komplette produktet er godt under den gjeldende terskelgrensen. Se over lokale krav angående avhending av bly når produktets brukstid er utløpt.

**Sikkerhet**

KAST IKKE BORT - GI TIL BRUKER

**⚠ ADVARSEL Les alle sikkerhetsadvarslene, instruksjoner, illustrasjoner og spesifikasjoner som medfølger dette elektriske verktøyet.**

Om man ikke følger instruksjonene under, kan det føre til elektrisk støt, brann og/eller alvorlige skader.

**Ta vare på alle advarsler og anvisninger for fremtidig bruk.**

**⚠ ADVARSEL Alle lokale, lovbestemte sikkerhetsregler vedrørende installasjon, operasjon og vedlikehold skal overholdes til enhver tid.****Brukserklæring**

- Kun til profesjonell bruk.
- Dette produktet og dets tilbehør må ikke på noen måte modifiseres.
- Ikke bruk dette produktet hvis det har blitt skadet.
- Dersom dataverktøyet eller farevarselkiltene på produktet ikke lenger er leselige eller løsner, må disse skiftes ut umiddelbart.
- Produktet må kun installeres, brukes og vedlikeholdes av en kvalifisert person i et industrielt monteringsmiljø.

**Tiltenkt bruk**

Dette produktet er kun beregnet brukt av vokse som har lest og forstått instruksjonene og advarslene i denne manualen, og som kan anses å være ansvarlige for sine handlinger.

- Dette produktet er designet for å installere og fjerne gjengede festeinnretninger i tre, metall eller plast.
- Ikke benytt produktet til andre formål enn beskrevet ovenfor.
- Kun til innendørs bruk.
- Annen bruk er ikke tillatt.

Bruk kun følgende batteripakker og ladere.

RC20BA20: 8951000467

RC20BA40: 8951000468

RC20BA60: 8951000469

Batteripakker må kun lades med Rodcraft-batteriladere.

RC20CHEU: 8951000470

RC20CHUK: 8951000471

For fullstendige instruksjoner, se sikkerhetsinformasjonen for batteripakkeladere (Trykk nr. 8956002313).

## Generelle sikkerhetsadvarsler for elektriske verktøy

**⚠ ADVARSEL** Les alle sikkerhetsadvarslene, instruksjoner, illustrasjoner og spesifikasjoner som medfølger dette produktet.

Dersom du ikke følger instruksjonene under, kan det føre til elektrisk støt, brann og/eller alvorlige skader.

**Ta vare på alle advarsler og anvisninger for fremtidig bruk.**

Begrepet "elektrisk verktøy" i advarslene henviser til det nettstrømdrevne (kablede) elektriske verktøyet eller det batteridrevne (kableløse) elektriske verktøyet.

### Arbeidsområdets sikkerhet

- **Hold arbeidsområdet rent, ryddig og godt belyst.** Overfylte eller mørke områder kan lede til ulykker.
- **Ikke bruk elektriske verktøy i områder hvor det er eksplosjonsfare som f.eks. ved brannfarlige væsker, gasser eller støv.** Elektriske verktøy danner gnister som kan antenne støv eller damp.
- **Hold avstand til barn og andre personer når du bruker et elektrisk verktøy.** Forstyrrelser kan føre til at du mister kontrollen.

### Elektrisk sikkerhet

- **Unngå kroppskontakt med jordete overflater som rør, radiatorer, komfyrer og kjøleskap.** Det er økt fare for elektrisk støt hvis kroppen din er jordet.
- **Utsett ikke elektrisk verktøy for regn eller våte forhold.** Vann som kommer inn i elektrisk verktøy, vil øke faren for elektrisk støt.

### Personlig sikkerhet

- **Vær oppmerksom, følg med på hva du gjør og bruk fornuft når du bruker et elektrisk verktøy. Betjen aldri et elektrisk verktøy hvis du er trøtt eller påvirket av narkotika, alkohol eller medisiner.** Et øyeblikks uoppmerksomhet ved betjening av elektriske verktøy kan føre til alvorlig personlig skade.
- **Bruk personlig verneutstyr. Bruk alltid øyevern.** Personlig verneutstyr, slik som støvmaske, sklisliske sikkerhetssko, hjelm eller hørselvern som brukes til riktige forhold, vil redusere personlige skader.
- **Forhindre utilsiktet oppstart. Se til at bryteren er i avstillingen før tilkobling til strømkilden og/eller batteripakken, før du løfter opp eller bærer verktøyet.** Det å bære elektriske verktøy med fingeren på bryteren eller strømføre elektriske verktøy med bryteren på, inviterer til ulykker.
- **Fjern enhver justeringsnøkkel eller skiftenøkkel før det elektriske verktøyet slås på.** En skiftenøkkel eller nøkkel som er festet til en roterende del av det elektriske verktøyet kan føre til personlig skade.
- **Ikke strekk deg for langt. Sørg for at du alltid har godt fotfeste og balanse.** Dette gir bedre kontroll over det elektriske verktøyet i uventede situasjoner.
- **Bruk egnede klær. Ikke bruk løstsittende klær eller smykker. Hold hender og klær borte fra bevegelige deler.** Løse klær, smykker eller langt hår kan fanges i bevegelige deler.

- **Hvis enhetene er utstyrt for tilkobling av støvuttrekings- og oppsamlingsfasiliteter, se til at disse er tilkoblet og brukes riktig.** Bruk av støvoppsamling kan redusere støvrelaterte farer.
- **Ikke la erfaring som er vunnet gjennom hyppig bruk av verktøy la deg bli ukritisk og ignorer verktøyets sikkerhetsprinsipper.** En uforsiktig handling kan forårsake alvorlige personskader innen en brøkdel av et sekund.
- **Hold det elektriske verktøyet etter de isolerte gripeoverflatene når du utfører en operasjon der tiltrekkingssenheter kan kontakte skjult kabling.** Tiltrekkingssenheter som kommer i berøring med en strømførende kabel, kan gjøre eksponerte metalldele på det elektriske verktøyet strømførende og gi operatøren et elektrisk støt.

### Bruk og pleie av elektrisk verktøy

- **Ikke bruk makt på det elektriske verktøyet. Bruk riktig elektrisk verktøy for applikasjonen.** Det riktige elektriske verktøyet vil gjøre en bedre jobb og være trygget i den hastigheten det ble utformet til.
- **Ikke bruk det elektriske verktøyet hvis bryteren ikke slås på og av.** Ethvert elektrisk verktøy som ikke kan kontrolleres med bryteren, er farlig og må repareres.
- **Koble støpselet fra strømkilden og/eller batteripakken, hvis avtakbart, fra det elektriske verktøyet før du foretar noen justeringer av, skifter tilbehør på eller oppbevarer elektriske verktøy.** Slike forebyggende sikkerhetstiltak reduserer faren for å starte det elektriske verktøyet utilsiktet.
- **Oppbevar elektriske verktøy i tomgang utilgjengelig for barn og ikke la personer som ikke er kjent med det elektriske verktøyet eller disse anvisningene bruke det elektriske verktøyet.** Elektriske verktøy er farlige i hendene på uopplærte brukere.
- **Vedlikehold av elektrisk verktøy og tilbehør. Kontroller for feiljustering eller binding av bevegelige deler, ødelagte deler og andre tilstander som kan påvirke driften av det elektriske verktøyet. Hvis det er skadet, skal det elektriske verktøyet repareres før bruk.** Mange ulykker forårsakes av dårlig vedlikeholdte elektriske verktøy.
- **Hold kutteverktøy skarpe og rene.** Tilstrekkelig vedlikeholdte kutteverktøy med skarpe kuttekanter setter seg mindre fast og er lettere å kontrollere.
- **Bruk det elektriske verktøyet, tilbehøret og verktøydelen osv. i overensstemmelse med disse anvisningene, ta med i betraktningen arbeidsforholdene og arbeidet som skal utføres.** Anvendelse av elektriske verktøy til annen bruk enn det de er beregnet til kan føre til en farlig situasjon.
- **Hold håndtak og gripeoverflater tørre, rene og fri fra olje og fett.** Glatte håndtak og gripeoverflater gjør det ikke mulig med sikker håndtering og kontroll av verktøyet i uventede situasjoner.

### Bruk og pleie av batteriverktøy

- **Lad kun opp med den laderen som er spesifisert av produsenten.** En lader som egner seg for en type batteripakke kan utgjøre brannfare ved bruk med en annen batteripakke.

- Elektriske verktøy skal kun brukes med de spesialdesignede batteripakkene. Bruk av andre batteripakker kan utgjøre en risiko for skade og brann.
- Når batteripakken ikke er i bruk, skal den holdes på avstand fra andre metallgjenstander, slik som binders, mynter, nøkler, spikre, skruer eller andre små metallgjenstander, som kan skape en forbindelse fra én terminal til den andre. Kortslutning av batteriterminalene kan forårsake forbrenninger eller brann.
- Ved misbruk kan det støtes ut væske fra batteriene, unngå kontakt med denne. Hvis det oppstår kontakt ved uhell, skyl med vann. Hvis du får væske i øynene, oppsøk i tillegg lege. Væske som støtes ut fra batteriet kan forårsake irritasjon eller forbrenninger.
- Ikke bruk en batteripakke eller verktøy som er skadet eller modifisert. Skadede eller modifiserte batterier kan utvise uforutsigbar adferd som fører til brann, eksplosjon eller fare for personskade.
- Ikke utsett en batteripakke eller verktøy for brann eller for høy temperatur. Eksponering til ild eller temperaturer over 130 °C kan føre til eksplosjon.
- Følg alle ladeanvisninger og ikke lad batteripakken eller verktøyet utenfor temperaturområdet som er spesifisert i anvisningene. Feil lading eller ved temperaturer utenfor det spesifiserte området kan skade batteriet og øke brannfaren.

#### Vedlikehold

- Få utført service på det elektriske verktøyet av en kvalifisert reparasjonsperson som kun bruker identiske reservedeler. Dette vil sørge for å opprettholde sikkerheten til det elektriske verktøyet.
- Utfør aldri service på skadede batteripakker. Service på batteripakker skal kun utføres av produsenten eller autoriserte serviceleverandører.

### Produktspesifikke instruksjoner

#### Drift av verktøyet

1. Monter verktøyet med en passende stikkontakt.
2. Innstill riktig modus ved bruk av knappen for hastighetsjustering (2).
3. Velg riktig retning ved hjelp av reverseringsknappen (8).
4. Plasser verktøyet ved å følge sikkerhetsinstruksjonene beskrevet i dette dokumentet.
5. Trykk og hold trykket på bryterutløseren (7).
6. Hold utløsertrykket (7) til slutten av operasjonen.

#### ADVARSEL Risiko for skade

Idet reaksjonstrykket øker i forhold til strammemomentet er det en risiko for alvorlig kroppslig skade på operatøren som et resultat av uforventet adferd av verktøyet.

- ▶ Påse at verktøyet er i perfekt driftstilstand og at systemet er programmert riktig.

#### Batteri

Batteripakker som ikke er benyttet på en stund må lades opp før bruk.

Temperaturer som overstiger 50 °C (122 °F) reduserer batteripakkens ytelse. Unngå omfattende eksponering for varme eller sol (risiko for overoppheting).

Kontaktene til ladere og batteripakker må holdes rene.

For optimal levetid må batteripakkene full-lades etter bruk.

For å oppnå lengst mulig levetid på batteriet, fjernes batteripakken fra laderen når det er fullladet.

Batteripakken har en overbelastningsbeskyttelse som beskytter den fra overbelastning og hjelper med å sikre et langt bruksliv. Under ekstreme påkjenninger kan batteri-elektronikken automatisk slå av produktet. For omstart må produktet slås av og så på igjen. Dersom produktet ikke starter opp igjen, kan det være batteripakken har blitt fullstendig utladet. Dersom dette er tilfelle må den lades opp i batteriladeren.

#### Vedlikeholdsinstruksjoner

- Følg landets lokale miljøregler for sikker håndtering og destruksjon av alle komponenter.
- Vedlikehold og reparasjonsarbeid må kun utføres av kvalifisert personell som kun benytter originale reservedeler. Kontakt produsenten eller din nærmeste autoriserte forhandler for veiledning eller teknisk service dersom du trenger reservedeler.
- Sørg alltid for at maskinen er frakoblet strømtilførselen for å unngå driftsulykker.
- Demonter og inspiser verktøyet hver 3. måned hvis verktøyet brukes hver dag. Erstatt skadede eller slitte deler.
- Ikke la bremsevæske, bensin, petroleumsbaserte produkter, penetrerende oljer e.l. på noe tidspunkt komme i kontakt med plastikkdelene. Kjemikalier kan skade, svekke eller ødelegge plastikk, noe som kan føre til alvorlig personskade.
- Unngå bruk av løsemidler ved rengjøring av plastikkdelene. Det meste av plastikk er disponert for skade fra forskjellige typer kommersielle løsemidler, og kan bli skadet av slik bruk. Bruk rene kluter for fjerning av smuss, støv, olje, fett osv.

#### Avhending

- Avhending av dette utstyret må følge lovgivningen i det aktuelle landet.
- Alle skadede, slitte eller feilfungerende enheter **MÅ TAS UT AV DRIFT**.
- Skal kun repareres av teknisk vedlikeholdspersonell.

#### Ekstra sikkerhetsregler for skrutrekker og skrunøkler

##### Farer med sammenfloking

- Hold deg unna drivspindler. Kveling/skalpering og/eller sår kan oppstå hvis løse klær, hansker, smykker, halsskleder og hår ikke holdes unna verktøy og tilbehør.



- Ikke bruk løstsittende hansker eller hansker med avkuttete eller frynsede fingre. Hansker kan vikle seg fast i det roterende drevet og forårsake skadede eller brukne fingre.
- Roterende drivsokler og drivutvidelser kan lett vikle inn gummibelagte eller metallforsterkede hansker.
- Hold aldri drevet, sokkelen eller drivutvidelsen.

#### Farer under drift

- Operatører og vedlikeholdspersonell må være i fysisk stand til å behandle størrelsen, vekten og styrken av verktøyet.
- Hold verktøyet på korrekt måte: Vær klar til å reagere på normale eller plutselige bevegelser. Ha begge hender tilgjengelige.
- Pass på at verktøyet fungerer riktig etter justering av clutchen.
- Skal ikke brukes i slitt tilstand. Clutchen fungerer kanskje ikke, noe som fører til plutselig rotasjon av verktøyets håndtak.
- Håndtaket på verktøyet skal alltid støttes forsvarlig i motsatt retning til spindelrotasjonen for å redusere effekten av plutselig tiltrekkingsmoment under slutttiltrekking og på begynnelsen når festeanordninger blir løsnet på.
- Hvis det er mulig, bruk en opphengsarm til å absorbere reaksjonsmomentet. Hvis det ikke er mulig, anbefales sidehåndtak for retthusede verktøy og verktøy med pistolgrep; reaksjonsstenger anbefales for vinkelskiftene. I alle tilfeller anbefales det å bruke et middel til å absorbere reaksjonsdreiemomentet over 4 Nm (3 lbf.ft) for retthusede verktøy, over 10 Nm (7,5 lbf.ft) for verktøy med pistolgrep, og over 60 Nm (44 lbf.ft) for vinkelskiftene.

#### Farer forbundet med prosjektiler

- Bruk alltid slagfast øye- og ansiktsbeskyttelse når du bruker eller er i nærheten av arbeidsområdet, ved reparasjon eller vedlikehold av verktøyet, eller når du skifter tilbehør på verktøyet.
- Sørg for at alle andre innenfor arbeidsområdet bruker slagfast øye- og ansiktsbeskyttelse. Selv små prosjektiler kan skade øynene og forårsake blindhet.
- Montasjer som trenger et spesifikt tiltrekkingsmoment, skal sjekkes ved å bruke en måler for tiltrekkingsmoment. Momentnøkler med "klikk" kan ikke brukes til å sjekke en potensielt farlig tilstand hvor det er for høyt tiltrekkingsmoment. Festeskruer som er skrudd til med for stort eller for lite dreiemoment kan forårsake alvorlige helseskader, da de kan brette, løse eller gå fra hverandre. Montasjer som er skrudd løs, kan bli til prosjektiler.
- Bruk ikke hylser beregnet for tiltrekking med håndverktøy. Bruk kun hylser beregnet til elektroverktøy eller hylser beregnet til industrielt slagverktøy som er i god stand.
- Verktøyet og tilbehøret må ikke på noen måte modifiseres.

#### Repeterende bevegelsesfarer

- Ved bruk av et elektrisk verktøy til å utføre arbeidrelaterte aktiviteter kan operatøren oppleve ubehag i hender, armer, skuldre, nakke eller andre deler av kroppen.
- Innta en behagelig posisjon mens du beholder godt fotfeste og unngår en upraktisk eller ubalansert stilling. Hvis du skifter stilling under langvarige oppgaver, kan dette hjelpe deg til å unngå ubehag og tretthet.
- Ikke ignorer symptomene, slik som vedvarende eller tilbakevendende ubehag, smerte, pulserende, verkende, prikkende, nummende, brennende følelse eller stivhet. Stopp bruken av verktøyet, gi arbeidsgiveren din beskjed og oppsøk lege.

#### Farer på arbeidsplassen

- Å skli/snuble/falle er en hyppig årsak til alvorlig skade eller død. Overfylte områder og benker kan lede til ulykker.
- Skal ikke brukes på innestengte steder. Det advares mot muligheten for å klemme hendene mellom maskinen og emnet, spesielt under utskruingen.
- Høye lydnivåer kan forårsake varig hørselstap. Bruk hørselsvern som anbefalt av arbeidsgiver eller helse- og sikkerhetsforskrifter på arbeidsplassen.
- Se til at arbeidsstykket er godt festet.
- Gjentatte arbeidsbevegelser, ubehagelige stillinger og utsettelse for vibrering kan være skadelig for hender og armer. Hvis det oppstår nummenhet, prikking, smerte eller fargetap i huden, skal du slutte å bruke verktøyet og kontakte lege.
- Gå varsomt frem i uvante omgivelser. Vær oppmerksom på eventuelle farer som skapes av arbeidsaktiviteten. Dette verktøyet er ikke isolert mot å komme i kontakt med elektriske strømkilder.

#### Tegn og klistremerker

Produktet er montert med skilt og klistremerker som inneholder viktig informasjon om personlig sikkerhet og produktvedlikehold. Skilt og klistremerker skal alltid være enkle å lese. Nye skilt og klistremerker kan bestilles ved bruk av reservedelslisten.



s011050

#### Symboler



Fjern batteripakken før arbeidet startes på maskinen.



Vennligst les instruksjonene nøye før maskinen startes.



Ikke avhende elektrisk verktøy sammen med husholdningsavfallet. Elektrisk verktøy og elektronisk utstyr som har nådd sin brukstid må innleveres separat og returneres til et miljøvennlig resirkuleringsanlegg. Kontakt dine lokale myndigheter eller leverandør for informasjon om resirkulering og resirkuleringsanlegg.



Ha alltid på briller når maskinen brukes.

$n_0$

Hastighet uten belastning.

V

Volt

$\text{min}^{-1}$

pr. minutt



Likestrøm



FORSIKTIG! ADVARSEL! FARE!

## Nyttig informasjon

### Opphavsland

People's Republic of China

### Nettsider

Du finner informasjon vedrørende produkter, tilbehør, reservedeler og publiserte saker på Rodcraft-nettstedet.

Besøk siden: [www.rodcraft.com](http://www.rodcraft.com).

### Sikkerhetsdatablad

Sikkerhetsdatabladet beskriver de kjemiske produktene solgt av Rodcraft.

Vennligst se Rodcraft nettsider for mer informasjon [qr.cp.com/sds](http://qr.cp.com/sds).

### Opphavsrett

© Copyright 2023, Desoutter GmbH, Edmund-Seng-Str. 3-5, 63477 Maintal, Germany

Alle rettigheter forbeholdes. All uautorisert bruk eller kopiering av innholdet eller en del av dette er forbudt. Dette gjelder spesielt for varemerker, modellbetegnelser, delenumre og tegninger. Bruk kun autoriserte deler. Skader eller feilfunksjoner som forårsakes av bruk av uautoriserte deler, dekkes ikke av garantien eller produktansvaret.

## Tekniset tiedot

### Tuotekuvaus

Katso *Schema 2*.

- 1 Pehmeä kahva
- 2 Nopeuden säätöpainike
- 3 Akku
- 4 Akkupainike
- 5 Työvalaisin

- 6 Nopeuden säädön merkkivalon lamppu
- 7 Kytkinliipaisin
- 8 Suunnanvaihtopainike
- 9 Neliöväännin
- 10 Alumiinisuojaus

## Vakuutukset

### EU-vaatimusten mukaisuusvakuutus

Me, **Desoutter GmbH**, Edmund-Seng-Str. 3-5, 63477 Maintal, Germany, vakuutamme yksinomaaisella vastuullamme, että tuote (nimi, tyyppi ja sarjanumero, katso etusivu) on yhdenmukainen seuraavien direktiivien kanssa:

2006/42/EC; 2011/65/EU; 2014/30/EU

Sovelletut yhdenmukaistetut standardit:

EN 62841-1:2015/A11:2022; EN 62841-2-2:2014; EN IEC 55014-1:2021; EN IEC 55014-2:2021; EN 62233:2008

Viranomaiset voivat pyytää asiaan liittyvät tekniset tiedot seuraavasta osoitteesta:

Pascal Roussy, R&D Manager, Ets Georges Renault, 38 rue Bobby Sands, BP10273 44818 Saint Herblain, France

Saint-Herblain, 2023/08/28

Pascal ROUSSY

Allekirjoitus

### Melu- ja värähdysdirektiivin selonteko

Kuvaus	RC9067	RC9077	RC9087
Äänenpaine (K=3) (dB(A))	92,3	88,4	88,4
Ääniteho (K=3) (dB(A))	100,3	96,4	96,4
Tärinä (K=1,5) (m/s <sup>2</sup> )	5,45	8,15	8,15

Äänenpaine-, ääniteho- ja värähdysarvot ovat EN 62841-2-2:2014 + AC:2015:n mukaisia.

Ilmoitetut arvot on saatu mainittujen standardien mukaisessa laboratoriotyyppisessä testauksessa ja ne soveltuvat toisten samojen standardien mukaan testattujen työkalujen ilmoitettujen arvojen keskinäiseen vertailuun. Tärinäpäästötasoa voidaan käyttää altistumisen alustavassa arvioinnissa. Ilmoitetut arvot eivät ole riittäviä käytettäväksi riskiarviointeihin, ja eri työpaikoilla mitatut arvot saattavat olla korkeampia. Yksittäisen käyttäjän kokemat todelliset altistumisarvot ja haittariski ovat ainutkertaisia ja riippuvat käyttäjän työskentelytavasta, työkappaleesta ja työasemasta samoin kuin käyttäjän altistumisajasta ja fyysisestä kunnosta.

Me, **Desoutter GmbH**, emme ole vastuussa ilmaistujen arvojen käytöstä syntyvistä seuraamuksista, todellista altistumista vastaavien arvojen sijaan, työpaikan tilanteen yksittäisessä riskiarvioinnissa, jota emme voi hallita.

Tämä työkalu voi aiheuttaa käsien ja käsivarsien värähtämistä, jos sitä ei käytetä oikealla tavalla. Käsitärinää (hand-arm vibration) koskeva EU-opas löytyy osoitteesta <http://www.pneurop.eu/index.php> valitsemalla ”Tools” ja sitten ”Legislation”.

Suosittamme säännöllisiä terveystarkastuksia värinääläistuksen aiheuttamien, värinänsairauteen viittaavien oireiden havaitsemiseksi ajoissa, jotta työohjauksella ja työympäristöön vaikuttavilla toimilla voidaan estää oireiden paheneminen tulevaisuudessa.

- i** Jos tämä laite on tarkoitettu kiinteisiin sovelluksiin: Melupäästöarvot ovat ohjeellisia koneenrakentajaa varten. Koko koneen melu- ja värinäpäästötiedot on ilmoitettava koneen käyttöohjeessa.

## Alueelliset vaatimukset

### **VAROITUS**

Tuote voi altistaa käyttäjän kemikaaleille, kuten lyijylle, jonka Kalifornian osavaltiossa tiedetään aiheuttavan syöpää ja synnynnäisiä epämuodostumia tai muuta lisääntymishaittaa. Katso lisätietoja osoitteesta

<https://www.p65warnings.ca.gov/>

## Tietoa REACH-asetuksen artiklasta 33

Euroopan REACH-asetus (EU) N:o 1907/2006 kemikaalien rekisteröinnistä, arvioinnista, lupamenettelyistä ja rajoituksesta määrittelee muun muassa toimitusketjun viestintään liittyviä velvoitteita. Tiedonantovelvoite koskee myös tuotteita, jotka sisältävät niin sanottuja erityistä huolta aiheuttavia aineita (ns. ehdokasluettelon aineita). 27. kesäkuuta 2018 tähän ehdokasluetteloon lisättiin lyijymetalli (CAS-numero 7439-92-1).

Yllä olevaa noudattaen haluamme ilmoittaa, että jotkut sähköiset komponentit tuotteessa saattavat sisältää lyijymetallia. Tämä on aineiden rajoittamista koskevan lainsäädännön mukaista ja perustuu RoHS-direktiivin (2011/65/EU) poikkeuksiin. Lyijymetalli ei vuoda eikä mutatoitu tuotteesta normaalin käytön aikana, ja lyijymetallipitoisuus valmiissa tuotteessa on huomattavasti alle sovellettavan kynnysarvon. Ota huomioon paikalliset vaatimukset lyijyn hävittämiselle tuotteen käyttöänsä lopussa.

## Turvallisuus

ÄLÄ HÄVITÄ – ANNETTAVA KÄYTTÄJÄLLE

- VAROITUS** Lue tämän sähkötyökalun mukana toimitetut kaikki turvallisuusvaroitukset, ohjeet, kuvaukset ja tekniset tiedot.

Jos kaikkia alapuolella kuvattuja ohjeita ei noudateta, seurauksena voi olla sähköisku, tulipalo ja/tai vakava henkilövahinko.

Säilytä kaikki varoitukset ja ohjeet myöhempää käyttöä varten.

- VAROITUS** Kaikkia paikallisia turvallisuusohjeita koskien asennusta, käyttöä ja huoltoa on aina noudatettava.

### Käyttötiedote

- Vain ammattikäyttöön.
- Tätä tuotetta ja sen lisälaitteita ei saa muuttaa millään tavalla.

- Älä käytä tuotetta, jos se on vaurioitunut.
- Jos tuotteen tietojen tai vaarasta varoittavat kyltit eivät ole enää selvästi luettavissa tai irtoavat, ne on vaihdettava välittömästi.
- Vain pätevä henkilö saa asentaa, käyttää ja huoltaa tuotetta teollisuusympäristössä.

## Tarkoituksenmukainen käyttö

Tuote on tarkoitettu ainoastaan vastuuntuntoisten aikuisten käyttöön. Käyttäjän tulee lukea ja ymmärtää tämän käyttöoppaan ohjeet ja varoitukset.

- Tämä laite on suunniteltu kierteitettyjen kiinnittimien asentamiseen puuhun, metalliin tai muoviin sekä irrottamiseen näistä materiaaleista.
- Älä käytä tuotetta mihinkään muuhun kuin yllä kuvattuun tarkoitukseen.
- Vain sisäkäyttöön.
- Muu käyttö on kielletty.

Käytä vain seuraavia akkuja ja latureita.

RC20BA20: 8951000467

RC20BA40: 8951000468

RC20BA60: 8951000469

Akut saa ladata vain Rodcraft-akkulatureilla.

RC20CHEU: 8951000470

RC20CHUK: 8951000471

Katso täydelliset ohjeet akkulaturin turvallisuustiedoista (painotuotenro 8956002313).

## Yleiset sähkötyökalujen turvallisuutta koskevat varoitukset

- VAROITUS** Lue tämän tuotteen mukana toimitetut kaikki turvallisuusvaroitukset, ohjeet, kuvaukset ja tekniset tiedot.

Jos kaikkia alapuolella kuvattuja ohjeita ei noudateta, seurauksena voi olla sähköisku, tulipalo, omaisuusvahinko ja/tai vakava henkilövahinko.

Säilytä kaikki varoitukset ja ohjeet myöhempää käyttöä varten.

Varoituksissa oleva nimitys "sähkökäyttöinen työkalu" viittaa verkkovirtakäyttöisiin (johdollinen) tai akkukäyttöisiin (johdoton) työkaluihin.

### Työskentelyalueen turvallisuus

- Pidä työskentelyalue puhtaana ja hyvin valaistuna.** Sekaiset tai pimeät alueet ovat riskialttiita.
- Älä käytä sähkötyökaluja räjähdysriskissä ilmapiirissä, kuten tulenarkojen nesteiden, kaasujen tai pölyn läheisyydessä.** Sähkötyökalut synnyttävät kipinöitä, jotka saattavat sytyttää ilmassa olevan pölyn tai kaasuohryyn.
- Pidä lapset ja sivulliset poissa sähkötyökalun läheisyydestä työkalua käyttäessäsi.** Liialliset häiriötekijät saattavat johtaa keskittymiskyvyn herpaantumiseen.

**Sähköturvallisuus**

- Älä kosketa maadoituksessa käytettäviin pintoihin, kuten putkiin, lämpöpattereihin ja jäähdystylaitteisiin. Voit saada sähköiskun, jos kehosi on maadoitettu.
- Älä altista sähkötyökaluja sateelle tai kosteudelle. Sähkötyökaluun pääsevä vesi lisää sähköiskun vaaraa.

**Henkilökohtainen turvallisuus**

- Ole valppaana, seuraa mitä teet ja käytä maalaisjärkeä sähkötyökalua käyttäessäsi. Älä käytä sähkötyökalua, jos olet väsynyt tai huumeiden, alkoholin tai lääkkeiden vaikutuksen alaisena. Huomiokyvyn hetkellinen herpaantuminen sähkötyökalua käytettäessä saattaa johtaa vakavaan loukkaantumiseen.
- Käytä henkilönsuojavarusteita. Käytä aina suojalaseja. Suojavarusteiden kuten pölysuojaimen, luistamattomien turvakengien, suojakypärän tai kuulosuojainten käyttö tarvittavissa olosuhteissa vähentää henkilövahinkoja.
- Estä tahaton käynnistyminen. Varmista, että virtakytkin on pois päältä -asennossa, ennen kuin liität työkalun virtalähteeseen ja/tai akkuun, tartut työkaluun tai kannat sitä. Työkalun kantaminen sormen ollessa kytkimellä tai virran kytkeminen päälle kytkimen ollessa päällä altistaa onnettomuuksille.
- Poista mahdolliset säätö- tai jakoavaimet ennen sähkötyökalun päälle kytkemistä. Sähkötyökalun pyöriin osiin jätetty säätö- tai jakoavain voi aiheuttaa henkilövahinkoja.
- Älä kurkota. Pidä aina jalat kunnolla maassa ja pysy tasapainossa. Näin sähkötyökalu on paremmin hallittavissa, jos jotakin odottamatonta tapahtuu.
- Pukeudu asianmukaisesti. Älä käytä koruja tai väljiä vaatteita. Pidä hiukset ja vaatteet erillään pyöriivistä osista. Väljät vaatteet, korut tai pitkät hiukset saattavat juuttua ja takertua liikkuviin osiin.
- Jos laitteessa on pölynpoisto tai -keräyslaite, varmista, että se on liitetty ja että sitä käytetään oikein. Pölyn kerääminen voi vähentää pölyyn liittyviä vaaratilanteita.
- Älä anna työkalun säännöllisestä käytöstä johtuvan laitetuntemuksesi tehdä sinusta omahyväistä ja ohittaa tästä syystä laiteturvallisuutta koskevia sääntöjä. Piittaamaton toiminta voi aiheuttaa vakavia henkilövahinkoja sekuntien murto-osissa.
- Pidä sähkötyökalua kiinni eristetystä tartuntapinnasta tehdessäsi toimenpiteitä, jolloin kiinnitin voi joutua kosketukseen piilossa olevien sähköjohtojen kanssa. Jos kiinnitin koskettaa jännitteistä johtoa, sähkötyökalun paljaat metalliosat saattavat tulla jännitteisiksi, jolloin laitteen käyttäjä voi saada sähköiskun.

**Sähkötyökalun käyttö ja huolto**

- Älä käytä sähkötyökalua väkisin. Käytä tehtävään sopivaa oikeaa sähkötyökalua. Oikealla sähkötyökalulla tehtävä onnistuu paremmin ja turvallisemmin sille tarkoitettussa ajassa.
- Älä käytä sähkötyökalua, jos se ei kytkeydy päälle ja pois päältä kytkimestä. Kaikki sähkötyökalut, joita ei voi hallita kytkimellä, ovat vaarallisia ja täytyy korjata.

- Irrota pistoke pistorasiasta ja/tai irrotettava akku työkalusta ennen säätöjen tekemistä, varusteiden vaihtoa tai työkalun varastoimista. Tällaiset varotoimenpiteet vähentävät sähkötyökalun tahattoman käynnistymisen riskiä.
- Säilytä sähkötyökaluja poissa lasten ulottuvilta äläkä anna henkilöiden, jotka eivät ole tottuneet sähkötyökaluun tai lukeneet näitä ohjeita, käyttää sähkötyökalua. Sähkötyökalut ovat vaarallisia sellaisten henkilöiden käsissä, jotka eivät osaa niitä käyttää.
- Pidä sähkötyökaluista ja varusteista hyvää huolta. Tarkista, että liikkuvat osat ovat kohdallaan eivätkä hankaa muita osia. Tarkista myös, ettei osissa ole vaurioita tai muita vikoja, jotka saattaisivat vaikuttaa sähkötyökalun toimintaan. Jos jokin osa on vahingoittunut, korjauta sähkötyökalu ennen käyttöä. Monet onnettomuudet johtuvat heikosti huolletuista sähkötyökaluista.
- Pidä leikkaavat työkalut terävinä ja puhtaina. Kunnolla huolletut ja terävänä pidetyt leikkaavat työkalut takertelevat vähemmän ja niitä on helpompi käsitellä.
- Käytä sähkötyökalua, varusteita ja teriä yms. näiden ohjeiden mukaisesti ja huomioi työskentelyolosuhteet ja tehtävä työ. Sähkötyökalun käyttö muuhun kuin sille tarkoitettuun tehtävään voi aiheuttaa vaaratilanteita.
- Pidä kahvat ja tartuntapinnat kuivina, öljyttöminä ja rasvattomina. Liukkaat kahvat ja tartuntapinnat eivät mahdollista työkalun turvallista käsittelyä ja hallintaa odottamattomissa tilanteissa.

**Akkutyökalun käyttö ja huolto**

- Käytä lataukseen ainoastaan valmistajan suosittelemaa laturia. Tietyn tyyppiselle akulle tarkoitettu laturi voi aiheuttaa tulipalovaaran, jos sitä käytetään toisen tyyppisen akun lataamiseen.
- Käytä sähkötyökaluissa ainoastaan kyseiseen työkaluun tarkoitettuja akkuja. Muun tyyppisten akkujen käyttö saattaa johtaa henkilövahinkoihin ja tulipaloon.
- Kun akku ei ole käytössä, se täytyy säilyttää kaukana metalliesineistä, kuten paperiliittimistä, kolikoista, avaimista, nauloista, ruuveista ja muista pienistä metalliesineistä, jotka saattavat muodostaa liitännän napojen välillä. Akkunapojen välinen oikosulku voi aiheuttaa palovammoja tai tulipalon.
- Väärinkäyttynä akusta saattaa roiskua nestettä: vältä kosketusta. Jos akkunestettä joutuu iholle, huuhtele vedellä. Jos akkunestettä joutuu silmiin, hakeudu lisäksi lääkärin hoitoon. Akusta roiskuva akkuneste saattaa aiheuttaa ärsytystä tai palovammoja.
- Älä käytä viallista tai muunneltua akkua tai työkalua. Vialliset tai muunnellut akut voivat käyttäytyä ennalta arvaamattomasti aiheuttaen tulipalon, räjähdysten tai henkilövahingon.
- Älä altista akkua tai työkalua avotulelle tai äärimaisille lämpötiloille. Altistuminen avotulelle tai yli 130 °C:n lämpötiloille voi aiheuttaa räjähdysten.
- Noudata kaikkia latausohjeita äläkä lataa akkua tai työkalua ohjeissa määriteltyjen lämpötilojen ulkopuolella. Virheellinen lataus tai ohjeiden mukaan määriteltyjen lämpötilojen ulkopuolella suoritettu lataus voi aiheuttaa akkuvaurion ja lisätä tulipaloriskiä.

**Huolto ja korjaukset**

- **Anna sähkötyökalu huollettavaksi pätevälle korjajalle, joka käyttää vain alkuperäisiä varaosia.** Näin varmistetaan sähkötyökalun turvallisuus.
- **Älä koskaan huolla viallisia akkuja.** Vain valmistaja tai valtuutettu huoltoliike saa suorittaa akkujen huollon.

**Tuotekohtaiset ohjeet****Työkalun käyttö**

1. Kiinnitä työkaluun sopiva istukka.
2. Aseta oikea tila nopeuden säätöpainikkeella (2).
3. Valitse oikea suunta suunnanvaihtopainikkeella (8).
4. Sijoita työkalu tässä asiakirjassa kuvattujen turvaohjeiden mukaan.
5. Pidä kytkinliipaisinta (7) painettuna.
6. Pidä liipaisinta (7) painettuna toiminnon loppuun saakka.

**⚠ VAROITUS Loukkaantumisvaara**

Koska reaktiovoima kasvaa suhteessa kiristysmomenttiin, on olemassa vaara, että käyttäjä loukkaantuu vakavasti työkalun odottamattoman toiminnan seurauksena.

- ▶ Varmista, että työkalu on täydessä toimintakunnossa ja järjestelmä ohjelmoitu oikein.

**Akku**

Jonkin aikaa käyttämättöminä olleet akut tulisi ladata uudelleen ennen käyttöä.

Yli 50 °C:n lämpötilat vähentävät akun suorituskykyä. Vältä pitkäaikaista altistamista kuumuudelle tai auringonpaisteelle (ylikuumenemisvaara).

Laturin ja akkujen liittimet on pidettävä puhtaina.

Käyttöiän optimoimiseksi akut on ladattava täyteen käytön jälkeen. Jotta akun käyttöikä pysyy mahdollisimman pitkänä, irrota täyteen ladattu akku laturista.

Akun ylikuormitussuoja suojaa akkua ylikuormitukselta ja pidentää sen käyttöikää. Kovassa rasituksessa akun elektronikka sammuttaa tuotteen automaattisesti. Käynnistä uudelleen kytkemällä tuote pois päältä ja uudelleen päälle. Jos tuote ei käynnisty uudelleen, akku on saattanut tyhjentyä täysin. Siinä tapauksessa se on ladattava uudelleen laturissa.

**Huolto-ohjeet**

- **Osien käsittelyssä ja hävittämisessä täytyy noudattaa paikallisia ympäristömääräyksiä.**
- Ainoastaan pätevät henkilöt saavat suorittaa huolto- ja korjaustöitä, ja niissä tulee käyttää ainoastaan alkuperäisiä varaosia. Ota yhteys valmistajaan tai lähimpään valtuutettuun jälleenmyyjään, jos tarvittavat tekniset huolto-ohjeet koskevia neuvoja tai varaosia.
- Varmista aina, että laite on kytketty irti virtalähteestä, jottei laite käynnisty vahingossa.
- Pura ja tarkista työkalu kolmen kuukauden välein, jos sitä käytetään joka päivä. Vaihda vaurioituneet tai kuluneet osat.

- Älä koskaan päästä jarrunesteitä, bensiiniä, öljypohjaisia tuotteita, läpäiseviä öljyjä jne. kosketuksiin muoviosien kanssa. Kemikaalit voivat vaurioittaa, heikentää tai tuhota muovia, mikä saattaa johtaa vakavaan loukkaantumiseen.
- Vältä liuottimien käyttöä puhdistaussasi muoviosia. Useimmat muovit ovat alttiita erityyppisten kaupallisten liuottimien aiheuttamille vaurioille. Käytä puhdasta liinaa lian, pölyn, öljyn, rasvan jne. poistamiseen.

**Hävitys**

- Tämä laite on hävitettävä maan paikallisia lakeja noudattaen.
- Kaikki vahingoittuneet, erittäin kuluneet tai viallisesti toimivat laitteet **TÄYTYY POISTAA KÄYTÖSTÄ.**
- Vain tekninen huoltohenkilöstö saa tehdä korjauksia.

**Ruuvinvääntimiä ja avaimia koskevia lisäturvaohjeita****Kiinni takertumisen vaara**

- **Pysy loitolla pyörivästä käyttöpyörästä.** Vaatteiden, käsineiden, korujen, solmion, huivin tai hiusten takertuminen työkaluun tai sen varusteisiin voi johtaa tukehtumiseen, päänahan irtoamiseen ja/tai syviin haavoihin.
- **Älä käytä väljiä käsineitä tai käsineitä, joiden sormiosat ovat kuluneet tai katkaistu irti.** Käsineet voivat takertua pyöriviin koneosiin aiheuttaen sormien murtumisen tai katkeamisen.
- **Kumipintaiset ja metallivahvisteiset käsineet takertuvat helposti pyörivän ulostulon hylsyihin tai jatkeisiin.**
- **Älä koskaan pidä kiinni koneen mekaanisesta ulostulosta, hylsystä tai ulostulon jatkeesta.**

**Käyttövaarat**

- **Käyttäjien ja huoltajien on pystyttävä fyysisesti käsittelemään työkalun kokoa, painoa ja voimaa.**
- **Pidä työkalusta oikein kiinni: ole valmis korjaamaan normaali tai äkkinäinen liike.** Pidä kummatkin kädet käyttövalmiina.
- **Tarkista oikea toiminta heti kytkimen säätämisen jälkeen.**
- **Älä käytä, jos se kulunut.** Kytkin ei välttämättä toimi, jolloin työkalun kahva saattaa pyöriä äkillisesti.
- **Tue aina työkalun kahvaa tukevasti vastakkaisessa suunnassa karan pyörimissuuntaan nähden vähentääksesi äkkinäisen vääntöreaktion vaikutusta loppukiristykseen ja alkulöysentämisen aikana.**
- **Jos mahdollista, käytä tukivartta reaktiomomentin vaimentamiseen. Jos se ei ole mahdollista, suorissa työkaluissa ja pistoolikahvaisissa laitteissa suositellaan käytettäväksi sivukahvoja ja kulmamutterinvääntimissä reaktiotankoja.** Suosituksena on käyttää aina jotakin tapaa reaktiomomentin vaimentamiseen yli 4 Nm:ssä (3 lbf.ft) suorissa työkaluissa, yli 10 Nm:ssä (7.5 lbf.ft) pistoolikahvaisissa työkaluissa ja yli 60 Nm:ssä (44 lbf.ft) kulmamutterinvääntimissä.

**Sinkoilevien kappaleiden aiheuttama vaara**

- Käytä aina iskunkestäviä suojalaseja ja kasvosuojusta työkalun käyttö-, korjaus- ja huoltoalueella tai niiden läheisyydessä sekä osien vaihdon yhteydessä.
- Varmista, että muut samalla alueella olevat käyttävät iskunkestäviä suojalaseja ja kasvosuojuksia. Pienetkin kappaleet voivat vaurioittaa silmiä ja aiheuttaa sokeutumisen.
- Tiettyä vääntömomenttia vaativat asennukset täytyy tarkistaa käyttämällä vääntömomentin mittaria. Niin sanotut "nakshtelevat" momenttiavaimet eivät tarkista mahdollisesti vaarallisia ylikiristyksiä. Vakava vamma tai tapaturma voi aiheutua yli- tai alikiristetyistä kiinnikkeistä, jotka voivat rikkoutua tai löystyä ja irrota. Irronneet osat voivat sinkoutua ulos.
- Älä koskaan käytä käsivääntöisiä hylsyjä. Käytä ainoastaan hyväkuntoisia voima- tai iskuhylsyjä.
- Tätä työkalua tai sen osia ei saa muuttaa millään tavalla.

**Toistuvien liikkeiden aiheuttamat vaarat**

- Kun sähkötyökalua käytetään työtehtävissä, käyttäjä saattaa tuntea epämukavuutta käsissä, käsivarsissa, hartioissa, niskassa ja muissa kehonosissa.
- Työskentele miellyttävässä mutta tukevassa asennossa ja vältä hankalia työasentoja ja epätasapainoa. Asennon vaihto pidempään kestävässä tehtävässä voi auttaa välttämään epämukavuutta ja väsymistä.
- Älä jätä oireita huomioimatta, kuten jatkuvaa tai toistuvaa epämukavuutta, kipua, pakotusta, särkyä, pistelyä, tunnottomuutta, polttavaa tunnetta tai jäykkyyttä. Keskeytä työkalun käyttö, kerro siitä työnantajalle ja ota yhteys lääkäriin.

**Työpaikkaan liittyvät vaarat**

- Liukastuminen, kompastuminen tai kaatuminen voi johtaa vakavaan tapaturmaan tai kuolemaan. Sekaiset paikat ja työpöydät ovat vaarallisia.
- Älä käytä ahtaissa tiloissa. Varo käsien joutumisesta puristukseen laitteen ja työstettävän kappaleen väliin etenkin irtikierrettäessä.
- Voimakkaat äänet voivat aiheuttaa pysyviä kuulovaurioita. Käytä työnantajan tai työterveys- ja työturvallisuusmääräysten suosittamia kuulosuojaimia.
- Varmista, että työstettävä kappale on kiinnitetty kunnolla.
- Toistuvat liikkeet, hankala työasento ja värinä voivat vahingoittaa käsiä tai käsivarsia. Jos havaitset tunnottomuutta, pistelyä, kipua tai ihon kalpenemista, keskeytä työkalun käyttö ja ota yhteys lääkäriin.
- Noudata erityistä varovaisuutta vieraassa työympäristössä. Tiedosta työskentelyn mahdollisesti aiheuttamat vaaratilanteet. Tätä työkalua ei ole eristetty suojaamaan sähkötapaturmilta sen koskettaessa sähkövirralähteitä.

**Merkit ja tarrat**

Tuote on varustettu tärkeitä turvallisuus- ja tuotetietoja koskevilla kilvillä ja tarroilla. Kilpien ja tarrojen on aina oltava luettavissa. Uudet kilvet ja tarrat voidaan tilata varaosaluettelon avulla.



s011050

**Symbolit**

	Irrota akku ennen kuin koneelle suoritetaan mitään toimenpiteitä.
	Lue ohjeet huolellisesti ennen koneen käynnistämistä.
	Älä hävitä sähkötyökaluja kotitalousjätteiden mukana. Sähkötyökalut ja elektroniikkalaitteet täytyy niiden käyttöön päätyttyä kerätä erilleen ja toimittaa ympäristöä säästävään kierrätyslaitokseen. Tarkista kierrätysohjeet ja keräyspisteen sijainti paikallisviranomaisilta tai jälleenmyyjältä.
	Käytä aina suojalaseja konetta käytettäessä.
$n_0$	Kuormittamaton nopeus.
V	Volttia
min <sup>-1</sup>	minuutissa
	Tasavirta
	HUOMIO! VAROITUS! VAARA!

**Hyödyllistä tietoa**

**Alkuperäismaa**

People's Republic of China

**Verkkosivusto**

Tietoa yrityksemme tuotteista, lisälaitteista, varaosista ja julkaisuista on Rodcraft -sivustolla.

Käy osoitteessa: [www.rodcraft.com](http://www.rodcraft.com).

**Käyttöturvallisuustiedote**

Käyttöturvallisuustiedote kuvaa Rodcraftin myymiä kemikaalituotteita.

Katso lisätietoja Rodcraftin verkkosivustolta [qr.cp.com/sds](http://qr.cp.com/sds).

**Copyright**

© Copyright 2023, Desoutter GmbH, Edmund-Seng-Str. 3-5, 63477 Maintal, Germany

Kaikki oikeudet pidätetään. Sisällön tai sen osan luvaton käyttö tai kopiointi on kielletty. Se koskee erityisesti tavamerkkejä, mallinimityksiä, osanumeroita ja piirustuk-

sia. Käytä vain hyväksytyjä varaosia. Takuu tai tuotevastuu ei korvaa mitään vaurioita tai toimintahäiriöitä, jotka johtuvat luvattomien varaosien käytöstä.

## Τεχνικά δεδομένα

### Περιγραφή προϊόντος

Ανατρέξτε στο *Schema 2*.

1	Μαλακή λαβή
2	Κουμπί ρύθμισης ταχύτητας
3	Συστοιχία μπαταρίας
4	Κουμπί της συστοιχίας μπαταριών
5	Φωτιστικό εργασίας
6	Ενδεικτική λυχνία ρύθμισης ταχύτητας
7	Σκανδάλη διακόπτη
8	Κουμπί αντιστροφής
9	Τετράγωνη μονάδα μετάδοσης κίνησης
10	Κάλυμμα αλουμινίου

## Δηλώσεις

### Δήλωση Συμμόρφωσης ΕΕ

Εμείς, η **Desoutter GmbH**, Edmund-Seng-Str. 3-5, 63477 Maintal, Germany, δηλώνουμε με αποκλειστική μας ευθύνη ότι το προϊόν (με όνομα, τύπο και σειριακό αριθμό, βλ. εξώφυλλο) συμμορφώνεται με την ακόλουθη(ες) Οδηγία (-ες):

**2006/42/EC; 2011/65/EU; 2014/30/EU**

Ισχύοντα εναρμονισμένα πρότυπα:

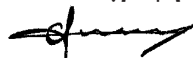
**EN 62841-1:2015/A11:2022; EN 62841-2-2:2014; EN IEC 55014-1:2021; EN IEC 55014-2:2021; EN 62233:2008**

Οι αρχές μπορούν να ζητήσουν τις σχετικές τεχνικές πληροφορίες από:

Pascal Roussy, R&D Manager, Ets Georges Renault, 38 rue Bobby Sands, BP10273 44818 Saint Herblain, France

Saint-Herblain, 2023/08/28

Pascal ROUSSY

Υπογραφή  




### Έγγραφο δήλωση επιπέδου θορύβου & δονήσεων

Περιγραφή	RC9067	RC9077	RC9087
Ηχητική πίεση (K=3) (dB(A))	92,3	88,4	88,4
Ηχητική ισχύς (K=3) (dB(A))	100,3	96,4	96,4
Δόνηση (K=1,5) (m/s <sup>2</sup> )	5,45	8,15	8,15

Οι τιμές ηχητικής πίεσης, ηχητικής ισχύος και κραδασμών είναι σύμφωνες με το πρότυπο EN 62841-2-2:2014 + AC:2015.

Αυτές οι δηλωθείσες τιμές προέκυψαν από δοκιμές τύπου εργαστηρίου σύμφωνα με τα αναφερόμενα πρότυπα και είναι κατάλληλες για σύγκριση με τις δηλωθείσες τιμές άλλων εργαλείων που δοκιμάστηκαν σύμφωνα με τα ίδια πρότυπα. Το επίπεδο εκπομπών δονήσεων μπορεί να χρησιμοποιηθεί για μια προκαταρκτική εκτίμηση της έκθεσης. Αυτές οι δηλωθείσες τιμές δεν είναι επαρκείς για χρήση σε εκτιμήσεις κινδύνου και οι τιμές που μετρώνται σε μεμονωμένους χώρους εργασίας ενδέχεται να είναι υψηλότερες. Οι πραγματικές τιμές έκθεσης και ο κίνδυνος βλάβης που αντιμετωπίζει ένας μεμονωμένος χρήστης είναι μοναδικές και εξαρτώνται από τον τρόπο εργασίας του χρήστη, το αντικείμενο εργασίας και το σχεδιασμό του σταθμού εργασίας, καθώς και από το χρόνο έκθεσης και τη φυσική κατάσταση του χρήστη.

Εμείς, η **Desoutter GmbH**, ουδεμία ευθύνη φέρουμε όσον αφορά τις συνέπειες της χρήσης των δηλωμένων τιμών, αντί των τιμών που αντικατοπτρίζουν την πραγματική έκθεση, για την αξιολόγηση κινδύνων σε χώρο εργασίας ο οποίος δεν βρίσκεται υπό τον έλεγχό μας.

Αυτό το εργαλείο μπορεί να προκαλέσει σύνδρομο χειρός-βραχίονα οφειλόμενο στους κραδασμούς αν δεν γίνει σωστή χρήση του. Μπορείτε να βρείτε έναν οδηγό της ΕΕ για τη διαχείριση των δονήσεων χειριού-βραχίονα μεταβαίνοντας στη διεύθυνση <http://www.pneurop.eu/index.php> και επιλέγοντας "Tools" (Εργαλεία) και κατόπιν "Legislation" (Νομοθεσία).

Συνιστούμε την τήρηση προγράμματος ιατρικής παρακολούθησης, για να αναγνωρίζονται τυχόν αρχικά συμπτώματα που ενδέχεται να σχετίζονται με την έκθεση σε δονήσεις, έτσι ώστε να είναι δυνατή η τροποποίηση των διαδικασιών διαχείρισης και να αποτρέπεται η πρόκληση μελλοντικών σωματικών βλαβών.

**ⓘ** Αυτός ο εξοπλισμός προορίζεται για χρήση με σταθερές εφαρμογές:

Οι εκπομπές θορύβου παρέχονται στον υπεύθυνο για το στήσιμο του μηχανήματος, ως οδηγός. Τα στοιχεία εκπομπών θορύβου και δονήσεων για το μηχάνημα στην ολοκληρωμένη μορφή του θα πρέπει να παρέχονται στο εγχειρίδιο οδηγιών του μηχανήματος.

### Περιφερειακές απαιτήσεις

#### **⚠** ΠΡΟΕΙΔΟΠΟΙΗΣΗ

Αυτό το προϊόν μπορεί να σας εκθέσει σε χημικές ουσίες, συμπεριλαμβανομένου του μόλυβδου, ο οποίος είναι γνωστός στην πολιτεία της Καλιφόρνιας ότι προκαλεί καρκίνο και γενετικές ανωμαλίες ή άλλη αναπαραγωγική βλάβη. Για περισσότερες πληροφορίες επισκεφθείτε την ιστοσελίδα

<https://www.p65warnings.ca.gov/>

### Πληροφορίες σχετικά με το Άρθρο 33 του κανονισμού REACH

Ο Ευρωπαϊκός Κανονισμός (ΕΕ) αριθ. 1907/2006 για την Καταχώριση, την Αξιολόγηση, την Αδειοδότηση και τους Περιορισμούς των Χημικών ουσιών (REACH) καθορίζει, μεταξύ άλλων, απαιτήσεις σχετικά με την επικοινωνία στην αλυσίδα εφοδιασμού. Η απαίτηση πληροφοριών ισχύει και για προϊόντα που περιέχουν τις λεγόμενες Άκρως

Ανησυχαστικές Ουσίες («Κατάλογος Υποψηφίων»). Στις 27 Ιουνίου 2018 προστέθηκε στον Κατάλογο Υποψηφίων ο μεταλλικός μολύβδος (CAS αριθ. 7439-92-1).

Σύμφωνα με τα ως άνω αναφερόμενα, αυτό σας ενημερώνει ότι ορισμένα ηλεκτρικά εξαρτήματα του προϊόντος ενδέχεται να περιέχουν μεταλλικό μολύβδο. Αυτό συμμορφώνεται με την ισχύουσα νομοθεσία περί περιορισμού ουσιών και βασίζεται σε νόμιμες εξαιρέσεις στην οδηγία RoHS (2011/65 / ΕΕ). Κατά τη διάρκεια της κανονικής χρήσης, ο μεταλλικός μολύβδος δεν θα διαρρεύσει ή θα μεταλλαχθεί από το προϊόν και η συγκέντρωση του μεταλλικού μολύβδου στο πλήρες προϊόν είναι πολύ κάτω από το ισχύον όριο. Λάβετε υπόψη τις τοπικές απαιτήσεις σχετικά με τη διάθεση του μολύβδου στο τέλος του κύκλου ζωής του.

## Ασφάλεια

Μην απορρίπτετε - δώστε στο χρήστη

**⚠ ΠΡΟΕΙΔΟΠΟΙΗΣΗ Διαβάστε όλες τις προειδοποιήσεις ασφαλείας, τις οδηγίες, τα γραφικά και τις προδιαγραφές που συνοδεύουν αυτό το ηλεκτρικό εργαλείο.**

Η μη τήρηση όλων των οδηγιών που αναφέρονται παρακάτω μπορεί να προκαλέσει ηλεκτροπληξία, πυρκαγιά ή/και σοβαρό τραυματισμό.

**Φυλάξτε όλες τις προειδοποιήσεις και τις οδηγίες για να ανατρέξετε μελλοντικά σε αυτές.**

**⚠ ΠΡΟΕΙΔΟΠΟΙΗΣΗ Όλοι οι τοπικά θεσμοθετημένοι κανόνες ασφαλείας σχετικά με την εγκατάσταση, τη λειτουργία και τη συντήρηση, πρέπει να τηρούνται συνεχώς.**

## Δήλωση Χρήσης

- Αποκλειστικά για επαγγελματική χρήση.
- Αυτό το προϊόν και τα εξαρτήματά του δεν πρέπει να τροποποιηθούν με κανένα τρόπο.
- Μην χρησιμοποιείτε αυτό το προϊόν εάν έχει υποστεί ζημιά.
- Εάν τα δεδομένα του προϊόντος ή οι προειδοποιητικές ενδείξεις κινδύνου στο προϊόν παύσουν να είναι ευανάγνωστες ή αποσυνδεδεμένες, αντικαταστήστε χωρίς καθυστέρηση.
- Το προϊόν πρέπει να εγκαθίσταται, να λειτουργεί και να συντηρείται μόνο από πρόσωπα με τα κατάλληλα προσόντα σε βιομηχανικό περιβάλλον συναρμολόγησης.

## Προβλεπόμενη χρήση

Αυτό το προϊόν προορίζεται για αποκλειστική χρήση από ενήλικες που έχουν διαβάσει και κατανοήσει τις οδηγίες και προειδοποιήσεις στο παρόν εγχειρίδιο, και οι οποίοι μπορούν να θεωρούνται υπεύθυνοι για τις πράξεις τους.

- Το παρόν προϊόν σχεδιάστηκε για την τοποθέτηση και την αφαίρεση συνδετήρων με σπειρώματα σε ξύλο, μέταλλο ή πλαστικό.
- Μη χρησιμοποιείτε το προϊόν για άλλο σκοπό πέραν του ενδεδειγμένου.
- Μόνο για εσωτερική χρήση.

- Δεν επιτρέπεται άλλη χρήση.

Χρησιμοποιήστε μόνο τις ακόλουθες συστοιχίες μπαταριών και φορτιστές.

RC20BA20: 8951000467

RC20BA40: 8951000468

RC20BA60: 8951000469

Οι συστοιχίες μπαταριών πρέπει να φορτίζονται μόνο με τους φορτιστές μπαταριών της Rodcraft.

RC20CHEU: 8951000470

RC20CHUK: 8951000471

Για πλήρεις οδηγίες, ανατρέξτε στις πληροφορίες ασφαλείας του φορτιστή συστοιχίας μπαταριών (Αρ. εκτύπωσης 8956002313).

## Γενικές προειδοποιήσεις ασφαλείας ηλεκτρικών εργαλείων

**⚠ ΠΡΟΕΙΔΟΠΟΙΗΣΗ Διαβάστε όλες τις προειδοποιήσεις ασφαλείας, τις οδηγίες, τα γραφικά και τις προδιαγραφές που παρέχονται με αυτό το προϊόν.**

Σε περίπτωση που δεν ακολουθήσετε όλες τις παρακάτω οδηγίες ενδέχεται να προκληθεί ηλεκτροπληξία, πυρκαγιά, καταστροφή ιδιοκτησίας ή/ και σοβαρός τραυματισμός.

**Φυλάξτε όλες τις προειδοποιήσεις και τις οδηγίες για να ανατρέξετε μελλοντικά σε αυτές.**

Ο όρος "ηλεκτρικό εργαλείο" στις προειδοποιήσεις αναφέρεται στο ηλεκτροδοτούμενο (με καλώδιο) ηλεκτρικό εργαλείο ή στο τροφοδοτούμενο από μπαταρία (χωρίς καλώδιο) ηλεκτρικό εργαλείο σας.

### Ασφάλεια χώρου εργασίας

- Διατηρείτε καθαρό και καλά φωτισμένο το χώρο εργασίας. Οι ακατάστατοι ή σκοτεινοί χώροι προκαλούν ατυχήματα.
- Μη θέτετε σε λειτουργία ηλεκτρικά εργαλεία σε εκρηκτικές ατμόσφαιρες, όπως παρουσία εύφλεκτων υγρών, αερίων ή σκόνης. Τα ηλεκτρικά εργαλεία δημιουργούν σπινθήρες, οι οποίοι είναι δυνατό να αναφλέξουν τη σκόνη ή τα αέρια.
- Τηρείτε σε απόσταση τα παιδιά και τους παρευρισκόμενους όταν χρησιμοποιείτε ένα ηλεκτρικό εργαλείο. Οι αποσπάσεις είναι δυνατό να σας κάνουν να χάσετε τον έλεγχο.

### Ηλεκτρική Ασφάλεια

- Αποφύγετε επαφή του σώματός σας με μειωμένες επιφάνειες, όπως είναι οι σωλήνες, τα καλοριφέρ, τα ηλεκτρικά μάτια ή τα ψυγεία. Υπάρξει αυξημένος κίνδυνος ηλεκτροπληξίας αν το σώμα σας είναι γειωμένο.
- Μην εκθέτετε τα ηλεκτρικά εργαλεία στη βροχή ή σε υγρές συνθήκες. Αν εισέλθει νερό εντός ενός ηλεκτρικού εργαλείου θα αυξηθεί ο κίνδυνος ηλεκτροπληξίας.



### Ασφάλεια των προσώπων

- Παραμείνατε σε επιφυλακή, παρακολουθείτε τι κάνετε και ακολουθήστε την κοινή λογική κατά τη χρήση μηχανοκίνητων εργαλείων. Μη χρησιμοποιείτε ένα ηλεκτρικό εργαλείο όταν είστε κουρασμένοι ή όταν βρίσκεστε υπό την επήρεια ναρκωτικών, αλκοόλ ή φαρμακευτικής αγωγής. Μία στιγμή απροσεξίας κατά τη χρήση μηχανοκίνητων εργαλείων είναι δυνατό να οδηγήσει σε σοβαρό προσωπικό ατύχημα.
- Χρησιμοποιείτε εξοπλισμό προσωπικής προστασίας. Φοράτε πάντοτε προστατευτικά ματιών. Ο προστατευτικός εξοπλισμός, όπως η μάσκα κατά της σκόνης, τα υποδήματα ασφαλείας κατά των ολισθήσεων, το κράνος ή προστατευτικά της ακοής, όταν χρησιμοποιείται υπό τις κατάλληλες συνθήκες, θα μειώσει τα προσωπικά ατυχήματα.
- Αποφύγετε την κατά λάθος εκκίνηση. Βεβαιωθείτε ότι ο διακόπτης είναι στη θέση OFF πριν να συνδέσετε το εργαλείο με την πηγή τροφοδοσίας ή/ και τις μπαταρίες, πριν από την παραλαβή ή τη μετακίνηση του εργαλείου. Η μεταφορά ηλεκτρικών εργαλείων έχοντας το δάχτυλό σας επάνω στο διακόπτη ή η σύνδεση ηλεκτρικών εργαλείων με το διακόπτη στη θέση ON επιφέρει ατυχήματα.
- Αφαιρέστε τυχόν κλειδί ή μοχλό ρύθμισης πριν να ενεργοποιήσετε το ηλεκτρικό εργαλείο. Ένα κλειδί, το οποίο αφήνεται συνδεδεμένο με ένα περιστρεφόμενο εξάρτημα του ηλεκτρικού εργαλείου είναι δυνατό να επιφέρει προσωπικό ατύχημα.
- Μην τεντώνετε για να φτάσετε. Να κρατιέστε πάντοτε σε καλή ευστάθεια και ισορροπία. Με αυτό τον τρόπο θα έχετε καλύτερο έλεγχο του ηλεκτρικού εργαλείου σε απρόσμενες καταστάσεις.
- Φοράτε κατάλληλα ρούχα. Μη φοράτε φαρδιά ρούχα ή κοσμήματα. Κρατάτε τα μαλλιά και τα ρούχα μακριά από τα κινούμενα εξαρτήματα. Τα φαρδιά ρούχα, τα κοσμήματα ή τα μακριά μαλλιά είναι δυνατό να πιαστούν στα κινούμενα εξαρτήματα.
- Αν προβλέπονται συσκευές για τη σύνδεση εγκαταστάσεων απομάκρυνσης και συγκέντρωσης της σκόνης, βεβαιωθείτε ότι είναι συνδεδεμένες και χρησιμοποιούνται σωστά. Η χρήση συγκέντρωσης της σκόνης μπορεί να μειώσει κινδύνους που σχετίζονται με τη σκόνη.
- Μην αφήσετε την εξοικείωση που αποκτάτε με τη συχνή χρήση των εργαλείων να σας κάνει πιο αμελείς και να αγνοείτε τις αρχές ασφαλείας του εργαλείου. Μια απρόσεκτη ενέργεια μπορεί να προκαλέσει σοβαρό τραυματισμό μέσα σε κλάσματα δευτερολέπτου.
- Κρατάτε το μηχανοκίνητο εργαλείο από τις μονωμένες επιφάνειες λαβής, κάθε που πραγματοποιείτε μία εργασία κατά την οποία ο σύνδεσμός μπορεί να έρθει σε επαφή με κρυμμένα καλώδια. Οι σύνδεσμοι που τυχόν έρθουν σε επαφή με ένα καλώδιο υπό τάση είναι δυνατό να θέσουν τα εκτεθειμένα μεταλλικά μέρη του μηχανοκίνητου εργαλείου υπό τάση και μπορεί να προκαλέσουν ηλεκτροπληξία στο χειριστή.

### Χρήση και φροντίδα ηλεκτρικού εργαλείου

- Μην πιέζετε το ηλεκτρικό εργαλείο. Χρησιμοποιήστε το σωστό ηλεκτρικό εργαλείο για την εφαρμογή σας. Το σωστό ηλεκτρικό εργαλείο θα κάνει τη δουλειά καλύτερα και ασφαλέστερα στην ταχύτητα για την οποία σχεδιάστηκε.
- Μη χρησιμοποιήσετε το ηλεκτρικό εργαλείο αν ο διακόπτης δεν ενεργοποιείται και απενεργοποιείται. Οποιοδήποτε ηλεκτρικό εργαλείο, το οποίο δεν μπορεί να ελεγχθεί με το διακόπτη είναι επικίνδυνο και πρέπει να επισκευαστεί.
- Αποσυνδέστε το βύσμα από την πηγή τροφοδοσίας ή/ και βγάλτε το συγκρότημα μπαταρίας από το ηλεκτρικό εργαλείο πριν να επιφέρετε τυχόν προσαρμογές, αλλαγή εξαρτημάτων ή πριν από την αποθήκευση των ηλεκτρικών εργαλείων. Τα εν λόγω προληπτικά μέτρα ασφαλείας μειώνουν τον κίνδυνο τυχαίας εκκίνησης του ηλεκτρικού εργαλείου.
- Αποθηκεύστε τα αδρανή ηλεκτρικά εργαλεία σε σημείο που να μην τα φτάνουν παιδιά και μην επιτρέπετε σε πρόσωπα μη εξοικειωμένα με το ηλεκτρικό εργαλείο ή με τις παρούσες οδηγίες να χρησιμοποιήσουν το ηλεκτρικό εργαλείο. Τα ηλεκτρικά εργαλεία είναι επικίνδυνα στα χέρια μη εκπαιδευμένων χρηστών.
- Συντηρείτε τα ηλεκτρικά εργαλεία και τα εξαρτήματα. Ελέγξτε για κακή ευθυγράμμιση ή πρόσδεση των κινούμενων εξαρτημάτων, για σπάσιμο εξαρτημάτων και για οποιαδήποτε άλλη κατάσταση που είναι δυνατό να επηρεάσει τη λειτουργία του ηλεκτρικού εργαλείου. Αν το ηλεκτρικό εργαλείο έχει υποστεί ζημία, φροντίστε να επισκευαστεί πριν το χρησιμοποιήσετε. Πολλά ατυχήματα προκαλούνται από την κακή συντήρηση των ηλεκτρικών εργαλείων.
- Τηρείτε τα εργαλεία κοπής αιχμηρά και καθαρά. Τα κατάλληλα συντηρούμενα εργαλεία κοπής με αιχμηρά άκρα κοπής δεν είναι πιθανό να κολλήσουν και ελέγχονται ευκολότερα.
- Χρησιμοποιείτε το ηλεκτρικό εργαλείο, τα εξαρτήματα και τα παρελκόμενα του κ.λπ. σύμφωνα με τις παρούσες οδηγίες, λαμβάνοντας υπόψη τις συνθήκες λειτουργίας και την προς υλοποίηση εργασία. Αν χρησιμοποιήσετε το ηλεκτρικό εργαλείο για εργασίες πέραν των προβλεπόμενων είναι δυνατό να επέλθει επικίνδυνη κατάσταση.
- Διατηρείτε τις χειρολαβές και τις επιφάνειες συγκράτησης στεγνές, καθαρές και απαλλαγμένες από λάδι και γράσο. Οι ολισθηρές χειρολαβές και οι επιφάνειες συγκράτησης δεν επιτρέπουν ασφαλή χειρισμό και έλεγχο του εργαλείου σε απροσδόκητες καταστάσεις.

### Χρήση και φροντίδα εργαλείου με μπαταρία

- Επαναφορτίζετε μόνο με το φορτιστή που καθορίζετε από τον κατασκευαστή. Ένας φορτιστής που είναι κατάλληλος για έναν τύπο μπαταρίας είναι δυνατό να επιφέρει κίνδυνο πυρκαγιάς αν χρησιμοποιηθεί με άλλη μπαταρία.

- Χρησιμοποιείτε ηλεκτρικά εργαλεία μόνο με συγκεκριμένες μπαταρίες. Η χρήση άλλων μπαταριών είναι δυνατό να επιφέρει κίνδυνο τραυματισμού και πυρκαγιάς.
- Όταν η μπαταρία δε χρησιμοποιείται, φυλάσσετε τη μακριά από άλλα μεταλλικά αντικείμενα, π.χ. συνδετήρες, κέρματα, κλειδιά, καρφιά, βίδες ή άλλα μικρά μεταλλικά αντικείμενα, τα οποία μπορούν να προκαλέσουν σύνδεση των πόλων της. Η σύνδεση των πόλων της μπαταρίας είναι δυνατό να επιφέρει εγκαύματα ή πυρκαγιά.
- Υπό συνθήκες κακής χρήσης, είναι δυνατό να εκτοξευθεί υγρό από την μπαταρία. Αποφύγετε την επαφή. Αν έρθετε τυχαία σε επαφή, ξεπλύνετε με νερό. Αν το υγρό έρθει σε επαφή με τα μάτια, ζητήστε επιπλέον ιατρική βοήθεια. Το υγρό που εκτοξεύεται από τη μπαταρία είναι δυνατό να προκαλέσει ερεθισμό ή εγκαύματα.
- Μη χρησιμοποιείτε μια συστοιχία μπαταριών ή ένα εργαλείο που έχει υποστεί ζημιά ή τροποποίηση. Οι μπαταρίες που έχουν υποστεί ζημιά ή τροποποίηση ενδέχεται να επιδείξουν απρόβλεπτη συμπεριφορά που να οδηγήσει σε φωτιά, έκρηξη ή κίνδυνο τραυματισμού.
- Μην εκθέτετε μια συστοιχία μπαταριών ή ένα εργαλείο στη φωτιά ή σε υπερβολική θερμοκρασία. Η έκθεση σε φωτιά ή θερμοκρασία άνω των 130 °C μπορεί να προκαλέσει έκρηξη.
- Ακολουθήστε όλες τις οδηγίες φόρτισης και μην φορτίζετε τη συστοιχία μπαταριών ή το εργαλείο εκτός της περιοχής θερμοκρασιών που προδιαγράφονται στις οδηγίες. Η ακατάλληλη φόρτιση ή σε θερμοκρασίες εκτός του προδιαγεγραμμένου εύρους είναι δυνατό να προκαλέσει ζημιά στη μπαταρία και να αυξήσει τον κίνδυνο φωτιάς.

### Σέρβις

- Αναθέστε το σέρβις του ηλεκτρικού εργαλείου σας σε τεχνικό επισκευών με τα κατάλληλα προσόντα, που χρησιμοποιεί μόνο πανομοιότυπα ανταλλακτικά. Αυτό θα εξασφαλίσει διατήρηση της ασφάλειας του ηλεκτρικού εργαλείου.
- Μην υποβάλετε ποτέ σε σέρβις τις συστοιχίες μπαταριών που έχουν υποστεί ζημιά. Το σέρβις συστοιχιών μπαταριών πρέπει να επιτελείται μόνο από τον κατασκευαστή ή από εξουσιοδοτημένους αντιπροσώπους σέρβις.

## Ειδικές οδηγίες προϊόντος

### Λειτουργία του εργαλείου

1. Τοποθετήστε το εργαλείο με μια κατάλληλη πρίζα.
2. Ρυθμίστε τη σωστή λειτουργία χρησιμοποιώντας το κουμπί ρύθμισης ταχύτητας (2).
3. Επιλέξτε τη σωστή κατεύθυνση χρησιμοποιώντας το κουμπί αντιστροφής (8).
4. Τοποθετήστε το εργαλείο σύμφωνα με τις οδηγίες ασφαλείας που περιγράφονται σε αυτό το έγγραφο.
5. Πιέστε και διατηρήστε την πίεση στη σκανδάλη του διακόπτη (7).

6. Κρατήστε τη σκανδάλη πατημένη (7) μέχρι το τέλος της λειτουργίας.

### ⚠ ΠΡΟΕΙΔΟΠΟΙΗΣΗ Κίνδυνος τραυματισμού

Καθώς η δύναμη αντίδρασης αυξάνεται ανάλογα με τη ροπή σύσφιξης, υπάρχει ο κίνδυνος σοβαρού τραυματισμού του χειριστή ως αποτέλεσμα της απροσδόκητης συμπεριφοράς του εργαλείου.

- ▶ Βεβαιωθείτε ότι το εργαλείο βρίσκεται σε άσφογη κατάσταση λειτουργίας και ότι το σύστημα έχει προγραμματιστεί σωστά.

### Μπαταρία

Μπαταρίες που δεν έχουν χρησιμοποιηθεί για κάποιο χρονικό διάστημα πρέπει να επαναφορτίζονται πριν από κάθε χρήση. Θερμοκρασίες άνω των 50°C (122°F) μειώνουν την απόδοση της συστοιχίας μπαταριών. Αποφύγετε την εκτεταμένη έκθεση σε θερμότητα ή ηλιοφάνεια (κίνδυνος υπερθέρμανσης).

Τα σημεία επαφής των φορτιστών και των μπαταριών πρέπει να διατηρούνται καθαρά.

Για βέλτιστη διάρκεια ζωής, οι συστοιχίες μπαταριών πρέπει να φορτίζονται πλήρως μετά τη χρήση. Για τη μεγαλύτερη δυνατή διάρκεια ζωής της μπαταρίας, αφαιρέστε το φορτιστή από την μπαταρία μόλις φορτιστεί πλήρως.

Η συστοιχία μπαταρίας διαθέτει προστασία υπερφόρτωσης, που την προστατεύει από την υπερφόρτωση και βοηθά να εξασφαλίσετε μεγαλύτερη διάρκεια ζωής. Σε υπερβολική ένταση τα ηλεκτρονικά στοιχεία της μπαταρίας απενεργοποιούν αυτόματα το προϊόν. Για επανεκκίνηση, απενεργοποιήστε και ενεργοποιήστε πάλι το προϊόν. Εάν το προϊόν δεν ξεκινά πάλι, η συστοιχία μπαταρίας μπορεί να έχει αποφορτιστεί πλήρως. Στην περίπτωση αυτή, πρέπει να επαναφορτίσετε με το φορτιστή μπαταριών.

### Οδηγίες συντήρησης

- Τηρείτε τους τοπικούς περιβαλλοντικούς κανονισμούς ανά χώρα για τον ασφαλή χειρισμό και τη διάθεση όλων των εξαρτημάτων.
- Εργασίες συντήρησης και επισκευών πρέπει να διεξάγονται αποκλειστικά από καταρτισμένο προσωπικό και πρέπει να χρησιμοποιούνται μόνο αυθεντικά ανταλλακτικά. Επικοινωνήστε με τον κατασκευαστή ή τον πλησιέστερο εξουσιοδοτημένο αντιπρόσωπό της περιοχής σας για οδηγίες σχετικά με την τεχνική συντήρηση ή αν χρειάζεστε ανταλλακτικά.
- Να βεβαιώνετε πάντοτε ότι η συσκευή είναι αποσυνδεδεμένη από την πηγή παροχής ενέργειας, για να αποφύγετε την ακούσια λειτουργία.
- Αποσυναρμολογείτε και επιθεωρείτε το εργαλείο ανά τρεις (3) μήνες, αν το εργαλείο χρησιμοποιείται καθημερινά. Αντικαταστήστε κατεστραμμένα ή φθαρμένα εξαρτήματα.
- Μην αφήνετε ποτέ υγρά φρένων, βενζίνη, προϊόντα πετρελαίου, διεισδυτικά λάδια κ.λπ. να έρθουν σε επαφή με πλαστικά εξαρτήματα. Τα χημικά μπορεί να βλάψουν, αποδυναμώσουν ή καταστρέψουν πλαστικά μέρη, το οποίο μπορεί να οδηγήσει σε σοβαρό τραυματισμό.

- Αποφύγετε τη χρήση διαλυτών όταν καθαρίζετε πλαστικά εξαρτήματα. Τα περισσότερα πλαστικά είναι επιρρεπή σε φθορές από διάφορους τύπους διαλυτών του εμπορίου, η χρήση των οποίων μπορεί να τα καταστρέψει. Να χρησιμοποιείτε καθαρά υφάσματα για την απομάκρυνση ακαθαρσιών, σκόνης, λαδιού, γράσου κ.λπ.

### Απόρριψη

- Η απόρριψη αυτού του εξοπλισμού πρέπει να γίνεται σύμφωνα με τη νομοθεσία της κάθε χώρας.
- Όλες οι συσκευές που έχουν υποστεί ζημιά, μεγάλης έκτασης φθορά ή που δεν λειτουργούν σωστά **ΠΡΕΠΕΙ ΝΑ ΤΙΘΕΝΤΑΙ ΕΚΤΟΣ ΛΕΙΤΟΥΡΓΙΑΣ**.
- Να επισκευάζεται μόνο από προσωπικό τεχνικής συντήρησης.

### Πρόσθετοι Κανόνες Ασφαλείας για κατασβίδια και κλειδιά

#### Κίνδυνοι εμπλοκής

- **Μην πλησιάζετε στον περιστρεφόμενο μηχανισμό κίνησης.** Είναι δυνατό να επέλθει πνιγμός, αφαίρεση τριχωτού της κεφαλής ή/ και σχισίματα αν χαλαρά ρούχα, γάντια, κοσμήματα, κολιέ και μαλλιά δε διατηρηθούν μακριά από το εργαλείο και τα εξαρτήματά του.
- **Μην φοράτε χαλαρά γάντια ή γάντια με κομμένα ή ξεφτισμένα δάχτυλα.** Τα γάντια μπορούν να εμπλακούν στον περιστρεφόμενο οδηγό, προκαλώντας αποκοπή ή σπάσιμο δακτύλων.
- **Οι περιστρεφόμενες κινούμενες υποδοχές ή προεξοχές είναι δυνατό να γραπώσουν εύκολα τα γάντια με ελαστική επένδυση ή μεταλλική ενίσχυση.**
- **Μην κρατάτε ποτέ τον οδηγό, την υποδοχή ή την προεξοχή του οδηγού.**

#### Κίνδυνοι χειρισμού

- **Οι χειριστές και το προσωπικό συντήρησης πρέπει να είναι φυσικά ικανό να χειρίζεται τον όγκο, βάρος και δύναμη του εργαλείου.**
- **Να κρατάτε το εργαλείο σωστά: να είστε έτοιμοι να αντισταθμίσετε τις φυσιολογικές ή τις ξαφνικές μετακινήσεις.** Να έχετε ελεύθερα και τα δύο σας χέρια.
- **Αμέσως μόλις προσαρμόσετε το συμπλέκτη, ελέγξτε ως προς τη σωστή λειτουργία.**
- **Να μη χρησιμοποιείτε σε φθαρμένη κατάσταση.** Ενδέχεται να μη λειτουργεί ο συμπλέκτης, προκαλώντας απότομη περιστροφή της λαβής του εργαλείου.
- **Να υποστηρίζετε πάντοτε με ασφάλεια τη χειρολαβή του εργαλείου, με κατεύθυνση αντίθετα προς την κατεύθυνση περιστροφής του άξονα, προκειμένου να ελαττώνεται η επίδραση μιας απότομης αντίδρασης ροπής κατά τη διάρκεια της τελικής σύσφιξης και της αρχικής χαλάρωσης.**
- **Αν είναι δυνατό, χρησιμοποιήστε ένα βραχίονα ανάρτησης για να απορροφήσει την αντίδραση στρέψης. Αν αυτό δεν είναι δυνατό, οι πλαϊνές λαβές συνιστώνται για τα εργαλεία με ευθύ περίβλημα και**

**με λαβή πιστολιού· οι ράβδοι αντίδρασης συνιστώνται για τους γωνιακούς συστροφείς παξιμαδιών.** Σε κάθε περίπτωση, συνιστάται να χρησιμοποιήσετε ένα μέσο για την απορρόφηση της ροπής στρέψης αντίδρασης που υπερβαίνει τα 4 Nm (3 lbf.ft) για τα εργαλεία με ευθύ περίβλημα, που υπερβαίνει τα 10 Nm (7,5 lbf.ft) για τα εργαλεία με λαβή πιστολιού και που υπερβαίνει τα 60 Nm (44 lbf.ft) για τους γωνιακούς συστροφείς παξιμαδιών.

#### Κίνδυνοι από θραύσματα

- **Φοράτε πάντα γυαλιά και μάσκα προσώπου ανθεκτικά σε κρούσεις όταν συμμετέχετε στη λειτουργία ή είστε κοντά σε λειτουργίες επισκευών ή συντήρησης του εργαλείου, ή όταν αντικαθιστάτε παρελκόμενα στο εργαλείο. Συνιστώνται γάντια και προστατευτικός ρουχισμός.**
- **Βεβαιωθείτε ότι όλα τα υπόλοιπα άτομα στο χώρο φορούν ανθεκτικό στην κρούση προστατευτικό εξοπλισμό για τα μάτια και το πρόσωπο.** Ακόμη και μικρά θραύσματα μπορούν να τραυματίσουν τα μάτια και να προκαλέσουν τύφλωση.
- **Τα συστήματα που απαιτούν σύσφιξη σε συγκεκριμένη τιμή ροπής στρέψης, πρέπει να ελέγχονται με τη βοήθεια δυναμομετρικού κλειδιού.** Τα δυναμομετρικά κλειδιά τύπου «κλικ» δεν ελέγχουν για ενδεχομένως επικίνδυνες καταστάσεις υπερβολικής σύσφιξης. Μπορεί να συμβεί σοβαρός τραυματισμός από υπερβολικά σφιγμένους ή ελάχιστα σφιγμένους συνδετήρες, οι οποίοι μπορούν να ραγίσουν, να χαλαρώσουν ή να χωριστούν στη μέση. Τυχόν απελευθερωμένα συγκροτήματα μπορεί να εκτοξευτούν.
- **Μη χρησιμοποιείτε υποδοχές που τοποθετούνται με το χέρι.** Χρησιμοποιείτε μόνο υποδοχές σε καλή κατάσταση που τοποθετούνται ηλεκτρικά ή με πρόσκρουση.
- **Το εργαλείο αυτό και τα εξαρτήματά του δεν πρέπει να τροποποιηθούν κατά κανένα τρόπο.**

#### Κίνδυνοι από επαναλαμβανόμενη κίνηση

- **Όταν χρησιμοποιείτε ένα εργαλείο για την εκτέλεση δραστηριοτήτων που σχετίζονται με την εργασία, ο χειριστής είναι δυνατό να νιώσει δυσκολία στα χέρια, τους βραχίονες, τους ώμους, τον αυχένα ή σε άλλες περιοχές του σώματος.**
- **Λάβετε άνετη στάση σώματος, πατώντας καλά στο έδαφος και αποφεύγοντας τις αδέξιες κινήσεις ή την απώλεια της ισορροπίας.** Η εναλλαγή στάσεων κατά τις εργασίες με μεγάλη διάρκεια μπορεί να σας βοηθήσει να αποφύγετε την αίσθηση δυσκολίας και κόπωσης.
- **Μην αγνοήσετε συμπτώματα, όπως την επίμονη ή επαναλαμβανόμενη δυσκολία, τρεμούλα, πιάσιμο, μυρμηκίαση, μούδιασμα, κάψιμο ή πιάσιμο.** Σταματήστε τη χρήση του εργαλείου, ενημερώστε τον εργοδότη σας και ζητήστε ιατρική συμβουλή.

#### Κίνδυνοι στο χώρο εργασίας

- **Ολισθήσεις (γλιστρήματα) / σκοντουφλήματα / πτώσεις, αποτελούν κύριες αιτίες σοβαρού τραυματισμού ή θανάτου.** Οι ακατάστατοι χώροι και πάγκοι προκαλούν τραυματισμούς.

- **Να μη χρησιμοποιείτε σε κλειστούς χώρους.**  
Προσέχετε για να αποφύγετε τη σύνθλιψη των χεριών σας ανάμεσα στο εργαλείο και το υπό επεξεργασία αντικείμενο, ιδιαίτερα όταν ξεβιδώνετε.
- **Υψηλές στάθμες θορύβων μπορεί να προκαλέσουν μόνιμη απώλεια ακοής.** Χρησιμοποιείτε προστατευτικά για τα αυτιά όπως συνιστάται από τον εργοδότη σας ή τους κανονισμούς υγείας και ασφαλείας του χώρου εργασίας.
- **Φροντίστε το αντικείμενο εργασίας να στερεώνεται με ασφάλεια.**
- **Οι επαναλαμβανόμενες κινήσεις κατά την εργασία, οι ασυνήθιστες θέσεις και η έκθεση σε δονήσεις μπορεί να είναι βλαβερή στα χέρια και τους βραχίονες.** Εάν παρουσιαστεί μούδιασμα, μυρμηκίαση ή άσπρισμα του χρώματος του δέρματος, σταματήστε τη χρήση του εργαλείου και συμβουλευτείτε έναν ιατρό.
- **Συνεχίστε με προσοχή σε περιβάλλοντα με τα οποία δεν είστε εξοικειωμένος/η.** Να έχετε επίγνωση των ενδεχόμενων κινδύνων που δημιουργούνται από την εργασιακή σας δραστηριότητα. Αυτό το εργαλείο δεν είναι μονωμένο για περιπτώσεις επαφής με πηγές ηλεκτρικής ενέργειας.

**Πινακίδες και Αυτοκόλλητα**

Το προϊόν διαθέτει σήματα και αυτοκόλλητα που περιέχουν σημαντικές πληροφορίες για την ατομική ασφάλεια και τη συντήρηση του προϊόντος. Τα σήματα και τα αυτοκόλλητα πρέπει να είναι πάντοτε ευανάγνωστα. Μπορείτε να παραγγείλετε καινούργια σήματα και αυτοκόλλητα από τον κατάλογο ανταλλακτικών.



8011050

**Σύμβολα**



Αφαιρέστε την μπαταρία πριν ξεκινήσετε οποιαδήποτε εργασία στο μηχάνημα.



Διαβάστε προσεκτικά τις οδηγίες πριν θέσετε το μηχάνημα σε λειτουργία.



Μην απορρίπτετε ηλεκτρικά εργαλεία μαζί με οικιακά απόβλητα. Τα ηλεκτρικά εργαλεία και ο ηλεκτρονικός εξοπλισμός που έχουν φθάσει στο τέλος του κύκλου ζωής τους, πρέπει να συλλέγονται ξεχωριστά και να επιστρέφονται σε μονάδες ανακύκλωσης συμβατές με το περιβάλλον. Απευθυνθείτε στις τοπικές αρχές ή σε τοπικά καταστήματα για συμβουλές σχετικά με την ανακύκλωση και τα σημεία συλλογής.



Να φοράτε πάντα προστατευτικά γυαλιά όταν χρησιμοποιείτε το μηχάνημα.

$n_0$  Χωρίς ταχύτητα φορτίου.

V Βολτ

ελάχ.<sup>-1</sup> ανά λεπτό

≡≡≡ Συνεχές ρεύμα



ΠΡΟΣΟΧΗ! ΠΡΟΕΙΔΟΠΟΙΗΣΗ!  
ΚΙΝΔΥΝΟΣ!

**Χρήσιμες πληροφορίες**

**Χώρα προέλευσης**

People's Republic of China

**Διαδικτυακός τόπος**

Πληροφορίες σχετικά με τα Προϊόντα, τα Εξαρτήματά, τα Ανταλλακτικά και τα Δημοσιευμένα θέματα μας βρίσκονται στον ιστότοπο Rodcraft .

Παρακαλούμε επισκεφθείτε: [www.rodcraft.com](http://www.rodcraft.com).

**Δελτίο δεδομένων ασφαλείας**

Τα δελτία δεδομένων ασφαλείας περιγράφουν τα χημικά προϊόντα που πωλούνται από την Rodcraft.

Ανατρέξτε στον Rodcraft ιστότοπο για περισσότερες πληροφορίες [qr.cp.com/sds](http://qr.cp.com/sds).

**Πνευματικά δικαιώματα**

© Copyright 2023, Desoutter GmbH, Edmund-Seng-Str. 3-5, 63477 Maintal, Germany

Με την επιφύλαξη παντός δικαιώματος. Απαγορεύεται κάθε μη εξουσιοδοτημένη χρήση ή αντιγραφή των περιεχομένων ή μέρους τους. Αυτό ισχύει ιδίως για τα εμπορικά σήματα, τις επωνυμίες μοντέλων, τους αριθμούς ανταλλακτικών και τα σχεδιαγράμματα. Χρησιμοποιείτε μόνο εγκεκριμένα ανταλλακτικά. Οποιαδήποτε ζημιά ή δυσλειτουργία λόγω μη εγκεκριμένων ανταλλακτικών δεν καλύπτεται από την Εγγύηση ή την Ευθύνη Προϊόντος.

**Tekniska data**

**Produktbeskrivning**

Se *Schema 2*.

- |    |  |
|----|--|
| 1  | Mjukt handtag                            |
| 2  | Knapp för varvtalsjustering              |
| 3  | Batteri                                  |
| 4  | Knapp på batteri                         |
| 5  | Arbetslampa                              |
| 6  | Lampa för varvtalsjusteringens indikator |
| 7  | Omkopplare                               |
| 8  | Back-knapp                               |
| 9  | Fyrkantdrivning                          |
| 10 | Aluminumhölje                            |

## Deklarationer

### EU-försäkran om överensstämmelse

Vi, **Desoutter GmbH**, Edmund-Seng-Str. 3-5, 63477 Maintal, Germany, försäkrar under eget ansvar att produkten (med namn, typ och serienummer, se framsida) uppfyller följande direktiv:



2006/42/EC; 2011/65/EU; 2014/30/EU

Tillämpade harmoniserade standarder:

EN 62841-1:2015/A11:2022; EN 62841-2-2:2014; EN IEC 55014-1:2021; EN IEC 55014-2:2021; EN 62233:2008

Myndigheter kan begära relevant teknisk information från:

Pascal Roussy, R&D Manager, Ets Georges Renault, 38 rue Bobby Sands, BP10273 44818 Saint Herblain, France

Saint-Herblain, 2023/08/28

Pascal ROUSSY

Underskrift

### Meddelande om buller och vibrationer

Beskrivning	RC9067	RC9077	RC9087
Ljudtryck (K=3) (dB(A))	92,3	88,4	88,4
Ljudeffekt (K=3) (dB(A))	100,3	96,4	96,4
Vibration (K=1,5) (m/s <sup>2</sup> )	5,45	8,15	8,15

Ljudtryck, ljudeffekt och vibrationsvärden följer SS-EN 62841-2-2:2014 + AC:2015.

Dessa deklarerade värden har erhållits genom laboratorietester i enlighet med angivna direktiv eller standarder och är lämpliga att jämföra med deklarerade värden för andra maskiner som har genomgått provning i enlighet med samma direktiv eller standarder. Den angivna nivån av vibrationsutsläpp kan användas till en preliminär bedömning av exponering. Värdena kan inte användas för riskbedömning och värden som uppmäts på enskilda arbetsplatser kan vara högre. De faktiska exponeringsvärdena och de skaderisker en enskild användare utsätts för är unika och beror på personens arbetssätt, arbetsstycket, arbetsstationens utformning samt användarens exponeringstid och fysiska kondition.

Vi, **Desoutter GmbH**, kan inte hållas ansvarsskyldiga för konsekvenserna av att använda de angivna värdena istället för värden som återspeglar den faktiska exponeringen vid en individuell riskbedömning på en arbetsplats där vi inte har någon kontroll.

Detta verktyg kan orsaka syndromet hand-armvibrationer om det inte används korrekt. En EU-guide för hantering av hand- och armvibrationer återfinns på webbplatsen <http://www.pneurop.eu/index.php> varefter du väljer Verktyg och sedan Lagstiftning.

För att förebygga eventuella framtida åkommor rekommenderar vi att hälsokontroller genomförs för att upptäcka tidiga symptom som kan bero på vibrationsrelaterade arbetssuppgifter, samt att rutiner införs för att begränsa dessa.

- ⓘ Om denna utrustning är avsedd för fixturmonterade system:  
Ljudemissionerna anges som vägledning för maskinbyggaren. Ljud- och vibrationsemissionsdata för hela maskinen skall anges i instruktionshandboken till maskinen.

### Regionala krav

#### ⚠ VARNING

Denna produkt kan utsätta dig för kemikalier inklusive bly, som är känd för staten Kalifornien för att orsaka cancer och fosterskador och annan reproduktiv skada. För mer information gå in på

<https://www.p65warnings.ca.gov/>

### Information om Artikel 33 i REACH

EU-förordning (EG) nr. 1907/2006 om registrering, utvärdering, godkännande och begränsning av kemikalier (Reach) anger bland annat krav rörande kommunikation i leveranskedjan. Informationskraven gäller även för produkter som innehåller så kallade Särskilt farliga ämnen ("Kandidatförteckningen"). Den 27 juni 2018 blev blymetall (CAS-nr. 7439-92-1) tillagt i Kandidatförteckningen.

I enlighet med informationen ovan har detta meddelande som syfte att informera dig om att vissa elektriska komponenter i produkten kan innehålla blymetall. Detta är i enlighet med rådande begränsningslagstiftning för specifika ämnen och baseras på undantag i RoHS-förordningen (2011/65/EU). Blymetall kommer inte att läcka eller förändras från eller i produkten vid normal användning och koncentrationen blymetall i den färdiga produkten ligger långt under gällande gränsvärden. Kom ihåg att kontrollera lokala krav för bly när produkten ska avfallshanteras.

## Säkerhet

KASSERA EJ – GE TILL ANVÄNDAREN

- ⚠ **VARNING Läs alla säkerhetsföreskrifter, instruktioner, illustrationer och specifikationer som hör till elverkytet.**

Underlåtenhet att följa alla angivna instruktioner kan leda till elektrisk stöt, eldsvåda och/eller svåra personskador.

**Spara alla varningar och instruktioner för framtida bruk.**

- ⚠ **VARNING Alla lokala säkerhetsföreskrifter avseende installation, drift och underhåll skall alltid åtföljas.**

### Användningsintyg

- Endast för yrkesmässigt bruk.
- Denna produkt och medföljande tillbehör får inte modifieras på något sätt.
- Använd inte denna produkt om den har skadats.
- Om produktuppgifterna eller varningsskyltarna på produkten inte är läsbara eller lossnar ska de bytas omedelbart.
- Produkten får endast installeras, användas och servas av behöriga personer i en miljö för industriellt bruk.

## Avsedd användning

Den här produkten är avsedd att endast användas av vuxna som har läst och förstått instruktionerna och varningarna i den här handboken och kan anses ansvariga för sina handlingar.

- Produkten är utformad för att sätta i och avlägsna gängade fästelement i trä, metall eller plast.
- Använd inte produkten för något annat ändamål än vad som beskrivs ovan.
- Endast inomhusbruk.
- Ingen annan användning är tillåten.

Använd endast följande batterier och laddare.

RC20BA20: 8951000467

RC20BA40: 8951000468

RC20BA60: 8951000469

Batterierna får endast laddas med Rodcraft-laddare.

RC20CHEU: 8951000470

RC20CHUK: 8951000471

Fullständiga anvisningar finns i säkerhetsinformationen som medföljer batteriladdaren (trycksak nr 8956002313).

## Allmänna säkerhetsvarningar för elverktyg

**⚠ VARNING** Läs alla säkerhetsföreskrifter, instruktioner, illustrationer och specifikationer som medföljer produkten.

Om alla anvisningar nedan inte efterföljs finns risk för elchock, brand, svåra personskador och/eller skador på egendom.

**Spara alla varningar och instruktioner för framtida bruk.**

Termen "elverktyg" i varningarna syftar på ditt strömdrivna (med sladd) elverktyg eller batteridrivna (sladdlöst) elverktyg.

### Säkerhet på arbetsplatsen

- **Håll arbetsområdet rent och väl upplyst.** Röriga eller mörka områden inbjuder till olyckor.
- **Använd inte eldrivna verktyg i explosiva atmosfärer, såsom i närvaro av brännbara vätskor, gaser eller damm.** Eldrivna verktyg alstrar gnistor som kan antända dammet eller ångorna.
- **Håll barn och passiva åskådare borta medan du använder ett eldrivet verktyg.** Störande moment kan få dig att förlora kontrollen.

### Elsäkerhet

- **Undvik kroppskontakt med jordade ytor, såsom rör, element, pannor och kylskåp.** Risken för elchock ökar om kroppen är jordad.
- **Utsätt inte elverktyg för regn eller våta förhållanden.** Vatten som kommer in i ett elverktyg ökar risken för elchock.

### Personlig säkerhet

- **Var uppmärksam, tänk på vad du gör och använd sunt förnuft när du använder ett eldrivet verktyg.** Använd inte ett elverktyg när du är trött eller under

påverkan av droger, alkohol eller mediciner. Ett ögonblicks ouppmärksamhet vid användning av elverktyg kan resultera i allvarliga personskador.

- **Använd personlig skyddsutrustning. Bär alltid ögonskydd.** Skyddsutrustning som stofmask, halksäkra skyddsskor, hjälm eller hörselskydd kan i vissa fall reducera personskadorna.
- **Förhindra oavsiktlig start. Säkerställ att omkopplaren är i off-läget innan du ansluter till strömkällan och/eller batteripaket eller lyfter upp eller bär verktyget.** Om du bär elverktyget med fingret på strömbrytaren eller strömsätter elverktyg som har strömbrytaren påslagen ökar olycksrisken.
- **Ta bort eventuell justernyckel eller hylsa innan du slår på elverktyget.** En hylsa eller en nyckel som sitter kvar på en roterande del av elverktyget kan orsaka personskador.
- **Sträck dig inte för långt. Ha lämplig fotställning och god balans hela tiden.** Då har du bättre kontroll över elverktyget i oväntade situationer.
- **Ha lämpliga kläder. Bär inte smycken eller lös klädsel. Håll hår och kläder borta från rörliga delar.** Lösa kläder, smycken eller långt hår kan fastna i rörliga delar.
- **Om apparaten är anpassad för att ansluta utrustning för utsug och uppsamling av damm, se till att dessa är anslutna och används korrekt.** Användning av dammuppsugning kan minska dammrelaterade risker.
- **Låt inte förtrogenhet som vunnits från frekvent användning av verktyg, göra dig självbelåten och få dig att ignorera säkerhetsprinciper för verktyg.** En vårdslös åtgärd kan orsaka allvarliga skador på en bråkdel av en sekund.
- **Håll i de isolerade greppytorna på motordrivna verktyg vid arbete där fästelementen kan komma i kontakt med dolda kablar.** Fästelement som kommer i kontakt med en strömförande kabel kan göra att utsatta metalldelar blir strömförande, vilket kan ge användaren en elchock.

### Användning och skötsel av elverktyget

- **Bruka inte våld på elverktyget. Använd rätt elverktyg för tillämpningen.** Rätt elverktyg gör jobbet bättre och säkrare vid det varvtal för vilket verktyget har konstruerats.
- **Använd inte elverktyget om det inte startar och stoppar med strömbrytaren.** Elverktyg som inte kan styras med omkopplaren är farliga och måste repareras.
- **Koppla loss stickkontakten från strömkällan och/eller batteripaket från elverktyget om den är avtagningsbar innan du gör justeringar, byter tillbehör eller förvarar elverktyg.** Sådana förebyggande säkerhetsåtgärder minskar risken för att elverktyget startar oavsiktligt.
- **Lagra elverktyget utom räckhåll för barn och låt inte personer som är obekanta med elverktyget eller dessa instruktioner använda elverktyget.** Elverktyg är farliga i händerna på utbildade användare.
- **Underhåll elverktyg och tillbehör. Kontrollera om det finns rörliga delar som är fel inriktade eller kärvar, eller om några delar är trasiga eller något annat**

förhållande som kan påverka elverktygets funktion. Om elverktyget är skadat, låt reparera det före användning. Många olyckor orsakas av dåligt underhållna elverktyg.

- **Håll kapverktyg vassa och rena.** Ordentligt underhållna kapverktyg med vassa skärkanter är mindre benägna att fastna och enklare att kontrollera.
- **Använd elverktyget, tillbehören och verktygsbitsen etc. i enlighet med dessa instruktioner och ta hänsyn till arbetsförhållandena och arbetet som ska utföras.** Användning av elverktyg för andra arbetsmoment än de som avses kan resultera i farliga situationer.
- **Håll handtag och gripytor torra, rena och fria från olja och fett.** Hala handtag och gripytor tillåter inte säker hantering och kontroll av verktyget i oväntade situationer.

#### Användning och skötsel av batteriverktyg

- **Ladda endast med laddaren som tillverkaren har specificerat.** En laddare som passar för en typ av batteri kan medföra risk för brand när den används för andra batterityper.
- **Använd endast elverktyg med de batterier som är avsedda för ändamålet.** Om andra batterier används kan det medföra risk för personskador och brand.
- **När ett batteri inte används ska det förvaras på avstånd från andra metallföremål som gem, mynt, nycklar, spikar, skruvar etc. Dessa föremål orsaka kortslutning från den ena polen till den andra.** En kortslutning av batteriets kontakter kan orsaka brännskador eller brand.
- **Under ogynnsamma villkor kan vätska tränga ut från batteriet – undvik kontakt. Vid oavsiktlig kontakt, spola med vatten. Om du får vätska i ögonen, uppsök dessutom läkare.** Vätska från batteriet kan orsaka irritation eller brännskador.
- **Använd inte ett batteri eller verktyg som är skadat eller modifierat.** Skadade eller modifierade batterier kan fungera oförutsägbart vilket kan orsaka brand, explosion eller personskador.
- **Utsätt inte ett batteri eller verktyg för brand eller överhettning.** Exponering för brand eller temperatur över 130 °C kan leda till explosion.
- **Följ alla laddningsanvisningar och ladda inte batteriet eller verktyget utanför temperaturområdet som anges i anvisningarna.** Felaktig laddning eller laddning vid temperaturer utanför det angivna intervallet kan skada batteriet och öka risken för brand.

#### Service

- **Service på motordrivna verktyg måste utföras av en behörig reparatör som endast använder identiska reservdelar.** På så vis kommer elverktyget alltid att hålla högsta möjliga säkerhet.
- **Serva aldrig skadade batterier.** Service av batterier bör endast utföras av tillverkaren eller dennes auktoriserade tjänsteleverantörer.

## Produktspecifika anvisningar

### Använda verktyget

1. Montera verktyget med en lämplig hylsa.
2. Ange rätt läge med varvtalsjusteringsknappen (2).
3. Välj rätt riktning med backningsknappen (8).
4. Placera verktyget enligt säkerhetanvisningarna i det här dokumentet.
5. Tryck och håll press på tryckreglaget (7).
6. Håll tryckreglaget intryckt (7) tills att arbetsmomentet har slutförts.

### VARNING Risk för skador

Allteftersom reaktionskraften ökar i proportion till åtdragningsmomentet, finns det risk för allvarliga skador för operatören som ett resultat av oväntat uppträdande av verktyget.

- ▶ Se till att verktyget är i perfekt driftskick och systemet är korrekt programmerat.

### Batteri

Batterier som inte har använts under en tid bör laddas bör laddas upp före användning.

Temperaturer över 50 °C (122 °F) sänker batteriets prestanda. Undvik utökad exponering för värme eller solsken (risk för överhettning).

Kontakterna på batteri och laddare måste hållas rena.

För optimal livstid måste batterierna laddas helt efter användning. För att få den längsta möjliga livslängd på batteriet, ta ut batteriet från laddaren när den är fulladdat.

Batteriet har överbelastningsskydd som skyddar det från att bli överbelastat och hjälper till att säkerställa lång livslängd. Under extrem stress stänger batterielektroniken automatiskt av produkten. För att starta om, stäng av produkten och slå sedan på den igen. Om produkten inte startar igen kan batteriet ha tömts fullständigt. I det fallet måste det laddas i laddaren.

### Underhållsanvisningar

- **Följ lokala miljöregler i användningslandet för säker hantering och omhändertagande av alla komponenter.**
- Underhåll och reparationer måste utföras av behörig personal som endast använder originalreservdelar. Kontakta tillverkaren eller närmaste auktoriserade återförsäljare för råd om teknisk service eller om du behöver reservdelar.
- Se alltid till att maskinen är urkopplad från energikällan för att undvika misstag.
- Demontera och inspektera verktyget var 3:e månad om verktyget används varje dag. Byt ut skadade eller slitna delar.
- Låt aldrig bromsvätskor, bensin, petroleumbaserade produkter, penetrerande oljor etc. komma i kontakt med plastdelar. Kemikalier kan skada, försvaga eller förstöra plast som kan leda till allvarliga personskador.

- Undvik att använda lösningsmedel vid rengöring av plastdelar. De flesta plastmaterial är mottagliga för skador från olika typer av kommersiella lösningsmedel och kan skadas av användningen. Använd rena trasor för att avlägsna smuts, damm, olja, fett etc.

### Bortskaffning

- Bortskaffande av denna utrustning måste följa lagstiftningen i respektive land.
- Alla skadade, dåligt slitna eller felaktigt fungerande enheter **MÅSTE TAS UR DRIFT**.
- Reparera endast med teknisk underhållspersonal.

### Ytterligare säkerhetsregler för skruvdragare och nycklar

#### Risker förknippade med att fastna i rörliga delar

- **Håll dig undan från en roterande drivning.** Kvävning, skalpering och/eller skärsår kan uppstå om löshängande kläder, handskar, smycken, halsband och hår inte hålls borta från verktyg och tillbehör.
- **Bär inte löst sittande handskar eller handskar med fransiga eller trasiga fingrar.** Handskar kan fastna i den roterande drivningen och orsaka avkapade eller brutna fingrar.
- **Roterande drivhylsor och drivförlängningar kan lätt fastna i gummi- eller metallförstärkta handskar.**
- **Håll aldrig i drivningen, hylsan eller drivningens förlängning.**

#### Risker vid användning

- **Operatörer och underhållspersonal måste fysiskt kunna hantera verktygets massa, vikt och styrka.**
- **Håll verktyget på rätt sätt: var redo att stå emot normala eller plötsliga rörelser.** Ha båda händerna tillgängliga.
- **Kontrollera att maskinen fungerar ordentligt när kopplingen justerats.**
- **Använd inte i slutet tillstånd.** Det kan hända att kopplingen inte fungerar vilket resulterar i plötslig rotation av handtaget.
- **Stöd alltid verktygshandtaget på säkert sätt, i motsatt riktning till axelrotationen, för att minska effekten av en plötslig vridmomentsreaktion under slutlig åtdragning eller påbörjad lösgöring.**
- **Använd om möjligt en upphängningsarm för att ta upp vridmomentsreaktionen.** Om det inte är möjligt, rekommenderas sidohandtag på verktyg med raka maskinhus och med pistolhandtag; mothåll rekommenderas för vinklade mutterdragare. Under alla förhållanden rekommenderas att använda något som tar upp vridmomentsreaktionen över 4 Nm (3 lbf.ft) för verktyg med raka maskinhus, över 10 Nm (7.5 lbf.ft) för verktyg med pistolhandtag och över 60 Nm (44 lbf.ft) för vinklade mutterdragare.

#### Kringflygande föremål

- **Använd alltid slagtåliga ögon- och ansiktsskydd om du arbetar med eller uppehåller dig i närheten av verktyg som används, repareras eller underhålls eller verktygstillbehör som byts ut. Handskar och skyddskläder rekommenderas.**
- **Se till att alla andra som uppehåller sig i närheten använder slagtåliga ögon- och ansiktsskydd.** Även små föremål som kastas iväg kan skada ögonen och orsaka blindhet.
- **Montering som kräver ett visst vridmoment måste kontrolleras med en vridmomentmätare.** Så kallade "klick"-momentnycklar kontrollerar inte potentiellt farlig överåtdragning. Allvarliga personskador kan uppstå från över- eller underåtdragna fästen, som kan gå sönder, frigöras och lossna. Lösgjorda förband kan bli projektiler.
- **Använd inte handverktygshylsor.** Använd endast hylsor för motor- och slagdrift i gott skick.
- **Detta verktyg och medföljande tillbehör får inte modifieras på något sätt.**

#### Faror vid repetitiva rörelser

- **Vid användning av motordrivna verktyg för att utföra arbetsrelaterade aktiviteter, kan operatören uppleva obehag i händer, armar, axlar, nacke eller andra kroppsdelar.**
- **Inta en bekväm ställning med fötterna stadigt på underlaget och undvik ställningar som är obekväma eller där du kan tappa balansen.** Att ändra ställning under längre arbetspass kan hjälpa till att undvika obehag och utmattnings.
- **Ignorera inte symptom som ihållande eller återkommande obehag, smärta, dunkningar, värk, stickningar, domningar, brännande känsla eller stelhet.** Lägg ifrån dig verktyget, prata med din arbetsgivare och besök läkare.

#### Arbetsplatsrisker

- **Om en person halkar/snubblar/faller kan allvarliga personskador eller dödsfall inträffa.** Stökiga utrymmen och arbetsbänkar ökar skaderisken.
- **Använd inte verktyget i ett trångt utrymme.** Se till att händerna inte kommer i kläm mellan verktyget och arbetsstycket, särskilt vid losskruvning.
- **Höga ljud kan orsaka permanenta hörselskador.** Använd hörselskydd som rekommenderas av din arbetsgivare eller via arbetsskydds- och hälsoregler.
- **Säkerställ att arbetsstycket är säkert fastspänt.**
- **Monotona arbetsrörelser, obekväma ställningar och exponering för vibration kan vara skadligt för händer och armar.** Om någon del av kroppen domnar, somnar, smärtar eller vitnar ska verktyget sluta användas och läkares råd sökas.
- **Arbeta försiktigt i områden som du inte känner till.** Var medveten om de potentiella risker som skapas av dina arbetsaktiviteter. Detta verktyg är inte isolerat från att komma i kontakt med elektriska strömkällor.



## Skyltar och dekaler

Produkten är försedd med skyltar och dekaler med viktig information om personlig säkerhet och produktunderhåll. Skyltarna och dekaler måste alltid vara lätta att läsa. Nya skyltar och dekaler kan beställas med hjälp av reservdelslistan.



s011050

## Skyltar



Ta bort batteriet innan du börjar arbeta på maskinen.



Läs noggrant igenom bruksanvisningen innan du startar maskinen.



Kassera inte elektriska verktyg tillsammans med hushållsavfall. Elektriska verktyg och elektronisk utrustning som har nått slutet av deras livslängd måste kasseras separat och återlämnas till en miljövänlig återvinningsanläggning. Kontakta din lokala myndighet eller återförsäljare för råd om återvinning och insamlingspunkt.



Använd alltid skyddsglasögon när du använder maskinen.

$n_0$  Obelastat varvtal.

V Volt

$\text{min}^{-1}$  per minut



Likström



SE UPP! WARNING! FARA!

## Användbar information

### Ursprungsland

People's Republic of China

### Webbplats

Information om våra produkter, tillbehör, reservdelar och publicerade ärenden hittar du på webbplatsen för Rodcraft

Besök: [www.rodcraft.com](http://www.rodcraft.com).

### Säkerhetsdatablad

Säkerhetsdatabladet beskriver de kemiska produkter som säljs av Rodcraft.

Besök webbplatsen för Rodcraft om du vill veta mer [qr.cp.com/sds](http://qr.cp.com/sds).

### Copyright

© Copyright 2023, Desoutter GmbH, Edmund-Seng-Str. 3-5, 63477 Maintal, Germany

Med ensamrätt. All obehörig användning eller kopiering av innehållet eller del därav är förbjuden. Detta gäller särskilt varumärken, modellbeteckningar, artikelnummer och rit-

ningar. Använd bara godkända delar. Skador eller fel som orsakas genom användning av icke godkända delar täcks inte av garanti eller företagets produktansvar.

## Технические данные

### Описание изделия

См. *Schema 2*.

1	Мягкая рукоятка
2	Кнопка регулировки скорости
3	Аккумуляторный блок
4	Кнопка аккумуляторного блока
5	Рабочая подсветка
6	Световой индикатор регулировки скорости
7	Курок-переключатель
8	Кнопка реверса
9	Четырехгранный приводной стержень
10	Алюминиевая крышка

## Декларации

### Декларация о соответствии ЕС

Компания **Desoutter GmbH**, Edmund-Seng-Str. 3-5, 63477 Maintal, Germany, с полной ответственностью заявляет, что данное изделие (наименование, тип и серийный номер которого указаны на титульном листе) соответствует положениям следующих директив:

2006/42/EC; 2011/65/EU; 2014/30/EU

Были применены следующие согласованные стандарты: EN 62841-1:2015/A11:2022; EN 62841-2-2:2014; EN IEC 55014-1:2021; EN IEC 55014-2:2021; EN 62233:2008

Официальные органы могут запросить соответствующую техническую информацию у следующих лиц:

Pascal Roussy, R&D Manager, Ets Georges Renault, 38 rue Bobby Sands, BP10273 44818 Saint Herblain, France

Saint-Herblain, 2023/08/28

Pascal ROUSSY

Подпись

### Декларация по шумам и вибрации

Описание	RC9067	RC9077	RC9087
Звуковое давление (K=3) (дБ(A))	92,3	88,4	88,4
Уровень звуковой мощности (K=3) (дБ(A))	100,3	96,4	96,4
Вибрации (K=1,5) (м/с <sup>2</sup> )	5,45	8,15	8,15

Значения звукового давления, звуковой мощности и вибрации соответствуют стандартам EN 62841-2-2:2014 + AC:2015.

Эти заявляемые характеристики получены в результате типовых лабораторных испытаний в соответствии с указанными стандартами и подходят для сравнения с заявленными характеристиками других агрегатов, испытанных в соответствии с теми же самыми стандартами. Уровень вибрации может быть использован для предварительной оценки внешнего воздействия. Эти заявленные значения не могут быть использованы при выполнении оценки рисков. Значения, полученные непосредственно на рабочем месте, могут быть выше заявленных. Значения фактического воздействия и риск причинения вреда каждого отдельного пользователя уникальны и зависят от метода работы пользователя, обрабатываемой детали и оформления рабочего места, а также от времени воздействия и состояния здоровья пользователя.

Компания **Desoutter GmbH** не может нести ответственность за последствия использования заявленных значений вместо значений, отражающих фактическое воздействие, при оценке индивидуальных рисков в ситуации на рабочем месте, которую компания не в состоянии контролировать.

При ненадлежащей манере использования данный инструмент может вызвать вибрационный синдром рук. Руководство ЕС по контролю вибрацией рук содержится на сайте <http://www.pneurop.eu/index.php> при выборе «Инструменты» и затем «Нормативы».

Мы рекомендуем программу контроля за здоровьем, которая обеспечивает раннее обнаружение симптомов вредного воздействия вибрации и позволяет своевременно пересмотреть процедуры обслуживания, чтобы предотвратить дальнейшее ухудшение.

- i** Если данное оборудование предназначено для закрепленных систем:  
Значение излучения шума приведено в качестве руководящей информации для изготовителя устройства. Данные по излучению шума и вибрации для всего устройства должны быть приведены в руководстве по эксплуатации устройства.

## Региональные требования

### **⚠ ПРЕДУПРЕЖДЕНИЕ**

В процессе использования данного продукта существует опасность подвергнуться воздействию химических веществ, в частности, свинца, который, согласно данным, имеющимся в штате Калифорния, вызывает раковые заболевания, врожденные дефекты развития или другие патологии репродуктивной системы. Более подробная информация представлена на веб-сайте

<https://www.p65warnings.ca.gov/>

## Информация относительно статьи 33 в REACH

Регламент Европейского союза (ЕС) № 1907/2006, регулирующий регистрацию, экспертизу, лицензирование и оборот химических средств (REACH), определяет, помимо прочего, требования к коммуникации в цепочке поставок. Информационные требования распространяются также на продукты, которые содержат так называемые особо опасные вещества (перечень веществ-кандидатов). 27 июня 2018 года металлический свинец (CAS номер 7439-92-1) был внесен в перечень веществ-кандидатов.

В связи с вышеизложенным настоящим ставим вас в известность, что некоторые электрические компоненты продукта могут содержать металлический свинец. Это соответствует действующему законодательству в отношении ограничения использования веществ и основано на законных исключениях, указанных в Директиве ЕС по ограничению использования опасных веществ RoHS (2011/65/EU). Металлический свинец не дает утечек или не видоизменяется в продукте во время нормальной эксплуатации, и концентрация металлического свинца в готовом продукте намного ниже применимого порогового значения. Необходимо учитывать местные требования к утилизации свинца после окончания срока службы продукта.

## Безопасность

НЕ ВЫБРАСЫВАТЬ — ПЕРЕДАТЬ ПОЛЬЗОВАТЕЛЮ

- ⚠ ПРЕДУПРЕЖДЕНИЕ** Ознакомьтесь со всеми предупреждениями по безопасной работе, инструкциями, иллюстрациями и спецификациями, которые поставляются вместе с данным электроинструментом.

Несоблюдение приведенных ниже инструкций может привести к поражению электрическим током, пожару и/или серьезной травме.

**Сохраните все предупреждения и инструкции для справки на будущее.**

- ⚠ ПРЕДУПРЕЖДЕНИЕ** Необходимо неукоснительно соблюдать все местные законодательно закрепленные правила техники безопасности, касающиеся установки, эксплуатации и техобслуживания.

### Предписание по использованию

- Только для профессионального использования.
- Запрещается модифицировать данное изделие и его принадлежности каким-либо образом.
- В случае повреждения данного изделия его использование запрещено.
- Если этикетка с информацией об изделии или с предупредительными знаками на корпусе изделия стала неразборчивой или отклеилась, без промедления замените ее.

- Данное устройство должно устанавливаться, эксплуатироваться и обслуживаться только квалифицированным персоналом в промышленных условиях.

## Назначение

Данное изделие предназначено для использования только взрослыми, которые прочли и поняли все инструкции и предупреждения, содержащиеся в данном руководстве, и которых можно считать ответственными за свои действия.

- Данное изделие предназначено для установки и удаления резьбовых крепежных деталей из древесины, металла или пластика.
- Запрещается использовать данное изделие для целей, которые не описаны выше.
- Использование только в помещении
- Любое другое использование запрещено.

Используйте только следующие аккумуляторные блоки и зарядные устройства.

RC20BA20: 8951000467

RC20BA40: 8951000468

RC20BA60: 8951000469

Аккумуляторные блоки можно заряжать только с помощью зарядных устройств Rodcraft.

RC20CHEU: 8951000470

RC20CHUK: 8951000471

Полные инструкции см. в «Информация по безопасности зарядного устройства для батарей» (Печатное издание № 8956002313).

## Общие предупреждения по безопасной работе с электроинструментами

- ⚠ ПРЕДУПРЕЖДЕНИЕ** Ознакомьтесь со всеми предупреждениями по безопасной работе, инструкциями, иллюстрациями и спецификациями, которые поставляются вместе с данным изделием.

Несоблюдение приведенных ниже инструкций может привести к поражению электрическим током, пожару, материальному ущербу и/или серьезной травме.

**Сохраните все предупреждения и инструкции для справки на будущее.**

Понятие "механизированный инструмент" в предупреждениях означает ваш работающий от сети (проводной) или от аккумулятора (беспроводной) механизированный инструмент.

### Техника безопасности на рабочем месте

- Рабочее место должно быть чистым и хорошо освещенным. Беспорядок и темнота способствуют возникновению несчастных случаев.
- Запрещается работать с механизированными инструментами во взрывоопасных атмосферах, например в присутствии легковоспламеняющихся

жидкостей, газов или пыли. Механизированные инструменты являются источниками искр, которые могут воспламенять пыль или испарения.

- При работе с механизированным инструментом необходимо удалить из рабочей зоны детей и посторонних лиц. При отвлечении внимания вы можете потерять контроль над инструментом.

### Электробезопасность

- Избегайте телесного контакта с заземленными поверхностями, такими как трубы, батареи отопления, кухонные плиты и холодильники. При заземлении вашего тела повышается риск поражения электрическим током.
- Не помещайте механизированные инструменты под дождь или во влажные условия. Проникновение воды в механизированный инструмент повышает риск поражения электрическим током.

### Личная безопасность

- При работе с механизированным инструментом сохраняйте бдительность, следите за своими действиями и руководствуйтесь здравым смыслом. Запрещается использовать механизированный инструмент, если вы устали или находитесь под воздействием медицинских препаратов, алкоголя или наркотических веществ. Ослабление внимания всего на мгновение при работе с механизированными инструментами может стать причиной серьезной травмы.
- Используйте оборудование для личной защиты. Всегда надевайте средство защиты глаз. Средства защиты, такие как пылезащитная маска, нескользящая защитная обувь, каска или средство защиты органов слуха, используемые в соответствующих условиях, снижают риск получения травм.
- Предотвращайте непреднамеренный запуск устройства. Перед подключением к источнику питания и/или аккумуляторному блоку, поднятием или переноской инструмента убедитесь, что выключатель находится в положении "выкл.". Переноска механизированных инструментов с пальцем на выключателе или подача питания на механизированные инструменты с выключателем в положении "вкл." способствует возникновению несчастных случаев.
- Уберите все регулировочные и гаечные ключи перед включением механизированного инструмента. Ключ, оставленный на вращающейся части механизированного инструмента, может стать причиной травмы.
- Не переоценивайте свои силы. Всегда сохраняйте устойчивое положение ног и равновесие. Это позволит лучше контролировать механизированный инструмент в непредвиденных ситуациях.
- Одевайтесь надлежащим образом. Не надевайте свободную одежду или ювелирные украшения. Волосы и одежда должны находиться на безопасном расстоянии от движущихся частей.

Свободную одежду, ювелирные украшения или длинные волосы может затянуть в инструмент движущимися частями.

- Если предусмотрены устройства для подключения установок удаления и улавливания пыли, убедитесь, что они подключены и используются надлежащим образом. Применение пылеуловителей может уменьшить опасности, связанные с пылью.
- Приобретая в результате частого использования инструмента навыки работы с ним, не допускайте беспечности и не игнорируйте принципы техники безопасности. Халатность может привести к серьезным травмам за доли секунд.
- При работе в местах, где крепеж может войти в контакт со скрытой электропроводкой, механизированный инструмент следует держать за изолированные поверхности захвата. Контакт крепежных элементов с проводом, находящимся под напряжением, может передать напряжение на оголенные металлические части электроинструмента и привести к поражению оператора электрическим током.

#### Использование и обслуживание механизированных инструментов

- Не прилагайте усилие к механизированному инструменту. Используйте надлежащий приводной инструмент для своей области применения. Правильно подобранный инструмент позволит выполнить работу лучше и безопаснее со скоростью, для которой он был разработан.
- Не используйте механизированный инструмент, если выключатель не включает и не выключает его. Любой приводной инструмент, которым невозможно управлять с помощью выключателя, опасен и подлежит обязательному ремонту.
- Перед выполнением любых регулировок, заменой принадлежностей или помещением механизированных инструментов на хранение отсоедините штепсельную вилку, если она является отсоединяемой, от источника питания и/или аккумуляторный блок от механизированного инструмента. Такие профилактические меры безопасности снижают риск случайного запуска приводного инструмента.
- Храните неработающие механизированные инструменты в недоступном для детей месте и не позволяйте работать с механизированным инструментом лицам, не знакомым с ним или с данными инструкциями. В руках неподготовленных пользователей приводные инструменты опасны.
- Проводите техническое обслуживание электроинструментов и принадлежностей. При проверке следует обращать внимание на смещение или заедание движущихся частей, повреждение деталей и любые другие состояния, которые могут негативно отразиться на работе приводного инструмента. При обнаружении повреждения обязательно отремонтируйте электроинструмент перед его дальнейшим

использованием. Многие несчастные случаи происходят по причине плохого техобслуживания электроинструментов.

- Режущие инструменты всегда должны быть острыми и чистыми. Обслуживаемые надлежащим образом режущие инструменты с острыми режущими кромками с меньшей вероятностью будут заедать, и их будет легче контролировать.
- Используйте механизированный инструмент, принадлежности, вставные резцы и пр. в соответствии с данными инструкциями, учитывая условия эксплуатации и характер выполняемой работы. Использование приводного инструмента не по назначению может приводить к возникновению опасных ситуаций.
- Ручки и хватные поверхности должны оставаться сухими и чистыми, и на них не должно быть масла или смазки. Скользкие ручки и хватные поверхности препятствуют безопасному обращению и работе с инструментом в незапланированных ситуациях.

#### Использование и обслуживание аккумуляторных инструментов

- Заряжайте аккумулятор только с помощью зарядного устройства, указанного изготовителем. Зарядное устройство, которое подходит для одного типа аккумуляторного блока, может создать риск возгорания при использовании с другим аккумуляторным блоком.
- Механизированные инструменты следует использовать только со специально предназначенными аккумуляторными блоками. Применение любых других аккумуляторных блоков может создать риск возгорания и получения травмы.
- Когда аккумуляторный блок не используется, держите его вдали от других металлических предметов, таких как скрепки для бумаги, монеты, ключи, гвозди, винты или другие мелкие металлические предметы, которые могут соединить одну клемму с другой. Закорачивание клемм аккумулятора между собой может привести к возгоранию или получению ожогов.
- При ненадлежащем обращении из аккумулятора может вытечь жидкость; избегайте контакта с ней. При случайном контакте с жидкостью промойте место контакта водой. В случае попадания жидкости в глаза дополнительно обратитесь за медицинской помощью. Жидкость, вытекшая из аккумулятора, может вызвать раздражение или ожоги.
- Не пользуйтесь поврежденным или неисправным аккумуляторным блоком или инструментом. Поврежденные или модифицированные батареи могут демонстрировать непредсказуемое поведение, приводящее к возгоранию, взрыву или риску травмирования.
- Не подвергайте аккумуляторный блок или инструмент воздействию пожара или чрезмерно высокой температуры. Воздействие огня или температур свыше 130°C может привести к взрыву.

- **Соблюдайте все инструкции по зарядке и не заряжайте аккумуляторный блок или инструмент вне температурного диапазона, указанного в инструкциях.** При зарядке с нарушением правил или вне указанного температурного диапазона возможно повреждение аккумуляторной батареи и повышение риска возгорания.

#### Обслуживание

- **Электроинструмент должен обслуживаться квалифицированным специалистом по ремонту с применением только идентичных запасных частей.** Это обеспечит неизменно безопасную работу механизированного инструмента.
- **Ни в коем случае не ремонтируйте поврежденные аккумуляторные блоки.** Ремонт аккумуляторных блоков должен выполняться производителем или авторизованными поставщиками услуг.

### Особые инструкции по устройству

#### Работа с инструментом

1. Установите инструмент в подходящее гнездо.
2. Выберите нужный режим с помощью кнопки регулировки скорости (2).
3. Выберите правильное направление с помощью кнопки реверса (8).
4. Установите инструмент в соответствии с инструкциями по технике безопасности, описанным в данном документе.
5. Нажмите и удерживайте курок-переключатель (7).
6. Держите курок (7) нажатыми до завершения операции.

#### ПРЕДУПРЕЖДЕНИЕ Опасность получения травмы

Поскольку сила реакции увеличивается пропорционально моменту затяжки, существует риск получения серьезной телесной травмы оператором в результате неожиданного поведения инструмента.

- ▶ Убедитесь в том, что инструмент находится в исправном рабочем состоянии и что система правильно запрограммирована.

#### Батарея

Аккумуляторные блоки, которые не использовались в течение определенного времени, необходимо зарядить перед использованием.

Температура выше 50°C (122°F) ухудшает рабочие характеристики аккумуляторного блока. Избегайте длительного воздействия тепла или солнечного света (опасность перегрева).

Контакты зарядных устройств и аккумуляторных блоков следует содержать в чистоте.

Для оптимального срока службы аккумуляторные блоки необходимо полностью зарядить после использования.

Для достижения максимального срока службы аккумулятора, извлеките аккумуляторный блок из зарядного устройства, как только он полностью зарядится.

Аккумуляторный блок оснащен защитой от перегрузки, которая продлевает его срок службы. При чрезмерном напряжении электронный блок аккумулятора автоматически отключает инструмент. Для повторного запуска выключите и включите инструмент. Если инструмент не запускается, то возможно аккумулятор полностью разряжен. В данном случае необходимо зарядить аккумулятор при помощи зарядного устройства.

#### Инструкции по техобслуживанию

- **Соблюдайте местные предписания по защите окружающей среды для безопасного обращения и утилизации всех компонентов.**
- Работы по техническому обслуживанию и ремонту должен выполнять квалифицированный персонал с использованием исключительно оригинальных запасных частей. По вопросам помощи с техническим обслуживанием или приобретения запасных частей обращайтесь к производителю или ближайшему авторизованному дилеру.
- Во избежание непреднамеренного включения, всегда следите за тем, чтобы станок был отсоединен от источника питания.
- При ежедневном использовании инструмента его следует разбирать и осматривать каждые 3 месяца. Поврежденные или изношенные части следует заменять.
- Строго запрещается допускать соприкосновения тормозных жидкостей, бензина, продуктов на основе керосина, пропиточных масел и т. д. с пластмассовыми деталями. Химические средства могут повредить, ослабить или разрушить пластмассу, в результате чего персонал может получить тяжелые травмы.
- Необходимо избегать использования растворителей при очистке пластмассовых деталей. Большинство пластмасс чувствительны к воздействию различных типов растворителей, доступных в продаже, и могут быть повреждены при их использовании. Используйте чистые тканевые салфетки для удаления грязи, пыли, масла, смазки и т. д.

#### Утилизация

- Данное оборудование должно утилизироваться в соответствии с законодательством конкретной страны.
- Поврежденные, сильно изношенные или работающие с нарушениями устройства всегда **ДОЛЖНЫ ВЫВОДИТЬСЯ ИЗ ЭКСПЛУАТАЦИИ.**
- Ремонт должен выполняться только специалистами по техническому обслуживанию.

## Дополнительные правила техники безопасности в отношении шуруповертов и гайковертов

### Опасность затягивания в устройство

- Избегайте вращающегося привода. При несоблюдении безопасной дистанции между волосами, свободной одеждой, перчатками, ювелирными украшениями, шарфами или галстуками и инструментом или его принадлежностями возможны удушение, вырывание волос и сдираание кожи с головы или получение рваных ран.
- Не надевайте широкие перчатки, а также перчатки с разрезанными или изношенными пальцами. Перчатки могут наматываться на вращающийся привод с последующим разрывом или переломом пальцев.
- Вращающиеся приводные головки и удлинители могут легко наматывать на себя перчатки с резиновым покрытием или металлическим армированием.
- Запрещается удерживать привод, головку или удлинитель.

### Опасности при работе

- Операторы и обслуживающий персонал должны быть физически в состоянии управляться с грузом, весом и мощностью инструмента.
- Держите инструмент надлежащим образом: будьте готовы противодействовать его обычным или внезапным движениям. Используйте обе руки.
- Сразу после регулировки расцепной муфты проверьте правильность ее срабатывания.
- Не используйте муфту в изношенном состоянии. Расцепная муфта может не сработать, что приведет к внезапному вращению рукоятки инструмента.
- Следует всегда крепко упираться в рукоятку инструмента в направлении, противоположном вращению шпинделя, чтобы уменьшить воздействие внезапно возникающего реактивного крутящего момента в процессе окончательной затяжки и первоначального ослабления крепежа.
- По возможности используйте подвеску для поглощения реактивного момента. Если это невозможно, то для инструментов с прямым корпусом и с pistol-рукояткой рекомендуется использовать боковые рукоятки, а для угловых гайковертов — реактивные штанги. В любом случае рекомендуется использовать средства для поглощения реактивного момента свыше 4 Нм (3 фунт-сила-футов) для инструментов с прямым корпусом, свыше 10 Нм (7,5 фунт-сила-фута) для инструментов с pistol-рукояткой и свыше 60 Нм (44 фунт-сила-футов) для угловых гайковертов.

### Опасность вылета осколков

- Всегда надевайте ударопрочные средства защиты глаз и лица при непосредственном участии или нахождении рядом в процессе работы, ремонта или техобслуживания инструмента либо замены его принадлежностей.

- Убедитесь, что на всех остальных людях, находящихся в рабочей зоне, надеты ударопрочные средства защиты глаз и лица. Даже мелкие вылетевшие осколки могут повредить глаза и вызвать слепоту.
- Блоки, требующие конкретного момента затяжки, должны проверяться с помощью датчика момента. Так называемые «щелкающие» динамометрические ключи не проверяют узлы на потенциально опасные превышения крутящего момента. Перетянутые или недотянутые крепежные элементы могут сломаться или ослабнуть и отделиться, что может привести к серьезной травме. Незакрепленные блоки могут разлетаться.
- Не используйте головки для ручного инструмента. Следует использовать только силовые или ударные головки в хорошем состоянии.
- Запрещается модифицировать данный инструмент и его принадлежности каким-либо образом.

### Опасность повторяющихся движений

- При использовании механизированного инструмента для выполнения рабочих операций могут возникать неприятные ощущения в кистях, предплечьях, плечах, шее или других частях тела.
- Сохраняйте удобное и надежное положение тела и ног, избегая неуклюжих или неустойчивых поз. Смена положения при выполнении продолжительных операций поможет избежать дискомфорта и утомления.
- Не игнорируйте такие симптомы, как постоянный или периодический дискомфорт, острая или ноющая боль, пульсация, покалывание, онемение, ощущение жжения или околечение. Прекратите работу с инструментом, сообщите своему работодателю и проконсультируйтесь с врачом.

### Опасности на рабочем месте

- Подскользывание, спотыкание и падение являются основными причинами серьезных травм и смерти. Беспорядок на рабочих участках и верстаках способствует получению травм.
- Не используйте инструмент в ограниченном пространстве. Остерегайтесь раздавливания рук между инструментом и обрабатываемой деталью, особенно при отвинчивании крепежа.
- Высокие уровни шума могут вызвать постоянную потерю слуха. Используйте средства защиты органов слуха, рекомендованные вашим работодателем или правилами охраны труда и безопасности.
- Убедитесь, что обрабатываемая деталь закреплена надежно.
- Повторяющиеся рабочие движения, неудобные положения и воздействие вибрации могут быть опасны для рук. При онемении, покалывании, боли или побледнении кожи прекратите работу с инструментом и проконсультируйтесь с врачом.

- Соблюдайте осторожность при работе в незнакомом месте. Остерегайтесь потенциальных опасностей, создаваемых вашими рабочими действиями. Этот инструмент не изолирован от соприкосновения с источниками электропитания.

## Обозначения и наклейки

На данном изделии имеются знаки и наклейки, содержащие важную информацию по технике безопасности и техобслуживанию изделия. Знаки и наклейки должны всегда оставаться разборчивыми. Новые знаки и наклейки можно заказать по перечню запчастей.



s011050

## Обозначения



Извлекайте аккумуляторный блок перед началом проведения любых работ над устройством.



Внимательно изучите инструкции перед запуском данного устройства.



Запрещается утилизировать электроинструменты вместе с бытовыми отходами. Электроинструменты и электронное оборудование, выработавшие свой ресурс, необходимо собрать по отдельности и вернуть на экологически безопасное предприятие по переработке отходов. Узнайте у местных властей или дистрибьютора рекомендации по переработке отходов и информацию о пунктах приема.



Обязательно надевайте очки при использовании данного устройства.

 $n_0$ 

Скорость без нагрузки.

В

Вольт

 $\text{мин}^{-1}$ 

в минуту



Постоянный ток



ПРЕДОСТЕРЕЖЕНИЕ!  
ПРЕДУПРЕЖДЕНИЕ! ОПАСНО!

## Полезные сведения

### Страна происхождения

People's Republic of China

### Веб-сайт

На веб-сайте Rodcraft представлена информация о наших изделиях, принадлежностях, запасных частях, а также печатные материалы.

Посетите: [www.rodcraft.com](http://www.rodcraft.com).

## Паспорт безопасности продукции

В паспортах безопасности продукции описаны химические продукты, поставляемые компанией Rodcraft.

Посетите веб-сайт компании Rodcraft, чтобы ознакомиться с более подробной информацией [qr.cp.com/sds](http://qr.cp.com/sds).

## Авторское право

© Авторское право, 2023, Desoutter GmbH, Edmund-Seng-Str. 3-5, 63477 Maintal, Germany

Все права защищены. Любое несанкционированное использование или копирование содержимого настоящего документа или его части запрещено. В частности, это относится к товарным знакам, названиям моделей, номерам деталей и чертежам. Используйте только разрешенные запасные части. Любые повреждения или неисправности, возникшие в результате использования неразрешенных запасных частей, не попадают под действие гарантии и ответственности производителя за продукцию.

## Dane techniczne

### Opis produktu

Patrz *Schema 2*.

1	Miękki uchwyt
2	Przycisk regulacji prędkości
3	Akumulator
4	Przycisk akumulatora
5	Lampka robocza
6	Lampka wskaźnika regulacji prędkości
7	Spust
8	Przycisk zmiany kierunku
9	Trzpień kwadratowy
10	Aluminiowa pokrywa

## Deklaracje

### Deklaracja zgodności EU

Firma Desoutter GmbH, Edmund-Seng-Str. 3-5, 63477 Maintal, Germany oświadcza na swoją wyłączną odpowiedzialność, że produkt (którego nazwę, typ i numer seryjny podano na stronie tytułowej) jest zgodny z postanowieniami następujących dyrektyw:

2006/42/EC; 2011/65/EU; 2014/30/EU

Obowiązujące normy zharmonizowane:

EN 62841-1:2015/A11:2022; EN 62841-2-2:2014; EN IEC 55014-1:2021; EN IEC 55014-2:2021; EN 62233:2008

Władze mogą zażądać istotnych informacji technicznych od:

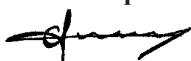
Pascal Roussy, R&D Manager, Ets Georges Renault, 38 rue Bobby Sands, BP10273 44818 Saint Herblain, France



Saint-Herblain, 2023/08/28

Pascal ROUSSY

Podpis

**Oświadczenie o poziomie hałasu i drgań**

Opis	RC9067	RC9077	RC9087
Ciężenie akustyczne (K=3) (dB(A))	92,3	88,4	88,4
Poziomą mocą akustyczną (K=3) (dB(A))	100,3	96,4	96,4
Wibracje (K=1,5) (m/s <sup>2</sup> )	5,45	8,15	8,15

Wartości ciśnienia akustycznego, mocy akustycznej i wibracji są zgodne z normą EN 62841-2-2:2014 + AC:2015.

Te deklarowane wartości zostały uzyskane w ramach prób laboratoryjnych zgodnie z wymienionymi standardami. Można ich używać do porównywania z wartościami deklarowanymi innych narzędzi przetestowanych zgodnie z tymi samymi standardami. Wartości poziomu emisji drgań można też używać do wstępnej oceny oddziaływania. Nie można ich używać do oceny ryzyka, a wartości zmierzone w poszczególnych miejscach pracy mogą być wyższe. Rzeczywiste wartości oddziaływania i ryzyko obrażeń poszczególnych użytkowników są unikatowe i zależą od sposobu pracy użytkownika, przedmiotu obrabianego i konstrukcji stanowiska pracy, a także czasu oddziaływania i warunków fizycznych użytkownika.

Firma **Desoutter GmbH** nie może ponosić odpowiedzialności za skutki stosowania deklarowanych wartości, zamiast wartości odzwierciedlających rzeczywiste narażenie na hałas i drgania, w przypadku indywidualnej oceny zagrożeń występujących w konkretnej sytuacji w miejscu pracy, nad którą firma Desoutter nie sprawuje kontroli.

Niniejsze narzędzie może powodować wystąpienie syndromu drgań rąk-ramion (HAVS), jeśli nie jest używane we właściwy sposób. Informator Rady Unii Europejskiej dotyczący ochrony przed drganiami przenoszonymi na ręce operatora jest dostępny na stronie <http://www.pneurop.eu/index.php> po wybraniu „Tools” (Narzędzia), a następnie „Legislation” (Ustawodawstwo).

Zalecamy przeprowadzanie badań okresowych, mających na celu wykrycie objawów związanych z działaniem drgań, aby umożliwić zmianę procedur i zapobiec dalszemu pogorszeniu stanu zdrowia.

**i** Jeśli niniejszy sprzęt jest przeznaczony do mocowania w uchwytach:

Wielkość emisji hałasu jest podawana jako wskazówka dla konstruktora narzędzia. Odnoszące się do całego narzędzia dane dotyczące emisji drgań i hałasu powinny być zamieszczone w instrukcji obsługi narzędzia.

**Wymagania regionalne****⚠ OSTRZEŻENIE**

Ten produkt może narazić użytkownika na kontakt z chemikaliami, między innymi ołowiem, który wg władz stanu Kalifornia powoduje raka, wady wrodzone i upośledzenie płodności. Więcej informacji podano w witrynie

<https://www.p65warnings.ca.gov/>

**Informacje dotyczące artykułu 33 rozporządzenia REACH**

Rozporządzenie Unii Europejskiej (UE) nr 1907/2006 w sprawie rejestracji, oceny, udzielania zezwoleń i stosowanych ograniczeń w zakresie chemikaliów (REACH) definiuje między innymi wymagania dotyczące komunikacji w łańcuchu dostaw. Wymóg informacyjny ma zastosowanie do produktów zawierających tak zwane substancje stanowiące bardzo duże zagrożenie (lista kandydacka). 27 czerwca 2018 do listy kandydackiej dodano ołów (CAS nr 7439-92-1).

W związku z powyższym niniejszy dokument służy poinformowaniu, że niektóre podzespoły elektryczne produktu mogą zawierać ołów. Jest zgodny z obowiązującymi przepisami dotyczącymi substancji zakazanych i został opracowany w oparciu o zatwierdzone wyłączenia w dyrektywie RoHS (2011/65/UE). Ołów nie będzie wyciekał z produktu ani zmieniać formy podczas normalnej eksploatacji i jego stężenie w całym produkcie jest znacznie niższe niż obowiązująca wartość graniczna. Należy przestrzegać lokalnych wymagań dotyczących utylizacji ołowiu po upływie okresu eksploatacji produktu.

**Bezpieczeństwo**

Nie wyrzucać — przekazać użytkownikowi

**⚠ OSTRZEŻENIE** Należy przeczytać wszystkie ostrzeżenia dotyczące bezpieczeństwa oraz zapoznać się ze wszystkimi instrukcjami, ilustracjami i specyfikacjami dołączonymi do niniejszego narzędzia mechanicznego.

Nieprzestrzeganie wszystkich zamieszczonych poniżej instrukcji może doprowadzić do porażenia prądem elektrycznym, pożaru i/lub poważnych obrażeń.

**Wszystkie ostrzeżenia i instrukcje należy zachować do wykorzystania w przyszłości.**

**⚠ OSTRZEŻENIE** Należy zawsze przestrzegać wszystkich lokalnych przepisów dotyczących instalacji, obsługi i konserwacji.

**Oświadczenie o przeznaczeniu**

- Wyłącznie do użytku profesjonalnego.
- Nie wolno w żaden sposób modyfikować produktu ani jego akcesoriów.
- Nie należy użytkować uszkodzonego produktu.
- Jeśli umieszczone na produkcie etykiety zawierające dane produktu lub ostrzegające przed niebezpieczeństwem przestaną być czytelne lub odpadną, należy je niezwłocznie wymienić.



- Produkt musi być instalowany, obsługiwany i serwisowany wyłącznie przez wykwalifikowaną osobę w warunkach przemysłowych.

## Przeznaczenie

Ten produkt jest przeznaczony do używania wyłącznie przez osoby dorosłe, które zapoznały się ze zrozumieniem z instrukcją obsługi i ostrzeżeniami przedstawionymi w tej instrukcji, a także takie, które można uznać za osoby odpowiedzialne.

- Niniejszy produkt jest przeznaczony do montażu i demontażu gwintowanych elementów mocujących w drewnie, metalu i tworzywach sztucznych.
- Nie wolno stosować produktu do żadnych innych czynności z wyjątkiem opisanych powyżej.
- Tylko do użytku w pomieszczeniach
- Używanie do innych celów jest niedozwolone.

Używać wyłącznie następujących akumulatorów i ładowarek.

RC20BA20: 8951000467

RC20BA40: 8951000468

RC20BA60: 8951000469

Akumulatory mogą być ładowane wyłącznie za pomocą ładowarek Rodcraft.

RC20CHEU: 8951000470

RC20CHUK: 8951000471

Pełne instrukcje znajdują się w Informacji o bezpieczeństwie ładowarki akumulatorów (materiały drukowane nr 8956002313).

## Ogólne ostrzeżenia dotyczące bezpieczeństwa użytkowania narzędzi mechanicznych

**⚠ OSTRZEŻENIE** Należy przeczytać wszystkie ostrzeżenia dotyczące bezpieczeństwa oraz zapoznać się ze wszystkimi instrukcjami, ilustracjami i specyfikacjami dostarczonymi z produktem.

Nieprzestrzeganie wszystkich zamieszczonych poniżej instrukcji może doprowadzić do szkody materialnej, porażenia prądem elektrycznym, pożaru i/lub poważnych obrażeń.

**Wszystkie ostrzeżenia i instrukcje należy zachować do wykorzystania w przyszłości.**

Użyte w ostrzeżeniach określenie „elektronarzędzie” odnosi się do narzędzia zasilanego z sieci (przewodowego) lub do narzędzia akumulatorowego (beprzewodowego).

### Bezpieczeństwo w miejscu pracy

- **Miejsce pracy powinno być czyste i dobrze oświetlone.** Bałagan i brak oświetlenia miejsca pracy sprzyjają wypadkom.
- **Narzędzi mechanicznych nie wolno użytkować w atmosferach wybuchowych, na przykład w obecności łatwopalnych cieczy, gazów lub pyłu.** Narzędzia mechaniczne wytwarzają iskry, które mogą spowodować zapłon pyłu lub oparów.

- **Podczas wykonywania pracy narzędziem mechanicznym dzieci i osoby postronne powinny znajdować się w stosownej odległości.** Odwrócenie uwagi może spowodować utratę kontroli nad narzędziem.

### Bezpieczeństwo elektryczne

- **Unikać kontaktu ciała z powierzchniami uziemionymi, takimi jak rury, grzejniki, piece elektryczne i chłodziarki.** W przypadku uziemienia ciała występuje zwiększone ryzyko porażenia prądem elektrycznym.
- **Narzędzi mechanicznych nie wolno narażać na działanie deszczu lub wilgoci.** Woda przedostająca się do narzędzia mechanicznego zwiększa zagrożenie porażeniem prądem elektrycznym.

### Bezpieczeństwo osobiste

- **Podczas używania narzędzia mechanicznego należy być skupionym, patrzeć na to co się robi i zachowywać zdrowy rozsądek. Nie wolno używać narzędzia mechanicznego będąc zmęczonym lub znajdując się pod wpływem narkotyków, alkoholu bądź leków.** Chwila nieuwagi podczas pracy z narzędziem mechanicznym może doprowadzić do poważnych obrażeń.
- **Stosować środki ochrony indywidualnej. Zawsze nosić okulary ochronne.** Używany w odpowiednich warunkach sprzęt ochronny, taki jak maska przeciwpyłowa, antypoślizgowe obuwie ochronne, kask ochronny i ochronniki słuchu, przyczynia się do zmniejszenia ryzyka obrażeń ciała.
- **Zapobiegać niezamierzonemu uruchomieniu narzędzia mechanicznego. Przed podłączeniem do sieci zasilającej i/lub pakietu akumulatorowego bądź przed podniesieniem lub przeniesieniem narzędzia należy się upewnić, że wyłącznik znajduje się w pozycji wyłączonej.** Przenoszenie narzędzi mechanicznych z palcem na wyłączniku lub podłączanie ich do zasilania przy włączonym wyłączniku sprzyja wypadkom.
- **Przed uruchomieniem narzędzia mechanicznego należy wyjąć klucz regulacyjny.** Klucz pozostawiony w obrotowym elemencie narzędzia mechanicznego może spowodować obrażenia.
- **Nie wychylać się za daleko poza miejsce pracy. W każdych okolicznościach należy utrzymywać odpowiednie oparcie dla nóg i dbać o zachowanie równowagi.** Umożliwia to zachowanie lepszej kontroli nad narzędziem mechanicznym w nieoczekiwanych sytuacjach.
- **Nosić odpowiednią odzież. Nie wolno nosić luźnego ubrania ani biżuterii. Nie należy zbliżać włosów ani odzieży do ruchomych elementów.** Luźne ubranie, biżuteria lub długie włosy mogą wkręcić się w ruchome części.
- **Jeśli do narzędzi mogą być podłączane urządzenia do odsysania i zbierania pyłu, należy zadbać o prawidłowe podłączenie i używanie tych urządzeń.** Stosowanie urządzenia do zbierania pyłu może ograniczyć zagrożenia związane z pyłem.
- **Nie wolno dopuścić, aby przyzwyczajenia nabyte na skutek częstego używania narzędzi prowadziły do samozadowolenia i ignorowania zasad bezpiecznego użytkowania narzędzi.** Nieostrożne postępowanie może spowodować poważne obrażenia w ułamku sekundy.

- Podczas wykonywania prac, w trakcie których element mocujący może zetknąć się z ukrytymi przewodami elektrycznymi, narzędzie mechaniczne należy trzymać za izolowany uchwyt. Elementy złączne stykające się z przewodem będącym pod napięciem ("gorącym") mogą spowodować pojawienie się napięcia na odsłoniętych metalowych częściach narzędzia, w wyniku czego może nastąpić porażenie operatora prądem elektrycznym.

#### Użytkowanie i konserwacja narzędzi mechanicznych

- **Nie wolno przeciążać narzędzi mechanicznych. Stosować właściwe narzędzie mechaniczne do wykonywanego zadania.** Właściwe narzędzie mechaniczne wykona pracę lepiej i bezpieczniej, z szybkością, na którą zostało zaprojektowane.
- **Nie wolno używać narzędzia mechanicznego, jeśli wyłącznik nie powoduje włączania i wyłączania narzędzia.** Narzędzie mechaniczne, które nie może być sterowane wyłącznikiem jest niebezpieczne i musi zostać naprawione.
- **Przed wykonaniem jakichkolwiek regulacji, wymianą akcesoriów lub przed odłożeniem narzędzia mechanicznego do miejsca przechowywania należy odłączyć wtyczkę od sieci zasilającej i/lub pakietu akumulatorowego, jeśli istnieje taka możliwość.** Stosowanie takich zapobiegawczych środków bezpieczeństwa zmniejsza ryzyko przypadkowego uruchomienia narzędzia mechanicznego.
- **Nieużywane narzędzia mechaniczne należy przechowywać w miejscu niedostępnym dla dzieci, a ponadto nie wolno zezwalać na posługiwanie się narzędziami mechanicznymi przez osoby nieobeznane z ich obsługą.** Narzędzia mechaniczne są niebezpieczne w rękach nieprzeszkolonych użytkowników.
- **Należy zachować narzędzia mechaniczne i akcesoria. Sprawdzać, czy nie występuje niewyosiowanie bądź zacinalanie się części ruchomych, uszkodzenie części lub jakiegokolwiek inne czynniki, które mogą mieć wpływ na pracę narzędzia mechanicznego. Jeśli narzędzie mechaniczne jest uszkodzone, przez użyciem należy je naprawić.** Powodem wielu wypadków jest niewłaściwa konserwacja narzędzi mechanicznych.
- **Narzędzia tnące należy utrzymywać w ostrym i czystym stanie.** Właściwie konserwowane narzędzia tnące, o ostrych krawędziach tnących, są mniej podatne na zakleszczanie i dają się łatwiej prowadzić.
- **Narzędziem mechanicznym, akcesoriami, nożami oprawkowymi itp. należy posługiwać się zgodnie z niniejszymi instrukcjami, uwzględniając panujące warunki pracy oraz rodzaj wykonywanego zadania.** Używanie narzędzia mechanicznego do prac niezgodnych z jego przeznaczeniem może doprowadzić do wystąpienia niebezpiecznych sytuacji.
- **Uchwyty i powierzchnie chwytne należy utrzymywać w stanie suchym, czystym i wolnym od olejów i smarów.** Śliskie uchwyty i powierzchnie chwytne uniemożliwiają bezpieczną obsługę i sprawowanie kontroli nad narzędziem w nieoczekiwanych sytuacjach.

#### Użytkowanie i konserwacja narzędzi akumulatorowych

- **Ładowanie akumulatora należy wykonywać wyłącznie przy użyciu ładowarki określonej przez producenta.** Ładowarka nadająca się do ładowania pakietu akumulatorowego określonego typu może stwarzać niebezpieczeństwo pożaru w przypadku jej używania do ładowania innego pakietu akumulatorowego.
- **Elektronarzędzia należy zasilać wyłącznie przy użyciu ściśle określonych akumulatorów.** Używanie jakiegokolwiek innego akumulatora może stać się przyczyną zranienia i pożaru.
- **Nieużywany pakiet akumulatorowy należy przechowywać z dala od metalowych przedmiotów, takich jak spinacze, monety, klucze, gwoździe, śruby i inne małe metalowe przedmioty, które mogą spowodować zwarcie biegunów pakietu akumulatorowego.** Zwarcie biegunów akumulatora może spowodować oparzenia lub pożar.
- **W nieprawidłowych warunkach użytkowania z akumulatora może wydostać się elektrolit; unikać kontaktu.** W razie przypadkowego kontaktu elektrolitu ze skórą należy przemyć skażoną powierzchnię ciała wodą. W przypadku kontaktu elektrolitu z oczami należy ponadto zwrócić się o pomoc lekarską. Elektrolit wydostający się z akumulatora może spowodować podrażnienia lub oparzenia.
- **Nie używać uszkodzonego bądź zmodyfikowanego pakietu akumulatorowego lub narzędzia.** Uszkodzone lub zmodyfikowane akumulatory mogą zachować się w sposób nieprzewidywalny i spowodować pożar, wybuch lub obrażenia ciała.
- **Nie wolno narażać akumulatora ani narzędzia na działanie ognia lub nadmiernej temperatury.** Narażenie na działanie ognia lub temperatury powyżej 130°C może spowodować wybuch.
- **Należy przestrzegać wszystkich instrukcji dotyczących ładowania i nie ładować pakietu akumulatorowego ani narzędzia w temperaturze wykraczającej poza zakres określony w instrukcjach.** Ładowanie przeprowadzane nieprawidłowo lub w temperaturach wykraczających poza określony zakres może spowodować uszkodzenie akumulatora i zwiększyć ryzyko pożaru.

#### Serwis

- **Naprawę posiadanego narzędzia mechanicznego należy powierzać wykwalifikowanemu technikowi serwisowemu, używającemu wyłącznie oryginalnych części zamiennych.** Zapewni to zachowanie bezpieczeństwa użytkownika narzędzia mechanicznego.
- **W żadnym wypadku nie należy serwisować uszkodzonych pakietów akumulatorowych.** Serwisowanie pakietów akumulatorowych powinno być przeprowadzane wyłącznie przez producenta lub autoryzowane punkty serwisowe.

#### Instrukcje dotyczące produktu

##### Obsługa narzędzia

1. Zamontować na narzędziu odpowiednią nasadkę.

2. Ustawić właściwy tryb pracy za pomocą przycisku regulacji prędkości (2).
3. Wybrać właściwy kierunek za pomocą przycisku zmiany kierunku (8).
4. Ustawić narzędzie zgodnie z instrukcjami bezpieczeństwa zawartymi w tym dokumencie.
5. Nacisnąć i przytrzymać spust (7).
6. Przytrzymać naciśnięty spust (7) aż do zakończenia pracy.

### **⚠ OSTRZEŻENIE Ryzyko obrażeń**

Ponieważ siła reakcji rośnie proporcjonalnie do momentu dokręcania, istnieje ryzyko odniesienia poważnych obrażeń ciała przez operatora w wyniku nieoczekiwanego zachowania się narzędzia.

- ▶ Należy upewnić się, że narzędzie jest w doskonałym stanie technicznym oraz że system został prawidłowo zaprogramowany.

### **Akumulator**

Akumulatory, które nie były używane przez pewien czas, należy ponownie naładować przed użyciem.

W temperaturze wyższej niż 50°C (122°F) pojemność akumulatora jest mniejsza. Należy unikać długotrwałego narażania narzędzia na działanie wysokiej temperatury lub światła słonecznego (ryzyko przegrzania).

Styki ładowarek i pakietów akumulatorowych należy utrzymywać w czystości.

Po wyczerpaniu energii akumulatorów należy je w pełni naładować, aby zapewnić ich długi okres eksploatacji. Aby zapewnić najdłuższy okres eksploatacji akumulatora, należy go wyjąć z ładowarki po pełnym naładowaniu.

Pakiet akumulatorów posiada zabezpieczenie przed przeładowaniem, które ochrania go przed przeładowaniem i pomaga zapewnić długi czas jego użytkowania. W warunkach ogromnego napięcia urządzenie elektroniczne na baterie może całkowicie automatycznie wyłączyć produkt. Aby uruchomić je ponownie, należy wyłączyć, a potem znów włączyć produkt. W przypadku, gdy produkt nie uruchomi się podobnie, możliwe, że pakiet akumulatorowy został całkowicie rozładowany. W takim przypadku należy go naładować ponownie w ładowarce baterii.

### **Wskazówki dotyczące konserwacji**

- Postępować zgodnie z krajowymi przepisami dotyczącymi bezpiecznej obsługi i utylizacji wszystkich podzespołów.
- Czynności konserwacyjne i naprawcze muszą być przeprowadzane przez wykwalifikowany personel z użyciem wyłącznie oryginalnych części zamiennych. W celu uzyskania porady na temat obsługi technicznej lub części zamiennych należy skontaktować się z producentem lub najbliższym autoryzowanym dealerem.
- Zawsze sprawdzać, czy maszyna jest odłączona od źródła energii, aby uniknąć przypadkowego uruchomienia.
- Jeśli narzędzie jest używane każdego dnia, rozmontowywać je i sprawdzać co 3 miesiące. Wymieniać uszkodzone lub zużyte części.

- Zapobiegać kontaktowi płynów hamulcowych, benzyny, produktów na bazie ropy naftowej, olejów itd. z częściami wykonanymi z tworzywa sztucznego. Środki chemiczne mogą spowodować uszkodzenie, osłabienie lub zniszczenie tworzywa sztucznego, co może prowadzić do poważnych obrażeń ciała.
- Unikać rozpuszczalników podczas czyszczenia części z tworzywa sztucznego. Większość tworzyw sztucznych jest podatnych na uszkodzenia przez różne rodzaje rozpuszczalników i może zostać uszkodzona przez ich użycie. Używać czystych szmatek do usuwania pyłu, kurzu, oleju, smaru itd.

### **Utylizacja**

- Ten sprzęt należy utylizować zgodnie z prawodawstwem krajowym.
- Uszkodzone, zużyte lub nieprawidłowo działające urządzenia **NALEŻY WYCOFAĆ Z EKSPLOATACJI**.
- Naprawy powierzyć personelowi technicznemu utrzymania ruchu.

### **Dodatkowe zasady bezpieczeństwa dotyczące śrubokrętów i kluczy maszynowych**

#### **Niebezpieczeństwo pochwycenia**

- **Zachować bezpieczny odstęp od obracającego się mechanizmu napędowego.** Pochwycenie luźnej odzieży, rękawic, biżuterii, krawatów bądź apaszek oraz włosów przez narzędzie lub jego akcesoria grozi uduszeniem, oskalpowaniem i/lub zranieniem.
- **Nie wolno nosić zbyt luźnych rękawic lub rękawic z otworami na palce bądź postrzępionymi końcówkami na palce.** Rękawice mogą zostać pochwycone przez obracający się mechanizm napędowy, powodując urwanie lub złamanie palców.
- **Obracające się nasadki napędowe i przedłużki mechanizmu napędowego mogą z łatwością pochwycić gumowane lub wzmocnione metalem rękawice.**
- **W żadnym wypadku nie wolno chwytać mechanizmu napędowego, nasadki lub przedłużki mechanizmu napędowego.**

#### **Zagrożenia występujące podczas pracy z narzędziami**

- **Operatorzy i personel konserwacyjny muszą być fizycznie zdolni do obsługi narzędzia o określonej wielkości, masie i mocy.**
- **Narzędzie należy trzymać prawidłowo: należy być przygotowanym do przeciwdziałania normalnym lub nagłym ruchom narzędzia.** Operator musi mieć możliwość posługiwania się obiema rękami.
- **Po wyregulowaniu sprzęgła należy natychmiast sprawdzić prawidłowość jego działania.**
- **Nie używać w przypadku występowania nadmiernego zużycia.** Sprzęgło może nie funkcjonować, co spowoduje nagły obrót uchwytu narzędzia.

- Aby zmniejszyć wpływ nagłego zadziałania momentu obrotowego podczas końcowej fazy dokręcania i początkowej fazy odkręcania, należy zawsze podtrzymywać uchwyt narzędzia w kierunku przeciwnym do obrotów wrzeciona.
- Jeśli to możliwe, należy posługiwać się podwieszanym ramieniem w celu zamortyzowania reakcyjnego momentu obrotowego. Jeśli jest to niemożliwe, zaleca się używanie uchwytów bocznych w przypadku narzędzi z uchwytem prostym i uchwytem pistoletowym; w przypadku kątowych wkrętek do nakrętek zaleca się używanie drążków reakcyjnych. W każdym przypadku zaleca się stosowanie odpowiednich sposobów amortyzowania reakcyjnego momentu obrotowego o wartości powyżej 4 Nm (3 lbf.ft) w przypadku narzędzi z uchwytem prostym, o wartości powyżej 10 Nm (7,5 lbf.ft) w przypadku narzędzi z uchwytem pistoletowym i o wartości powyżej 60 Nm (44 lbf.ft) w przypadku kątowych wkrętek do nakrętek.

#### Niebezpieczeństwo zranienia odłamkami

- Podczas posługiwania się narzędziem, a także podczas naprawy lub konserwacji narzędzia bądź w trakcie wymiany jego akcesoriów należy zawsze nosić odporne na uderzenia okulary ochronne i osłonę twarzy.
- Należy zadbać o to, aby inne znajdujące się w pobliżu osoby nosiły okulary ochronne i osłonę twarzy. Nawet małe odłamki mogą uszkodzić oczy i spowodować ślepotę.
- Zespoły wymagające określonego momentu dokręcania należy sprawdzić przy użyciu miernika momentu. Klucze dynamometryczne z mechanizmem zapadkowym nie zapewniają dostatecznej kontroli nad potencjalnie niebezpiecznym stanem przeciążenia w wyniku nadmiernego momentu obrotowego. Dokręcenie elementów złącznych zbyt dużym lub zbyt małym momentem obrotowym może doprowadzić do ich pęknięcia lub poluzowania i rozłączenia, co może spowodować poważne obrażenia ciała. Uwolnione elementy zespołów mogą stać się pociskami.
- Nie wolno używać nasadek przeznaczonych do narzędzi ręcznych. Używać wyłącznie będących w dobrym stanie nasadek przeznaczonych do narzędzi mechanicznych lub do narzędzi udarowych.
- Niniejszego narzędzia ani jego akcesoriów nie wolno w żaden sposób modyfikować.

#### Zagrożenia związane z wykonywaniem powtarzających się ruchów

- Podczas pracy z użyciem elektronarzędzia operator może odczuwać dyskomfort w dłoniach, ramionach, barkach, szyi lub innych częściach ciała.
- Należy przyjąć wygodną pozycję, pamiętając jednocześnie o zachowaniu pewnego oparcia dla stóp i unikaniu nienaturalnych lub niezrównoważonych pozycji. Zmiana pozycji podczas wykonywania długotrwałych zadań może pomóc w uniknięciu dyskomfortu i zmęczenia.

- Nie należy ignorować takich objawów jak uporczywy lub powracający dyskomfort, ból, silne bicie serca, uczucie mrowienia, drętwienia, pieczenia lub zesztywnienia. Należy zaprzestać używania narzędzia, powiadomić pracodawcę i zasięgnąć porady lekarza.

#### Zagrożenia związane z miejscem pracy

- Główną przyczyną poważnych obrażeń lub śmierci jest poślizgnięcie/przewrócenie/upadek. Bałagan w miejscu pracy oraz na stołach warsztatowych sprzyja obrażeniom.
- Nie używać narzędzia w ograniczonych przestrzeniach. Podczas użytkowania narzędzia, szczególnie podczas odkręcania, należy uważać na ręce, aby nie uległy zmiażdżeniu między narzędziem i przedmiotem obrabianym.
- Wysoki poziom hałasu może spowodować trwałą utratę słuchu. Należy stosować ochronniki słuchu zalecane przez pracodawcę lub przepisy bezpieczeństwa i higieny pracy.
- Upewnić się, że obrabiany przedmiot jest pewnie zamocowany.
- Powtarzające się ruchy rąk, nienaturalne pozycje ciała oraz narażenie na drgania mogą być szkodliwe dla dłoni i ramion. W przypadku wystąpienia drętwienia, mrowienia, bólu lub bladej skóry należy zaprzestać używania narzędzia i zasięgnąć porady lekarza.
- Należy zachować ostrożność w nieznanym otoczeniu. Należy mieć świadomość istnienia potencjalnych zagrożeń powodowanych przez wykonywane prace. Niniejsze narzędzie nie ma izolacji zabezpieczającej przed kontaktem ze źródłami zasilania energią elektryczną.

#### Oznakowania i naklejki

Na produkcie umieszczone są znaki i naklejki zawierające ważne informacje dotyczące bezpieczeństwa ludzi i konserwacji produktu. Znaki i naklejki powinny być zawsze czytelne. Nowe znaki i naklejki można zamówić, korzystając z listy części zamiennych.



s011050

#### Symbole



Wyjąć akumulator przed przystąpieniem do prac we wnętrzu urządzenia.





Przed uruchomieniem urządzenia zapoznać się dokładnie z instrukcją obsługi.



Nie wyrzucać narzędzi elektrycznych wraz z odpadami z gospodarstwa domowego. Narzędzia elektryczne i sprzęt elektroniczny, których okres eksploatacji się skończył, należy zebrać osobno i oddać do zakładu zajmującego się recyklingiem. Więcej informacji o recyklingu i punktach zbiórki można uzyskać od władz lokalnych lub sprzedawcy.



Podczas użytkowania urządzenia zawsze nosić okulary ochronne.

$n_0$	Brak prędkości ładunku.
V	Wolty
$\text{min}^{-1}$	na minutę
	Prąd stały
	UWAGA! OSTRZEŻENIE! NIEBEZPIECZEŃSTWO!

## Przydatne informacje

### Kraj pochodzenia

People's Republic of China

### Strona internetowa

Informacje o naszych produktach, akcesoriach, częściach zamiennych i publikacjach można odnaleźć na stronie Rodcraft.

Zapraszamy do odwiedzenia: [www.rodcraft.com](http://www.rodcraft.com).

### Karta charakterystyki materiału

Karty charakterystyki materiałów opisują produkty chemiczne sprzedawane przez firmę Rodcraft.

Więcej informacji zamieszczono na stronie internetowej Rodcraft pod adresem [qr.cp.com/sds](http://qr.cp.com/sds).

### Prawa autorskie

© Copyright 2023, Desoutter GmbH, Edmund-Seng-Str. 3-5, 63477 Maintal, Germany

Wszelkie prawa zastrzeżone. Wszelkie nieuprawnione użytkowanie lub kopiowanie zawartości niniejszego dokumentu bądź jego części jest zabronione. Dotyczy to w szczególności znaków towarowych, oznaczeń modeli, numerów części oraz rysunków. Używać wyłącznie zatwierdzonych części zamiennych. Wszelkie uszkodzenia lub usterki spowodowane używaniem niezatwierdzonych części zamiennych nie są objęte gwarancją ani odpowiedzialnością z tytułu rękojmi za wady produktu.

## Technické údaje

### Popis výrobku

Pozri *Schema 2*.

1	Mäkká rukoväť
2	Tlačidlo nastavenia otáčok
3	Batéria
4	Tlačidlo na batérii
5	Pracovná lampa
6	Kontrolka nastavenia otáčok
7	Spúšť spínača
8	Tlačidlo obrátenia chodu
9	Štvorcové upínadlo
10	Hliníkový kryt

## Vyhlasenia

### EU Vyhlásenie o zhode

My, **Desoutter GmbH**, Edmund-Seng-Str. 3-5, 63477 Maintal, Germany, vyhlasujeme na našu výhradnú zodpovednosť, že výrobok (s názvom, typovým a výrobným číslom, pozri prednú stranu), je v zhode s nasledovnou(ými) smernicou(ami):

2006/42/EC; 2011/65/EU; 2014/30/EU

Uplatnené harmonizované normy:

EN 62841-1:2015/A11:2022; EN 62841-2-2:2014; EN IEC 55014-1:2021; EN IEC 55014-2:2021; EN 62233:2008

Orgány si môžu vyžiadať príslušné technické informácie od:

Pascal Roussy, R&D Manager, Ets Georges Renault, 38 rue Bobby Sands, BP10273 44818 Saint Herblain, France

Saint-Herblain, 2023/08/28

Pascal ROUSSY

Podpis



### Vyhlasenie o hlučnosti a vibráciách

Popis	RC9067	RC9077	RC9087
Akustický tlak (K=3) (dB(A))	92,3	88,4	88,4
Akustický výkon (K=3) (dB(A))	100,3	96,4	96,4
Vibrácie (K=1.5) (m/s <sup>2</sup> )	5,45	8,15	8,15

Hodnoty akustického tlaku, akustického výkonu a vibrácií sú v súlade s normou EN 62841-2-2:2014 + AC:2015.

Tieto uvádzané hodnoty boli získané prostredníctvom laboratórnych typových skúšok v súlade so stanovenými normami a sú vhodné na porovnanie s uvádzanými hodnotami iných nástrojov, pre ktoré sa vykonali skúšky v súlade s rovnakými normami. Hladina emisie vibrácií sa môže použiť na predbežné posúdenie expozície. Tieto uvádzané hodnoty nie sú vhodné na použitie pri hodnotení rizík a hodnoty namerané na jednotlivých pracoviskách môžu byť vyššie. Aktuálne hodnoty expozície a riziko poškodenia zdravia jednotlivých používateľov sú špecifické a závisia od spôsobu práce používateľa, konkrétneho obrobku a pracoviska a tiež od času expozície a fyzickej kondície používateľa.

My, **Desoutter GmbH**, nemôžeme byť zodpovední za následky používania uvádzaných hodnôt namiesto hodnôt, ktoré zodpovedajú aktuálnemu vyžarovaniu v individuálnom posúdení rizika v situácii na pracovnom mieste, nad ktorým nemáme kontrolu.

Tento nástroj môže spôsobiť syndróm vibrácií pôsobiacich na ruky a ramená, aj nie je adekvátne spravované jeho používanie. Príručku EÚ o riešení vibrácií pôsobiacich na ruky a ramená môžete nájsť na stránke <http://www.pneurop.eu/index.php> po zvolení položiek „Nástroje“ a potom „Legislatíva“.

Odporúčame preventívnu kontrolu zdravotného stavu na detekciu včasných príznakov v dôsledku zaťaženia vibráciami, aby bolo možné upraviť postupy, ktoré by zabránili výskytu ťažkostí v budúcnosti.

- i** Ak toto zariadenie je určené pre upínacie aplikácie: Emisie hluku sú uvedené ako odporúčanie pre výrobcu stroja. Údaje o emisii hluku a vibrácií pre celý stroj nájdete v návode na obsluhu stroja.

## Regionálne požiadavky

### **VAROVANIE**

Pri používaní tohto výrobku môžete byť vystavení chemikáliám vrátane olova, o ktorom je v štáte Kalifornia známe, že spôsobuje rakovinu a vrodené chyby alebo iné reprodukčné poruchy. Pre viac informácií prejdite na <https://www.p65warnings.ca.gov/>

## Informácie týkajúce sa článku 33 v nariadení REACH

Európske nariadenie (EÚ) č. 1907/2006 o registrácii, hodnotení, autorizácii a obmedzovaní chemických látok (REACH) definuje, okrem iného, požiadavky súvisiace s komunikáciou v dodávateľskom reťazci. Požiadavka na informácie sa vzťahuje aj na výrobky obsahujúce tzv. látky vzbudzujúce veľmi veľké obavy („zoznam kandidátskych látok“) 27. júna 2018 bolo do zoznamu kandidátskych látok pridané kovové olovo (č. CAS 7439-92-1).

V súlade s vyššie uvedeným vás to má informovať, že určité elektrické komponenty vo výrobku môžu obsahovať kovové olovo. Je to v zhode s aktuálnymi právnymi predpismi o obmedzovaní látok a na základe zákonných výnimiek v smernici RoHS (2011/65/EÚ). Počas normálneho používania nedôjde k úniku ani premene kovového olova z výrobku a koncentrácia kovového olova v celom výrobku je značne pod príslušnou prahovou hodnotou. Pri likvidácii olova na konci životnosti výrobku zohľadnite, prosím, miestne požiadavky.

## Bezpečnosť

NEVYHADZUJE – ODOVZDAJTE POUŽÍVATEĽOVI

- VAROVANIE** Prečítajte si všetky bezpečnostné varovania, pokyny, obrázky a špecifikácie poskytnuté s týmto elektrickým nástrojom.

Nedodržanie všetkých dole uvedených pokynov môže mať za následok zásah elektrickým prúdom, požiar a/alebo vážne poranenie.

Všetky varovania a pokyny si odložte pre budúce nahliadnutie.

- VAROVANIE** Všetky lokálne legislatívne bezpečnostné predpisy, ktoré sa týkajú inštalácie, prevádzky a údržby sa musia vždy dodržiavať.

### Účel použitia

- Iba pre profesionálne použitie.
- Tento výrobok a jeho príslušenstvo sa nesmie v žiadnom prípade prerábať.

- Tento výrobok nepoužívajte, ak bol poškodený.
- Ak údaje o výrobku alebo výstražné štítky upozorňujúce na nebezpečenstvo umiestnené na výrobku prestanú byť čitateľné alebo sa uvoľnia, bezodkladne ich nahraďte.
- Výrobok smie inštalovať, obsluhovať a servisovať iba kvalifikovaná osoba v priemyselnom prostredí.

## Určené použitie

Tento výrobok by mali používať iba dospelí, ktorí si prečítali pokyny a výstrahy uvedené v tomto návode a porozumeli im, a je možné ich považovať za zodpovedných za svoje konanie.

- Tento výrobok je určený na inštalovanie a odstraňovanie závitových upevňovacích prvkov do/z dreva, kovu alebo plastov.
- Nepoužívajte výrobok na žiaden účel, ktorý nie je uvedený vyššie.
- Len na použitie v interiéri.
- Iné použitie nepovolené.

Používajte len nasledujúce batérie a nabíjačky.

RC20BA20: 8951000467

RC20BA40: 8951000468

RC20BA60: 8951000469

Batérie sa smú nabíjať len nabíjačkami batérií Rodcraft.

RC20CHEU: 8951000470

RC20CHUK: 8951000471

Kompletné pokyny nájdete v Bezpečnostných informáciách nabíjačky batérie (tlačovina č. 8956002313).

## Všeobecné bezpečnostné varovania pre elektrické nástroje

- VAROVANIE** Prečítajte si všetky bezpečnostné varovania, pokyny, obrázky a špecifikácie poskytnuté s týmto výrobkom.

Nedodržanie všetkých dole uvedených pokynov môže mať za následok zásah elektrickým prúdom, požiar, vecné škody a/alebo vážne zranenie.

Všetky varovania a pokyny si odložte pre budúce nahliadnutie.

Termín „elektrický prístroj“ vo výstražných upozorneniach sa vzťahuje na elektricky poháňané (káblové) elektrické prístroje alebo elektrické prístroje poháňané na batérie (bezdrôtové).

### Bezpečnosť pracovnej oblasti

- Na pracovisku udržiavajte poriadok a dobre ho osvetlite. Preplnená a tmavá oblasť sú rizikovejšie.
- S elektrickými nástrojmi nemanipulujte vo výbušnej atmosfére, ako napr. v prítomnosti horľavých tekutín, plynov a prachu. Elektrické nástroje spôsobujú iskry, ktoré môžu zapáliť prach alebo výpary.
- Zabezpečte, aby boli deti a pozorovatelia v dostatočnej vzdialenosti od elektrického nástroja. Pri rozpätílení môžete stratiť kontrolu.

**Elektrická bezpečnosť**

- **Vyhňte sa telesnému kontaktu s uzemnenými plochami, ako sú potrubia, radiátory, sporáky a chladničky.** V prípade, že vaše telo je uzemnené, existuje zvýšené riziko úderu elektrickým prúdom.
- **Elektrický nástroj nevystavujte dažďu ani vlhkosti.** Preniknutie vody do elektrického nástroja zvyšuje riziko úrazu elektrickým prúdom.

**Osobná bezpečnosť**

- **Buďte neustále ostražití, dávajte pozor na to, čo robíte, a pri narábaní s elektrickým nástrojom používajte zdravý rozum.** Elektrický nástroj nepoužívajte, ak ste unavení alebo pod vplyvom drog, alkoholu či liekov. Chvilka nepozornosti počas prevádzky elektrických nástrojov môže mať za následok vážne zranenie.
- **Používajte osobné ochranné prostriedky.** Vždy používajte ochranu zraku. Ochranné prostriedky ako napr. maska proti prachu, protišmyková obuv, prilba alebo ochrana sluchu použité vo vhodných podmienkach znížia riziko osobných zranení.
- **Zabráňte neúmyselnému zapnutiu.** Pred zapojením spotrebiča do zdroja napájania a/alebo batérií, zdvihnutím alebo prenosom nástroja skontrolujte, či je vypínač v polohe Vypnuté. Prenášanie elektrických nástrojov s prstom na vypínači alebo napájanie elektrických nástrojov, keď majú vypínač v polohe Zapnutý, môže spôsobiť nehody.
- **Pred zapnutím elektrického nástroja odstráňte prípadný nastavovací alebo uťahovací kľúč.** V opačnom prípade môžu tieto kľúče, ak sú pripojené k rotujúcej časti elektrického nástroja, spôsobiť zranenie.
- **Nenaťahujte sa.** Udržujte stabilný postoj a rovnováhu počas celej doby narábania s nástrojom. To vám umožní lepšie ovládanie elektrického nástroja v neočakávaných situáciách.
- **Vhodne sa oblečte.** Nenoste voľné oblečenie ani šperky. Vlasy a odev udržiavajte v bezpečnej vzdialenosti od pohyblivých častí. Voľné oblečenie, šperky alebo dlhé vlasy sa môžu zachytiť do pohyblivých častí.
- **V prípade, že sú k dispozícii zariadenia na odsávanie prachu a iné zberné zariadenia, skontrolujte, či sú správne pripojené a používané.** Použitie odsávača prachu môže znížiť riziká spojené s prachom.
- **Vedomosti získané z častého používania nástrojov neznamenajú, že sa môžete uspokojiť a ignorovať bezpečnostné princípy nástrojov.** Nedbanlivá činnosť môže spôsobiť vážne zranenie v zlomku sekundy.
- **Nástroj chytíte za izolované povrchy uchopenia pri operáciách, kedy by mohlo dôjsť k dotyku so skrytú kabelážou.** Kontakt uťahovačov s elektr. vedením, ktoré je pod napätím, môže dostať pod napätie aj nechránené kovové súčiastky elektr. nástroja a spôsobiť zásah elektrickým prúdom.

**Používanie a starostlivosť o elektrické nástroje**

- **Elektrický nástroj nepreťažujte.** Použite elektrický nástroj vhodný na daný účel. Správny elektrický nástroj vykoná danú prácu lepšie a bezpečnejšie spôsobom, na ktorý bol navrhnutý.

- **Elektrický nástroj nepoužívajte, ak nefunguje správne vypínač.** Akýkoľvek nástroj, ktorý nemožno ovládať vypínačom, je nebezpečný a treba ho opraviť.
- **Pred vykovaním akýchkoľvek nastavení, zmien príslušenstva alebo pred skladovaním elektrických nástrojov odpojte zástrčku zo zdroja napájania a/alebo odpojte batérie, ak sú odnímateľné.** Každé preventívne bezpečnostné opatrenie znižuje riziko náhodného spustenia nástroja.
- **Nástroje s jalovým výkonom uskladnite mimo dosahu detí a nedovoľte osobám, ktoré nie sú oboznámené s týmito nástrojmi alebo s týmito pokynmi, aby ich používali.** Elektrické nástroje sú nebezpečné v rukách neškolených osôb.
- **Údržba elektrických nástrojov Skontrolujte, či nedošlo k vyoseniu pohyblivých častí alebo ich spojeniu s materiálom vplyvom trenia, ich zlomeniu alebo iným okolnostiam, ktoré môžu ovplyvniť prevádzku elektrického nástroja. Ak je nástroj poškodený, pred použitím ho dajte opraviť.** Mnohé nehody sú spôsobené použitím zle udržiavaných elektrických nástrojov.
- **Rezné nástroje udržiavajte ostré a čisté.** Správne udržiavané rezné nástroje s ostrými reznými hranami sú menej náchylné na zachytenie materiálu vplyvom trenia a ľahšie sa ovládajú.
- **Elektrický nástroj, príslušenstvo a nadstavce atď. používajte v súlade s týmito pokynmi, pričom treba vziať do úvahy pracovné podmienky a vykonávanú prácu.** Použitie elektrického nástroja na iné operácie, než na ktoré je určený, by mohlo spôsobiť vznik nebezpečnej situácie.
- **Rukoväte a úchopné povrchy udržiavajte suché, čisté a bez oleja a mastnoty.** Šmyklivé rukoväte a úchopné povrchy neumožňujú bezpečnú manipuláciu a ovládanie nástroja v nečakaných situáciách.

**Používanie a ošetrovanie akumulátorového nástroja**

- **Dobíjanie vykonajte iba s nabíjačkou špecifikovanou výrobcom.** Nabíjačka vhodná pre jeden druh batérií môže spôsobiť nebezpečenstvo pri použití s iným druhom batérií.
- **Elektrické nástroje používajte iba so špeciálne určenými batériami.** Používanie akýchkoľvek iných batérií môže spôsobiť riziko poranenia alebo požiaru.
- **Keď sa batérie nepoužívajú, uschovajte ich v dostatočnej vzdialenosti od kovových predmetov, ako napr. sponiek na papier, mincí, kľúčov, klincov, skrutiek a iných malých kovových predmetov, ktoré dokážu vytvoriť prepojenie z jedného pólu na druhý.** Skrátovanie pólov batérie môže spôsobiť popáleniny alebo požiar.
- **V nevhodných podmienkach môže z batérie uniknúť tekutina, vyhňte sa kontaktu.** V prípade kontaktu s tekutinou opláchnite dané miesto vodou. V prípade zasiahnutia očí vyhl'adajte lekársku pomoc. Tekutina vyliata z batérie môže spôsobiť podráždenia alebo popáleniny.
- **Nepoužívajte batérie ani nástroje, ktoré sú poškodené alebo upravené.** Poškodené alebo upravené batérie môžu vykazovať neočakávané správanie s následkom ohňa, výbuchu alebo rizika zranenia.

- **Nevystavujte batérie ani nástroj ohňu ani nadmerným teplotám.** Vystavenie ohňu alebo teploty nad 130 °C môže spôsobiť výbuch.
- **Postupujte podľa všetkých pokynov na nabíjanie a nenabíjajte batérie ani nástroj mimo teplotného rozsahu uvedeného v pokynoch.** Nesprávne nabíjanie alebo nabíjanie pri teplotách mimo určeného rozsahu môže poškodiť batériu a zvýšiť riziko požiaru.

#### Servis

- **Elektrický nástroj môže servisovať iba kvalifikovaný odborník za použitia identických náhradných dielov.** Zabezpečí sa tak zachovanie bezpečnosti elektrického nástroja.
- **Nikdy neservisujte poškodené batérie.** Servis batérií smú vykonávať iba výrobca alebo autorizované servisné strediská.

### Pokyny špecifické pre výrobcu

#### Prevádzka nástroja

1. Vybavte nástroj vhodnou nástrčkou.
2. Nastavte správny režim pomocou tlačidla nastavenia otáčok (2).
3. Vyberte správny smer pomocou tlačidla obrátenia chodu (8).
4. Umiestnite nástroj podľa bezpečnostných pokynov opísaných v tomto dokumente.
5. Stlačte a držte stlačenú spúšť spínača (7).
6. Držte spúšť stlačenú (7) až do ukončenia prevádzky.

#### **VAROVANIE Riziko poranenia**

Keďže sa reakčná sila zvyšuje v pomere k uťahovaciemu momentu, hrozí riziko vážneho fyzického poranenia operátora v dôsledku neočakávaného správania sa nástroja.

- ▶ Uistite sa, že nástroj je v bezchybnom prevádzkovom stave a že systém je správne naprogramovaný.

#### Akumulátor

Batérie, ktoré sa určitý čas nepoužívali, by sa pred použitím mali nabíť.

Teploty vyššie ako 50 °C (122 °F) znižujú výkon batérie. Vyhnite sa vystaveniu horúčave alebo slnečnému žiareniu (nebezpečenstvo prehriatia).

Kontakty nabíjačiek a batérií sa musia uchovávať čisté.

Na zabezpečenie optimálnej životnosti sa batérie po použití musia plne nabiť. Ak chcete zabezpečiť čo najdlhšiu životnosť batérie, po plnom nabití ju vyberte z nabíjačky.

Batérie obsahujú ochranu pred preťažením, ktorá ich chráni pred preťažením a pomáha im udržať si dlhú životnosť. Pri nadmernom zaťažení elektronika batérií automaticky produkt vypne. Na opätovné zapnutie vypnite produkt a znova ho zapnite. Ak sa produkt znova nezapne, batérie môžu byť úplne vybité. V takomto prípade sa musia nabíť v nabíjačke batérií.

#### Pokyny pre údržbu

- **Pre bezpečnú manipuláciu a likvidáciu všetkých komponentov dodržiavajte environmentálne nariadenia danej krajiny.**

- Údržbu a opravy musí vykonávať kvalifikovaný personál používajúci iba originálne náhradné diely. Ak potrebujete poradenstvo o technických službách alebo náhradné diely, obráťte sa na výrobcu alebo na najbližšieho autorizovaného predajcu.
- Vždy zabezpečte, aby bol stroj odpojený od zdroja energie, aby sa predišlo náhodnej prevádzke.
- Ak sa nástroj používa každý deň, demontujte a skontrolujte ho každé 3 mesiace. Vymeňte poškodené alebo opotrebované diely.
- Nikdy neumožnite, aby sa brzdové kvapaliny, benzín, ropné produkty, penetračné oleje atď. dostali do kontaktu s plastovými časťami. Chemikálie môžu poškodiť, oslabiť alebo zničiť plasty, čo môže spôsobiť vážne zranenia osôb.
- Pri čistení plastových častí nepoužívajte rozpúšťadlá. Väčšina plastov je náchylná na poškodenie rôznymi typy komerčných rozpúšťadiel a pri ich používaní sa môžu poškodiť. Na odstránenie nečistôt, prachu, oleja, mastnoty atď. používajte čistú látku.

#### Likvidácia

- Likvidácia tohto zariadenia sa musí vykonať podľa legislatívy príslušnej krajiny.
- Všetky poškodené, silno opotrebované alebo nesprávne fungujúce zariadenia **SA MUSIA VYRADIŤ Z PREVÁDZKY**.
- Opravy smie vykonávať iba personál technickej údržby.

#### **Dodatočné bezpečnostné pokyny pre skrutkovače a kľúče**

##### Nebezpečenstvá zamotania

- **Uchovávajte mimo otočného pohonu.** V prípade, že sa nezachová dostatočná vzdialenosť medzi voľným oblečením, rukavicami, šperkmi, náhrdelníkmi, vlasmi a nástrojom a jeho príslušenstvom, môže dôjsť k duseniu, skalpovaniu alebo tržným ranám.
- **Nenoste voľné rukavice ani rukavice s otvormi na prsty ani rozstrapatené rukavice.** Rukavice sa môžu zachytiť do otočného pohonu, čo môže spôsobiť odrezanie alebo zlomenie prstov.
- **Do násad a nastavcov otočného pohonu sa poľahky môžu zachytiť rukavice s gumeným povrchom alebo kovovými výstuhami.**
- **Nikdy nechytajte pohon, zásuvku ani nastavtec pohonu.**

##### Nebezpečenstvá pri prevádzke

- **Pracovníci obsluhy a údržby musia byť fyzicky schopní objemný, ťažký a mohutný nástroj manipulovať.**
- **Nástroj držte správne: buďte pripravení reagovať na normálne alebo náhle pohyby.** Majte k dispozícii obidve ruky.
- **Ihneď po nastavení spojky skontrolujte správnosť operácie.**



- **Nepoužívajte v opotrebovanom stave.** Spojka by nemusela pracovať a výsledkom by bola náhla rotácia držadla nástroja.
- **Držadlo nástroja vždy bezpečne podoprite v opačnom smere proti otáčaniu vretena, aby sa znížil účinok náhlej momentovej reakcie v koncovej fáze zatiahnutia a počiatočnej fáze povolovania.**
- **Ak je to možné, použite rameno nápravy na absorbovanie záťažného momentu. Ak to nie je možné, odporúčame bočné rukoväte pre zapuzdrené nástroje a nástroje s pištoľovou rukoväťou; pre uhlové uťahovacie kľúče odporúčame reakčné tyče.** V každom prípade odporúčame použiť pomôcku na absorbovanie reakčného krútiaceho momentu nad 4 Nm (3 lbf.ft) u zapuzdrených nástrojov, nad 10 Nm (7,5 lbf.ft) u nástrojov s pištoľovou rukoväťou, a nad 60 Nm (44 lbf.ft) u uhlových uťahovacích kľúčov.

#### Nebezpečenstvo odletujúcich častí

- **Pri prevádzke, oprave alebo údržbe nástroja alebo v ich blízkosti alebo pri výmene príslušenstva nástroja vždy používajte ochranu očí a tváre odolnú voči nárazom.**
- **Uistite sa, či všetci v pracovnom priestore majú nasadené nárazuvzdorné chrániče očí a tváre.** I malé odskakujúce častice môžu zraniť oči a spôsobiť stratu zraku.
- **Montážne operácie so špecifickým momentom utiahnutia musia byť skontrolované meračom momentu.** Tzv. „cvakacie“ momentové kľúče nekontrolujú potenciálne nebezpečné podmienky prílišného utiahnutia. Príliš alebo málo utiahnuté skrutky a matice, ktoré sa môžu zlomiť alebo uvoľniť a následne odskočiť, môžu spôsobiť vážne poranenia. Uvoľnené príslušenstvo môže byť vymrštené.
- **Nepoužívajte ručné nástrčky.** Používajte iba mechanické alebo nástrčkové kľúče v dobrom stave.
- **Tento nástroj a jeho príslušenstvo sa nesmie upravovať.**

#### Nebezpečenstvá z opakovaných pohybov

- **Pri používaní elektrického nástroja za účelom vykonania pracovných úloh môže operátor pocítiť nepohodlie v rukách, ramenách, pleciach, krku alebo iných častiach tela.**
- **Zaujmite pohodlné držanie tela a zároveň si zachovajte bezpečný postoj, aby ste sa vyhli neprirodzeným alebo nerovnovážnym polohám.** Zmena postoja počas dlho trvajúcich prác môže pomôcť predísť nepohodliu a únave.
- **Neignorujte symptómy ako trvalé alebo opakujúce sa nepohodlie, bolesť, búšenie, bodavú bolesť, trpnutie, necitlivosť, pálenie alebo stuhnutie.** Prestaňte používať nástroj, informujte vášho zamestnávateľa a vyhľadajte lekára.

#### Nebezpečenstvá na pracovisku

- **Pošmyknutie/zakopnutie/pád sú významnou príčinou vážneho zranenia alebo smrti.** Preplnená pracovná oblasť a neporiadok na pracovnom stole zvyšujú riziko zranení.

- **Nepoužívajte nástroj v stiesnenom priestore:** Dajte pozor, aby nedošlo k stlačeniu alebo rozdrveniu ruky, ak by sa dostala medzi nástroj a dielec, najmä pri povolovaní skrutiek.
- **Vysoké zvukové hladiny môžu spôsobiť trvalú stratu sluchu.** Používajte ochranu sluchu odporúčanú zamestnávateľom alebo predpismi týkajúcimi sa zdravia a bezpečnosti na pracovisku.
- **Skontrolujte, či je obrobok bezpečne upnutý.**
- **Opakované pracovné pohyby, nevhodná poloha a vystavenie vibráciám môže mať škodlivý vplyv na paže a ruky.** Ak dôjde k znečítlivaniu, trpnutiu, bolesti alebo zblednutiu kože, prestaňte s nástrojom pracovať a vyhľadajte lekára.
- **V neznámom prostredí postupujte opatrne.** Majte na mysli možné nebezpečenstvá vyplývajúce z vašej pracovnej činnosti. Tento nástroj nie je izolovaný proti kontaktu so zdrojmi elektriny.

#### Značky a nálepky

Tento výrobok je vybavený značeniami a nálepkami, ktoré obsahujú dôležité informácie o osobnej bezpečnosti a údržbe výrobku. Značenia a nálepky musia byť vždy ľahko čitateľné. Nové značenia a nálepky môžete objednať pomocou zoznamu náhradných dielov.



s011050

#### Symbols



Pred začatím akejkoľvek práce so strojom vyberte akumulátor.



Pred zapnutím stroja si pozorne prečítajte návod.



Elektrické nástroje nelikvidujte spolu s domovým odpadom. Elektrické nástroje a elektronické zariadenia, ktoré dosiahli koniec svojej životnosti, sa musia zbierať samostatne a likvidovať v ekologickom recyklačnom zariadení. Informácie o recyklácii a zbernom mieste získate od miestneho orgánu alebo predajcu.



Pri používaní stroja vždy noste ochranné okuliare.

 $n_0$ 

Otáčky naprázdno.

V

Volty

 $\text{min}^{-1}$ 

za minútu



Jednosmerný prúd



UPOZORNENIE! VAROVANIE!  
NEBEZPEČENSTVO!

#### Užitočné informácie

##### Krajina pôvodu

People's Republic of China

## Webová stránka

Informácie ohľadne našich výrobkov, príslušenstva, náhradných dielov a zverejnených materiálov nájdete na webovej stránke Rodcraft.

Navštívte, prosím: [www.rodcraft.com](http://www.rodcraft.com).

## Karta bezpečnostných údajov

Karty bezpečnostných údajov popisujú chemické výrobky predávané spoločnosťou Rodcraft.

Pre viac informácií navštívte webovú stránku spoločnosti Rodcraft [qr.cp.com/sds](http://qr.cp.com/sds).

## Copyright

© Copyright 2023, Desoutter GmbH, Edmund-Seng-Str. 3-5, 63477 Maintal, Germany

Všetky práva vyhradené. Akékoľvek neautorizované použitie alebo kopírovanie obsahu alebo jeho časti je zakázané. Týka sa to predovšetkým obchodných značiek, označení modelov, čísiel dielov a výkresov. Používajte iba autorizované diely. Na akékoľvek škody alebo zlyhania spôsobené používaním neautorizovaných dielov sa nevzťahuje záruka ani ručenie za výrobok.

## Technické údaje

### Popis produktu

Viz *Schema 2*.

1	Mäkká rukojeť
2	Tlačítko regulácie otáčok
3	Bateriový zdroj
4	Tlačítko bateriového zdroje
5	Pracovní lampa
6	Kontrolka nastavení otáčok
7	Spouštěč spínače
8	Tlačítko zpětného chodu
9	Výstupní čtyřhran
10	Hliníkový kryt

## Prohlášení

### Prohlášení o shodě s předpisy EU

My, společnost **Desoutter GmbH**, Edmund-Seng-Str. 3-5, 63477 Maintal, Germany, na vlastní odpovědnost prohlašujeme, že produkt (s názvem, typem a sériovým číslem, viz přední stranu) splňuje požadavky těchto směrnic:

2006/42/EC; 2011/65/EU; 2014/30/EU

Použité harmonizované normy:

EN 62841-1:2015/A11:2022; EN 62841-2-2:2014; EN IEC 55014-1:2021; EN IEC 55014-2:2021; EN 62233:2008



Úřady si mohou vyžádat příslušné technické informace od:

Pascal Roussy, R&D Manager, Ets Georges Renault, 38 rue Bobby Sands, BP10273 44818 Saint Herblain, France

Saint-Herblain, 2023/08/28

Pascal ROUSSY

Podpis

## Prohlášení o hluku a vibracích

Popis	RC9067	RC9077	RC9087
Akustický tlak (K=3) (dB(A))	92,3	88,4	88,4
Akustický výkon (K=3) (dB(A))	100,3	96,4	96,4
Vibrace (K=1,5) (m/s <sup>2</sup> )	5,45	8,15	8,15

Hodnoty akustického tlaku, akustického výkonu a vibrací odpovídají normě EN 62841-2-2:2014 + AC:2015.

Tyto deklarované hodnoty byly zjištěny laboratorní typovou zkouškou v souladu s uvedenými normami a jsou vhodné k porovnání s deklarovanými hodnotami jiných nástrojů testovaných v souladu s těmi stejnými normami. Tuto hodnotu emisí vibrací lze použít pro předběžné posouzení expozice. Tyto deklarované hodnoty nejsou vhodné k použití při posuzování rizik a hodnoty naměřené na jednotlivých pracovištích mohou být vyšší. Skutečné hodnoty expozice a riziko poškození, kterým jsou vystaveni jednotliví uživatelé, jsou jedinečné a závisí na způsobu práce uživatele, na obrobku a na plánu pracovní stanice, na době expozice a fyzickém stavu uživatele.

My, společnost **Desoutter GmbH**, neponeseme žádnou odpovědnost za důsledky použití deklarovaných hodnot místo hodnot odrážejících skutečnou expozici, při individuálním hodnocení rizik v konkrétní situaci na pracovišti, kterou nemůžeme nijak ovlivnit.

Tento nástroj, pokud není přiměřeným způsobem používán, může způsobovat vibrační syndrom ruky a paže. Pokyny EU týkající se zvládnutí vibrací ruky a paže naleznete na webové stránce <http://www.pneurop.eu/index.php>, kde zvolte možnost „Tools“ (Nástroje) a poté „Legislation“ (Legislativa).

Doporučujeme program zdravotního dohledu umožňující včasné odhalení symptomů, které mohou souviset se zatížením vibracemi, aby bylo možné upravit řídicí procesy s cílem předcházení budoucím újmám.

- i** Pokud je toto zařízení určeno pro vestavěné aplikace: Hlukové emise jsou uvedeny jako vodítko pro výrobce stroje. Údaje o hlukových a vibračních emisích pro celý stroj musí být uvedeny v návodu k použití stroje.

## Oblastní požadavky

### ⚠ VÝSTRAHA

U tohoto výrobku můžete být vystaveni působení chemických látek včetně olova, což je ve státě Kalifornia faktor způsobující rakovinu, poškození plodu nebo jiné reprodukční poškození. Více informací je k dispozici na stránce

<https://www.p65warnings.ca.gov/>

## Informace ohledně článku 33 nařízení REACH

Nařízení Evropského parlamentu a Rady (ES) č. 1907/2006 o registraci, hodnocení, povolování a omezování chemických látek (REACH) kromě dalších záležitostí definuje požadavky vztahující se ke komunikaci v rámci dodavatelského řetězce. Požadavek na informace platí i pro produkty obsahující tzv. látky vzbuzující mimořádné obavy („Seznam kandidátů“). Dne 27. Června 2018 bylo na seznam kandidátů zařazeno olovo (č. CAS 7439-92-1).

V souladu s výše uvedeným vás tímto informujeme, že určité elektrické součásti produktu mohou obsahovat olovo. To je v souladu s aktuální legislativou o omezení látek a na základě platných výjimek ve Směrnici o omezení používání některých nebezpečných látek v elektrických a elektronických zařízeních (2011/65/EU) známé i pod zkratkou RoHS. Olovo nebude během běžného používání z produktu unikat ani v něm mutovat a celková koncentrace olova v produktu je výrazně pod platnou prahovou mezí. Zkontrolujte místní požadavky ohledně likvidace olova na konci životnosti produktu.

## Bezpečnost

NEVYHAZUJTE – PŘEDEJTE UŽIVATELI

### ⚠ VÝSTRAHA Přečtěte si všechny bezpečnostní výstrahy, pokyny, ilustrace a specifikace dodané s tímto elektrickým nástrojem.

Nedodržení veškerých níže uvedených pokynů může mít za následek úraz elektrickým proudem, požár a/nebo vážný úraz.

**Uchovejte všechny texty varování a pokynů i pro budoucí potřebu.**

### ⚠ VÝSTRAHA Vždy dodržujte všechna zákonná bezpečnostní pravidla týkající se instalace, provozu a údržby produktu.

## Prohlášení o použití

- Pouze pro profesionální použití.
- Tento nástroj a jeho příslušenství je zakázáno jakýmkoliv způsobem upravovat.
- Nepoužívejte tento produkt, pokud je poškozen.
- Pokud na produktu nejsou čitelné štítky s údaji o produktu či výstražné štítky, nebo pokud dojde k jejich oddělení od produktu, bez prodlení je nahraďte novými.

- Tento produkt smí instalovat, používat či provádět jeho servis pouze kvalifikované osoby v průmyslovém montážním prostředí.

## Předpokládané použití

Produkt je určen k použití pouze dospělými osobami, které četly a porozuměly pokynům a výstrahám uvedeným v této příručce a které můžeme považovat za osoby odpovědné za své konání.

- Tento produkt je zkonstruován pro montáž upevňovacích prvků do dřeva, kovu nebo plastu a pro jejich demontáž z těchto materiálů.
- Nepoužívejte tento produkt k žádným jiným účelům než k těm, které jsou popsány výše.
- Pouze pro použití v interiéru.
- Jiné použití není povoleno.

Používejte výhradně následující bateriové zdroje a nabíječky.

RC20BA20: 8951000467

RC20BA40: 8951000468

RC20BA60: 8951000469

Bateriové zdroje se musejí nabíjet výhradně pomocí nabíječek Rodcraft.

RC20CHEU: 8951000470

RC20CHUK: 8951000471

Úplné pokyny naleznete v Bezpečnostních pokynech k nabíječce bateriových zdrojů (číslo tiskoviny 8956002313).

## Obecná bezpečnostní varování týkající se elektrických nástrojů

### ⚠ VÝSTRAHA Přečtěte si všechny bezpečnostní výstrahy, pokyny, ilustrace a specifikace dodané s tímto produktem.

Nedodržení veškerých níže uvedených pokynů může mít za následek úraz elektrickým proudem, požár, poškození majetku nebo vážný úraz.

**Uchovejte veškeré texty varování a pokynů i pro budoucí potřebu.**

Pojem „elektrický nástroj“ ve výstrahách znamená elektrický nástroj napájený ze sítě (s napájecí šňůrou), nebo elektrický nástroj napájený akumulátorem (bezšňůrový).

### Bezpečnost pracoviště

- **Udržujte pracoviště uklizené a dobře osvětlené.** Místa kde je nepořádek a tma přivolávají nehody.
- **S elektrickými nástroji nepracujte ve výbušném prostředí, jako je přítomnost hořlavých kapalin, plynů nebo prachu.** Elektrické nářadí vytváří jiskry, které mohou prach nebo výpary zažehnout.
- **Dbejte na to, aby při práci s elektrickými nástroji nebyly v blízkosti náhodné osoby a děti.** Vyrušení může způsobit ztrátu ovládnání.

**Elektrická bezpečnost**

- Vyvarujte se tělesnému kontaktu s uzemněnými povrchy, jako jsou potrubí, radiátory, sporáky a chladničky. Je-li vaše tělo uzemněné, existuje zvýšené riziko úrazu elektrickým proudem.
- Nevystavujte elektrické nástroje působení deště nebo mokrého prostředí. Vniknutí vody do elektrického nástroje zvyšuje riziko úrazu elektrickým proudem.

**Osobní bezpečnost**

- **Bud'te neustále ostražití, dávejte pozor na to, co děláte, a při práci s elektrickým nástrojem používejte zdravý rozum. Elektrický nástroj nepoužívejte, pokud jste unavení anebo pod vlivem drog, alkoholu či léků.** Chvilková nepozornost při používání elektrických nástrojů může způsobit vážné zranění.
- **Používejte osobní ochranné prostředky. Vždy používejte ochranu zraku.** Ochranné prostředky, jako je například protiprachová maska, protiskluzová bezpečnostní obuv, ochranná přilba nebo ochrana sluchu, použité v příslušných podmínkách, snižují riziko osobních úrazů.
- **Zabraňte náhodnému spuštění. Před připojením nástroje ke zdroji energie anebo připojením bateriového zdroje k nástroji, před zvedáním nebo přenášením nástroje se ujistěte, zda je spínač v poloze „vypnuto“.** Přenášení elektrických nástrojů s prstem na spínači nebo jejich připojování ke zdroji energie se zapnutým spínačem je častou příčinou nehod.
- **Před zapnutím elektrického nástroje vyjměte nastavovací přípravek nebo klíč.** Klíč nebo přípravek, který zůstane nasazen na rotující části elektrického nástroje, může způsobit zranění.
- **Nikdy se s nástrojem příliš nenaklánějte. Po celou dobu práce s nástrojem udržujte stabilní postoj a rovnováhu.** To umožňuje lepší kontrolu nad elektrickým nástrojem v neočekávaných situacích.
- **Noste vhodný oděv. Nenoste volný oděv a šperky. Dbejte na to, aby oděv a vlasy byly mimo pohyblivé části.** Volný oděv, šperky a dlouhé vlasy by mohly být pohyblivými částmi zachyceny.
- **Pokud je nástroj vybaven připojením k zařízení na odsávání a zachytávání prachu, ujistěte se, zda je toto zařízení připojeno a správně používáno.** Odsávání prachu může omezit rizika spojená s výskytem prachu.
- **Dbejte, abyste kvůli dobré znalosti nástroje při jeho častém používání nepodlehli pocitu sebeuspokojení a nepřestali dodržovat bezpečnostní principy používání nástroje.** Neopatrná manipulace může během zlomku sekundy způsobit vážné poranění.
- **Při provádění operací, při nichž by se řezný nástroj mohl dotknout skrytých vodičů, držte elektrický nástroj pouze na izolovaných površích určených k uchopení nástroje.** Při dotyku spojovacího prvku s vodičem "pod napětím" se mohou dostat "pod napětí" i kovové části elektrického nástroje a způsobit operátorovi úraz elektrickým proudem.

**Používání a údržba elektrického nástroje**

- **Elektrický nástroj nepřetěžujte. Pro vaši aplikaci používejte správný nástroj.** Správný elektrický nástroj udělá práci lépe a bezpečněji při rychlosti, k níž byl vytvořen.
- **Pokud spínač nástroj nezapne a nevypne, nástroj nepoužívejte.** Každý elektrický nástroj, který nelze ovládat spínačem, je nebezpečný a je nutné jej opravit.
- **Před prováděním jakýchkoliv nastavení elektrického nástroje, výměn jeho příslušenství nebo jeho uložení vždy odpojte zástrčku elektrického nástroje od zdroje energie a/nebo bateriový zdroj od elektrického nástroje.** Takové preventivní bezpečnostní opatření snižuje riziko náhodného spuštění elektrického nástroje.
- **Vypnutý elektrický nástroj ukládejte mimo dosah dětí a nedovolte, aby jej používaly osoby, které se s elektrickým nástrojem nebo těmito pokyny dobře neznámily.** Elektrické nástroje v rukách nepovolaných osob jsou nebezpečné.
- **Údržba elektrických nástrojů a doplňků. Zkontrolujte, zda elektrický nástroj není špatně nastavený, zda nedošlo k zaseknutí pohyblivých částí, poškození částí a vzniku jakéhokoliv jiného stavu, který by mohl ovlivnit práci s elektrickým nástrojem. Pokud je elektrický nástroj poškozený, před použitím jej opravte.** Mnoho nehod bylo způsobeno nedostatečnou údržbou elektrických nástrojů.
- **Řezné nástroje udržujte v ostrém a čistém stavu.** U řádně udržovaných řezných nástrojů s ostrými řeznými břity je menší pravděpodobnost zaseknutí se a snadněji se ovládají.
- **Používejte elektrický nástroj, jeho příslušenství a nástavce atd. v souladu s těmito pokyny a vezměte v úvahu také pracovní podmínky a práci, kterou budete provádět.** Použití elektrického nástroje k jiné činnosti, než je jeho zamýšlené použití, může vést ke vzniku nebezpečných situací.
- **Rukojeť a povrchy určené k uchopení vždy udržujte suché a čisté, bez oleje a maziva.** Kluzké rukojeti a povrchy určené k uchopení neumožňují bezpečnou manipulaci a ovládání nástroje v neočekávaných situacích.

**Použití baterií a péče o ně**

- **Dobíjení baterie provádějte pouze s nabíječkou specifikovanou výrobcem.** Nabíječka, která je vhodná pro jeden typ bateriového zdroje, může představovat riziko požáru, pokud bude použita s jiným bateriovým zdrojem.
- **Elektrické nástroje používejte pouze s bateriovými zdroji určenými konkrétně pro daný elektrický nástroj.** Použití jakýchkoli jiných bateriových zdrojů může vytvořit riziko vzniku úrazu nebo požáru.
- **Pokud není bateriový zdroj používán, uchovávejte jej odděleně od jiných kovových předmětů, jako jsou například kancelářské sponky, mince, klíče, hřebíky, šrouby nebo jiné malé kovové předměty, které by mohly způsobit vzájemné propojení kontaktů bateriového zdroje.** Vzájemné zkratování kontaktů baterie může způsobit popáleniny nebo požár.
- **Při nesprávném používání může z baterie vytéct kapalina; zabraňte jakémukoliv kontaktu s touto kapalinou. Pokud ke kontaktu přesto náhodně dojde,**

opláchněte postižené místo vodou. Při kontaktu kapaliny s okem kromě toho okamžitě vyhledejte lékařskou pomoc. Kapalina vyteká z baterie může způsobit podráždění nebo popáleniny.

- **Nepoužívejte bateriový zdroj ani nástroj, pokud by byly poškozené nebo upravené.** Poškozené nebo upravené baterie mohou vykazovat nepředvídatelné chování, jehož výsledkem může být požár, výbuch nebo riziko úrazu.
- **Bateriový zdroj ani nástroj nevystavujte ohni nebo příliš vysoké teplotě.** Vystavení ohni nebo teplotě nad 130 °C může způsobit explozi.
- **Postupujte podle pokynů pro nabíjení a sadu baterií ani nástroj nenabíjejte mimo teplotní rozmezí uvedené v pokynech.** Nesprávné nabíjení nebo nabíjení při teplotách mimo specifikovaný rozsah může poškodit baterii a způsobit riziko požáru.

#### Servis

- **Provádění servisních činností na vašem elektrickém nástroji svěřte výhradně kvalifikované osobě, která použije identické náhradní díly.** Pouze tak bude zaručeno stálé zajištění bezpečnosti elektrického nástroje.
- **Poškozené bateriové zdroje nikdy neopravujte.** Bateriové zdroje mohou opravovat pouze pracovníci výrobce nebo autorizovaných poskytovatelů servisních služeb.

### Pokyny specifické pro produkt

#### Práce s nástrojem

1. Připojte k nástroji vhodný nástavec.
2. Tlačítkem regulace otáček (2) nastavte správný režim.
3. S použitím tlačítka zpětného chodu (8) zvolte správný směr.
4. Nastavte polohu nástroje podle bezpečnostních pokynů popsanych v tomto dokumentu.
5. Stiskněte spouštěč spínače (7) a držte ho stisknutý.
6. Udržujte tlak na spouštěč (7) až do konce úkonu.

#### VÝSTRAHA Riziko zranění

Vzhledem k tomu, že úměrně k růstu utahovacího momentu roste i reakční síla, vzniká pro obsluhu riziko vážného úrazu v důsledku neočekávaného chování nástroje.

- ▶ Ujistěte se, že nástroj je v perfektním provozním stavu a že systém je správně naprogramován.

#### Baterie

Bateriové zdroje, které nebyly určitou dobu používány, by měly být před použitím nabité. Při teplotě nad 50 °C (122 °F) dochází ke snížení výkonu bateriového zdroje. Zabraňte delšímu vystavení nástroje působení tepla nebo slunečního svitu (riziko přehřátí). Kontaktní plochy nabíječky a bateriových zdrojů musí zůstat čisté.

Pro optimální životnost musí být bateriové zdroje po použití plně nabité. Abyste dosáhli co možná nejdelší životnosti baterie, odeberte bateriový zdroj z nabíječky, jakmile je plně nabitý.

Bateriový zdroj má ochranu proti přetížení, která jej chrání před přetěžováním a pomáhá dosáhnout dlouhé životnosti. Elektronika baterie ji při extrémní zátěži automaticky vypne. Abyste výrobek restartovali, tak jej vypněte a opětovně zapněte. Pokud ten výrobek opětovně nenastartuje, může být bateriový zdroj úplně vybitý. V takovém případě se musí znovu nabít v nabíječce baterií.

#### Pokyny týkající se údržby

- **Pro bezpečnou manipulaci a likvidaci všech částí dodržujte místní ekologické předpisy své země.**
- Údržba a opravy musí provádět kvalifikovaný pracovník, který smí používat pouze originální náhradní díly. Pokud potřebujete rady týkající se technických služeb nebo vyžadujete náhradní díly, kontaktujte výrobce nebo nejbližšího autorizovaného prodejce.
- Vždy se ujistěte, že je stroj odpojen od zdroje energie, aby nedošlo k náhodnému spuštění.
- Pokud se nástroj používá denně, každé 3 měsíce jej rozmontujte a zkontrolujte. Vadné nebo opotřebované díly vyměňte.
- Vždy dbejte na to, aby se brzdová kapalina, benzín, produkty na bázi nafty, penetrační oleje atd. dostaly do kontaktu s plastovými částmi. Chemikálie mohou poškodit, oslabit nebo zničit plast, což by mohlo vést k vážnému poranění osob.
- Při čištění plastových částí nepoužívejte rozpouštědla. Většina plastů je náchylných k poškození různými typy komerčních rozpouštědel a použití může způsobit poškození. K odstranění špíny, prachu, oleje, tuku atd. použijte čistý hadřík.

#### Likvidace

- Likvidace zařízení musí být prováděna v souladu s legislativou příslušné země.
- Veškerá poškozená, silně opotřebovaná nebo nesprávně fungující zařízení **MUSÍ BÝT VYŘAZENA Z PROVOZU.**
- Opravy smí provádět pouze pracovník technické údržby.

### Další bezpečnostní pravidla pro šroubováky a klíče

#### Nebezpečí namotání

- **Udržujte bezpečnou vzdálenost od otáčejících se částí.** Pokud nebudete udržovat volné části oděvu, rukavice, šátek nebo jiné oděvní součásti či ozdoby nošené na krku a vlasy v dostatečné vzdálenosti od nástroje a příslušenství, může dojít k jejich zachycení nástrojem, což vám může způsobit udušení, skalpování anebo tržné rány.
- **Nepoužívejte příliš volné rukavice ani rukavice s proříznutým nebo roztřepeným materiálem na prstech.** Může dojít k zachycení rukavic otáčejícími se částmi nástroje, což vám může způsobit vážná poranění nebo i zlámání prstů.
- **Otáčející se nástavce a prodloužení nástroje mohou snadno zachytit rukavice s pryžovým povlakem nebo s kovovým zesílením.**

- Nikdy se nepokoušejte držet otáčející se části nástroje, nástavce ani prodloužení nástroje.

#### Provozní rizika

- Osoby provádějící obsluhu a údržbu musí být fyzicky schopné manipulovat s objemným, těžkým a výkonným nástrojem.
- Nástroj držte správně: buďte připraveni reagovat na normální i neočekávané pohyby nástroje. Mějte vždy obě ruce volné.
- Ihned po nastavení spojky zkontrolujte její správnou činnost.
- Nepoužívejte ji v opotřebovaném stavu. Spojka nemusí fungovat, což může mít za následek neočekávané roztočení rukojeti nástroje.
- Vždy držte rukojeť nástroje pevně, ve směru proti pohybu otáčení vřetena, abyste omezili účinek neočekávaného reakčního krouticího momentu v závěru dotahování a při zahájení uvolňování.
- Je-li to možné, použijte závěsné rameno absorbující reakční moment. Pokud není možné použít závěsné rameno, je doporučeno v případě nástrojů s rovným pouzdrem či pistolovou rukojetí použít boční rukojeti; v případě úhlových utahováků je doporučeno použití reakčních tyčí. V každém případě je doporučeno použít prostředky schopné absorbovat reakční moment vyšší než 4 Nm (3 lbf.ft) u nástrojů s rovným pouzdrem, vyšší než 10 Nm (7,5 lbf.ft) u nástrojů s pistolovou rukojetí a vyšší než 60 Nm (44 lbf.ft) u úhlových utahováků.

#### Rizika odlétávajících předmětů

- Vždy používejte nárazuvzdorné ochranné brýle a obličejový kryt při práci s nástrojem a jeho opravě a údržbě či při výměně příslušenství, nebo pokud jsou tyto činnosti prováděny ve vaší blízkosti.
- Zajistěte, aby i všichni ostatní v pracovním prostoru měli nárazuvzdorné brýle a obličejové kryty. I malé odlétávající předměty mohou způsobit poranění očí a následnou slepotu.
- Montážní sestavy vyžadující konkrétní utahovací moment musí být zkontrolovány pomocí měřiče momentu. Tak zvané „západkové“ momentové klíče nejsou schopny zjistit potenciálně nebezpečné stavy přetažení. Přetažení či naopak nedotažení upevňovacích prvků, které se mohou rozlomit, uvolnit nebo oddělit, může mít za následek vznik vážného úrazu. Uvolněné montážní sestavy se mohou změnit na odlétávající předměty.
- Nepoužívejte ruční nástavce. Používejte pouze nástavce určené pro nástroj nebo rázové nástavce, a to vždy v dobrém stavu.
- Tento nástroj a jeho příslušenství je zakázáno jakýmkoliv způsobem upravovat.

#### Rizika spojená s opakovaným pohybem

- Při používání mechanických nástrojů k provádění pracovních činností může operátor pociťovat mírnou bolest v oblasti rukou, paží, ramen, krku nebo i v jiných částech těla.

- Při práci stůjte v pohodlné poloze a pevně na zemi a vyvarujte se jakýchkoliv nepříjemných či nejistých a nevyvážených poloh. Pravidelné změny polohy těla během delších pracovních činností mohou pomoci zabránit vzniku bolesti či nadměrné únavy.
- Nepodceňujte příznaky, jako je například trvalá nebo vracející se mírná či silnější bolest, pulzující bolest, brnění, necitlivost, palčivé pocity nebo ztuhlost. Přestaňte nástroj používat, informujte svého zaměstnavatele a poraďte se s lékařem.

#### Rizika na pracovišti

- Uklouznutí, zakopnutí nebo pád jsou hlavními příčinami vážných nebo i smrtelných úrazů. Nepořádek na pracovišti a pracovním stole je častou příčinou vzniku úrazu.
- Nepoužívejte nástroj v omezeném prostoru. Dbejte, aby nemohlo dojít k rozdrčení rukou mezi nástrojem a obrobkem, zejména při povolování spojů.
- Vysoké hladiny hluku mohou způsobit trvalou ztrátu sluchu. Používejte ochranu sluchu doporučenou vaším zaměstnavatelem nebo předepsanou podle předpisů týkajících se bezpečnosti a ochrany zdraví při práci.
- Dbejte na to, aby byl obrobek řádně upevněn.
- Opakované pracovní pohyby, nepřirozené polohy a působení vibrační mohou být pro ruce a paže škodlivé. Pokud se projeví strnulost, brnění, bolest nebo zbělání kůže, přestaňte nástroj používat a poraďte se s lékařem.
- V neznámém pracovním prostředí si počínejte opatrně. Dávejte pozor na potenciální rizika vznikající v důsledku vaší pracovní činnosti. Tento nástroj není izolován pro případ dotyku se zdroji elektrického proudu.

#### Označení a nálepky

Produkt je opatřen značkami a štítky s důležitými informacemi o osobní bezpečnosti a údržbě produktu. Tyto značky a štítky musí být neustále snadno čitelné. Nové značky a štítky je možné si objednat pomocí seznamu náhradních dílů.



s011050

#### Symboly



Dříve než začnete na stroji provádět jakékoliv práce, vyjměte sadu baterií.



Dříve než začnete se strojem pracovat, přečtěte si prosím pozorně pokyny.



Elektrické nástroje nikdy nelikvidujte společně s domácím odpadem. Elektrické nástroje a elektronické zařízení, které dospělo ke konci životnosti, musí být shromážděno samostatně a odevzdáno do recyklačního zařízení slučitelného s ochranou životního prostředí. Rady týkající se recyklace a míst pro odevzdání vám poskytnou místní úřady.



Při používání stroje vždy noste ochranné brýle.

$n_0$  Žádná zátěžová rychlost

V volty

$\text{min}^{-1}$  za minutu



Stejnosměrný proud



VAROVÁNÍ! VÝSTRAHA! NEBEZPEČÍ!

## Užitečné informace

### Země původu

People's Republic of China

### Webová stránka

Informace týkající se našich produktů, příslušenství, náhradních dílů a publikovaných dokumentů naleznete na webových stránkách společnosti Rodcraft.

Navštivte: [www.rodcraft.com](http://www.rodcraft.com).

### Bezpečnostní list

Bezpečnostní listy popisují chemické produkty, které prodává společnost Rodcraft.

Více informací získáte na webových stránkách společnosti Rodcraft na adrese [qr.cp.com/sds](http://qr.cp.com/sds).

### Copyright

© Copyright 2023, Desoutter GmbH, Edmund-Seng-Str. 3-5, 63477 Maintal, Germany

Všechna práva vyhrazena. Veškeré neschválené použití a kopírování obsahu nebo jeho částí je zakázáno. To platí zejména o obchodních známkách, označeních modelu, číslech součástí a výkresech. Používejte pouze schválené náhradní díly. Na škody nebo nesprávnou funkci, způsobené použitím neschválených náhradních dílů, se nevztahuje ani záruka, ani odpovědnost za produkt.

## Múszaki adatok

### A termék leírása

Lásd: *Schema 2*.

1	Puha markolat
2	Sebességállító gomb
3	Akkumulátor
4	Akkumulátor gombja
5	Munkalámpa
6	Sebességbeállító jelzőfénye
7	Indítókapcsoló
8	Írányváltó gomb
9	Szögletes behajtó
10	Alumínium burkolat

## Nyilatkozatok

### EU megfeleléségi nyilatkozat

Mi, az **Desoutter GmbH**, Edmund-Seng-Str. 3-5, 63477 Maintal, Germany, kizárólagos felelősségünk tudatában kijelentjük, hogy a termék (a típust és termékszámot lásd az első oldalon) megfelel a következő irányelv(ek)nek:

2006/42/EC; 2011/65/EU; 2014/30/EU

Alkalmazott harmonizált szabványok:

EN 62841-1:2015/A11:2022; EN 62841-2-2:2014; EN IEC 55014-1:2021; EN IEC 55014-2:2021; EN 62233:2008

A hatóságok kérhetik a vonatkozó műszaki információkat:

Pascal Roussy, R&D Manager, Ets Georges Renault, 38 rue Bobby Sands, BP10273 44818 Saint Herblain, France

Saint-Herblain, 2023/08/28

Pascal ROUSSY

Aláírás

### Nyilatkozat zaj- és rezgés kibocsátásról

Leírás	RC9067	RC9077	RC9087
Hangnyomás (K=3) (dB(A))	92,3	88,4	88,4
Hangteljesítmény (dB(A))	100,3	96,4	96,4
Rezgés (K=1,5) (m/s <sup>2</sup> )	5,45	8,15	8,15

A hangnyomás, a hangteljesítmény és a rezgés értékei megfelelnek az EN 62841-2-2:2014 + AC:2015 szabványnak.

Ezeket a meghatározott értékeket laboratóriumi vizsgálatnak vetettük alá a megfelelő szabványoknak megfelelően, és alkalmazásuk az egyéb szabványok szerint vizsgált egyéb szerzők megváltozott értékeinek összehasonlítására. A rezgés kibocsátási szint az expozíció előzetes értékeléséhez használható. Ezek a kijelentett értékek megfelelőek a kockázatértékelésekhez, és az egyes munkahelyeken mért értékek magasabbak lehetnek. A tényleges expozíciós értékek és az egyes felhasználók által elszenvedett károk kockázata egyedi, és függ a felhasználó munkájától, a munkadarabtól és a munkaállomás tervezésétől, valamint az expozíció időtartamától és a felhasználó fizikai állapotától.

A **Desoutter GmbH** nem vállal felelősséget a névleges értékek figyelembevételéért a valós kitérésért értékekkel szemben olyan egyedi munkahelyi szituációkra vonatkozóan, amelyeknek feltételeit nem áll módunkban befolyásolni.

Ez a szerszámgép – ha használatát nem megfelelően ütemezik – kéz-kar vibrációs (HAVS) szindrómát okozhat. A kéziszerzők által okozott rezgésre vonatkozó EU-s útmutató a <http://www.pneurop.eu/index.php> oldalon a „Tools” (Eszközök), majd a „Legislation” (Törvények) pont választásával érhető el.

Javasoljuk, hogy rendszeresen végeztesen egészségi állapotfelmérést az olyan korai tünetek felismerésére, amelyek kapcsolatban állhatnak a rezgési terheléssel, hogy az eljárásokat módosítani lehessen a helyzet további romlásának megakadályozására.

- i** A berendezést rögzítési eljárásokhoz terveztük: A megadott zajkibocsátási szint a gépgyártó tájékoztatására szolgál. A teljes gépberendezés zaj- és rezgés-kibocsátási adatait keresse a gép használati útmutatójában.

## Regionális követelmények

### **!** FIGYELEM

A termék különböző vegyi anyagoknak, például ólomnak való kitettséget okozhat, az ólmot pedig Kalifornia állam hatóságai a rákkeltő, születési rendellenességeket vagy más szaporodási ártalmakat okozó anyagok közé sorolták. További tudnivalóért lásd

<https://www.p65warnings.ca.gov/>

## Információ a REACH-rendelet 33. cikke kapcsán

A vegyi anyagok regisztrálásáról, értékeléséről, engedélyezéséről és korlátozásáról szóló 1907/2006/EK rendelet (REACH) többek között az ellátási láncban történő információközlésre vonatkozó követelményeket ír elő. Az információközlési követelmény többek között a különösen veszélyes anyagokat tartalmazó termékekre irányul (a „Jelöltlista”). 2018. június 27-én az ólom (CAS-szám: 7439-92-1) is felkerült a jelöltlistára.

A fentiekkel összhangban ezúton tájékoztatjuk Önt, hogy a termékben bizonyos elektronikus részegységek ólmot tartalmazhatnak. Ez megfelel az anyagok korlátozására vonatkozó jelenlegi jogszabályoknak, és az RoHS irányelv (2011/65/EU) jogszervi kivételein alapul. Az ólom normál használat folyamán nem szivárog és nem képződik a termékből, és az ólom koncentrációja a teljes termékben jóval a vonatkozó határérték alatt van. Kérjük, hogy a termék élettartamának végén vegye figyelembe az ólom ártalmatlanítására vonatkozó helyi előírásokat.

## Biztonság

NE DOBJA EL – ADJA ÁT A FELHASZNÁLÓNAK!

### **!** FIGYELEM Olvassa el a szerszámgépre vonatkozó összes biztonsági előírást, útmutatót, illusztrációt és műszaki adatokat.

Az alábbiakban felsorolt utasítások be nem tartása áramütést, tüzet és/vagy súlyos sérülést okozhat.

**Mentse el az összes figyelmeztetést és utasítást a későbbi hivatkozáshoz.**

### **!** FIGYELEM Minden körülmények között tartsa be a felszerelésekre, üzemeltetésre és karbantartásra vonatkozó, a törvény szerint érvényben lévő helyi biztonsági szabályokat.

## Használatra vonatkozó nyilatkozat

- Kizárólag professzionális felhasználásra.
- A terméket és tartozékait semmilyen módon nem szabad módosítani.
- Ne használja a terméket, ha sérült.

- Ha a termék adatai vagy az előírt sebességre vonatkozó vagy veszélyre figyelmeztető címkék a terméken nem olvashatók vagy leváltak, a lehető leghamarabb tegyen fel újakat.
- A termék üzembe helyezését, üzemeltetését és szervizelését kizárólag szakképzett személy végezheti ipari környezetben.

## Rendeltetésszerű használat

A terméket csak olyan felnőtt személyek használhatják, akik elolvasták és megértették a kézikönyv előírásait és figyelmeztetéseit, és felelősek tevékenységeikért.

- Ezt a terméket menetes csavarok fába, fémbe vagy műanyagba való beszereléséhez és eltávolításához tervezték.
- Ne használja a terméket a fenti leírástól eltérő célra.
- Kizárólag beltéri használatra.
- Más jellegű használata nem megengedett.

Kizárólag az alábbi akkumulátorokat és töltőket használja.

RC20BA20: 8951000467

RC20BA40: 8951000468

RC20BA60: 8951000469

Az akkumulátorok töltéséhez kizárólag a Rodcraft akkumulátortöltőket használja.

RC20CHEU: 8951000470

RC20CHUK: 8951000471

Teljes körű útmutatásért lásd az akkumulátortöltőre vonatkozó biztonsági információkat (8956002313 sz. nyomtatott anyag).

## Szerszámgépekre vonatkozó általános biztonsági figyelmeztetések

### **!** FIGYELEM Olvassa el a termékre vonatkozó összes biztonsági előírást, útmutatót, illusztrációt és műszaki adatokat.

Az alábbiakban felsorolt utasítások be nem tartása áramütést, tüzet anyagi kárt és/vagy súlyos sérülést okozhat.

**Olvassa el és a jövőben is tartsa be az összes figyelmeztetést és utasítást.**

A figyelmeztetéseken szereplő „szerszámgép” kifejezés a hálózati áramról működtetett (tápkábelrel rendelkező) vagy az akkumulátorral működtetett (tápkábel nélküli) szerszámgépekre vonatkozik.

### A munkaterület biztonsága

- **Tartsa tisztán a munkaterületet és biztosítson jó megvilágítást.** A telezsúfolt, vagy sötét helyek balesetveszélyesek lehetnek.
- **Ne működtesse a szerszámgépeket robbanékony környezetben és gyúlékony vegyi anyagok, -gázok vagy -por közelében.** A szerszámgépek működés közben szikrát képezhetnek, ami tüzet idézhet elő.



- **Gyermekeket és illetéktelen személyeket tartsa távol a működő szerszámgéptől.** Ha elvonják figyelmét, elveszítheti a szerszámgép fölötti uralmat.

#### Elektromos biztonság

- **Kerülje az érintkezést a testelt vagy földelt felületekkel, például a csövekkel, radiátorokkal, tűzhelyekkel és fagyasztókkal.** Az elektromos áramütés veszélye fokozottan magas, ha teste földelve van.
- **Ne tegye ki az elektromos szerszámgépeket esőnek vagy nedvességnek.** Ha a szerszámgépbe víz jut, megnövekedik az áramütés veszélye.

#### Személyes biztonság

- **Legyen fokozottan éber és hagyatkozzon józan eszére, amikor a szerszámgépet működteti. Ne használja a szerszámgépet, ha fáradt, és ha alkohol vagy gyógyszer hatása alatt van.** Egy pillanatnyi figyelmetlenség a működtetés közben súlyos személyi sérülést okozhat.
- **Használjon védőfelszerelést. Mindig viseljen védőszemüveget.** A maszkok, csúszásbiztos lábbelik, védősisakok és hallásvédelmi eszközök megfelelő körülmények közötti használata nagymértékben csökkenti a személyi sérülések kockázatát.
- **Ügyeljen, hogy a szerszámgép véletlenszerűen ne induljon. A kapcsolót állítsa kikapcsolt helyzetbe mielőtt a tápforráshoz és/vagy az akkumulátorhoz csatlakoztatná, vagy felemelné és hordozná a berendezést.** Ha a szerszámgép hordozása közben ujjai a kapcsolón vannak, vagy ha áram alá helyezi a szerszámgépet miközben a kapcsoló bekapcsolt helyzetben van, ez balesetet okozhat.
- **Távolítsa el minden szabályozócsavart vagy kulcsot, mielőtt a szerszámgépet bekapcsolná.** Ha a forgórészhez csatlakozó kulcsot vagy csavarkulcsot ott hagyja, ez személyes sérülést okozhat.
- **Ne nyúljon át fölötté. Mindig támassza meg biztonságosan lábait, és vigyázzon egyensúlyára.** Stabil testhelyzetben jobban kezelni tudja a szerszámgépet váratlan helyzetekben.
- **Viseljen megfelelő ruházatot. Ne viseljen ékszereket vagy bő ruházatot. Tartsa távol a haját és ruházatát a mozgó alkatrészekről.** A bő ruhák, ékszerek vagy hosszú haj beakadhat a mozgó részekbe.
- **Ha van por kivonás és begyűjtés végző eszköz, biztosítsa azok megfelelő csatlakoztatását és használatát.** A por begyűjtése csökkentheti a porhoz kapcsolódó veszélyeket.
- **A szerszámgépre vonatkozó biztonsági alapelvek betartására akkor is figyeljen oda, amikor már a hosszabb idejű használat miatt megszokássá vált azok működtetése, és otthonosan bántik velük.** Egy figyelmetlen mozdulat vagy művelet egyetlen másodperc töredéke alatt is súlyos személyi sérülést okozhat.
- **Az elektromos szerszámgépet a szigetelt markolófelületen fogja meg, amikor olyan munkát végez, ahol a kötőelem nem látható vezetékhez érhető.** Ha a szorító hozzáér egy áram alatt lévő vezetékhez, a szerszámgép áram alá kerülhet, és a gépkezelő áramütést szenvedhet.

#### A szerszámgép használata és karbantartása

- **Ne erőltesse túl a szerszámgépet. Használja a célnak megfelelő szerszámgépet.** A megfelelő szerszámgéppel jobban és biztonságosabban végezheti el a munkát.
- **Ne használja a szerszámgépet, ha a kapcsoló nem működik.** A meghibásodott kapcsolóval rendelkező szerszámgép használata veszélyes és azonnali javításra szorul.
- **A szerszámgép javítása, tartozékok cseréje vagy módosítása, illetve a gép tárolása előtt húzza ki a szerszám csatlakozóját az aljzathoz és/vagy vegye ki az akkumulátort, ha kivehető.** Ezekkel az óvintézkedésekkel megakadályozhatja a szerszámgép véletlen bekapcsolását.
- **Tárolja a nem használt szerszámgépeket a gyermekektől távol és ne engedje, hogy azt a használatát és az utasításokat nem ismerő személyek használhassák.** A szerszámgépek megfelelő képzetség nélküli használata veszélyes.
- **Szerszámok és tartozékok felszerelése Ellenőrizze a mozgó részek beállítását és rögzítését, a részek törésmentességét és minden olyan állapotot, amely befolyásolhatja a szerszám működését. Ha sérült, a szerszámot használat előtt javíttassa meg.** Számos balesetet a nem megfelelően karbantartott szerszámgépek okoznak.
- **Tartsa a vágóeszközöket élesen és tisztán.** A megfelelően karbantartott, élezett vágószerszám éle kevésbé hajlik el és pontosabban irányítható.
- **Használja a szerszámgépet, tartozékokat és szerszámhegyeket az útmutatásnak megfelelően, figyelembe véve a munkakörülményeket és az elvégzendő munkát.** A szerszámgépek nem rendeltetészerű munkára való használata veszélyes helyzetet eredményezhet.
- **Tartsa szárazon, tisztán és olajtól és zsírtól mentesen a fogantyúkat és markolatokat.** Csúszós fogantyúkkal és markolatokkal a szerszámgép nem tartható biztonságosan kézben és váratlan helyzetekben nehezebben kezelhető.

#### Az akkumulátoros eszköz használata és karbantartása

- **Az akkumulátort csak a gyártó által megadott töltővel töltsse.** Az egy bizonyos akkumulátorcsomag töltésére alkalmas töltő egy másik típusú akkumulátor töltésekor tüzet okozhat.
- **A szerszámgépet csak a megadott akkumulátorral használja.** Az előírástól eltérő akkumulátorok használata sérülés- és tűzveszélyes lehet.
- **Ha az elemeket nem használja, tartsa távol azokat fémtárgyaktól, papírkapcsoktól, érméktől, kulcsoktól, tűktől, csavaroktól és minden olyan kisebb vezető fémtárgytól, amely az elem pólusait összekapcsolhatja.** Ha az akkumulátor pólusait rövidre zárja, ez tűzveszélyes lehet.
- **Szélsőséges körülmények között az akkumulátorból folyadék folyhat ki; kerülje az akkumulátorral való érintkezést. Ha véletlenül hozzáér a folyadékhoz, bőséges vízzel azonnal mossa le. Ha a folyadék a szembe kerül, forduljon orvoshoz.** Az akkumulátorból szivárgó folyadék bőrirritációt vagy felületi égést okozhat.

- **Ne használja az akkumulátort vagy a szerszámot, ha sérült, vagy módosították.** A sérült vagy módosított akkumulátorok kiszámíthatatlan működése tűz- és robbanásveszéllyel járhat, vagy személyi sérülést okozhat.
- **Ne tegye ki az akkumulátort vagy a szerszámot tűznek és magas hőmérsékletnek.** A tűz és a 130 °C-nál magasabb hőmérséklet robbanást okozhat.
- **Tartsa be a töltésre vonatkozó utasításokat és ne töltse az akkumulátort vagy a szerszámot az utasításokban megadottól eltérő környezeti hőmérsékleten.** A nem megfelelő töltés, vagy a külső hőmérséklet figyelmen kívül hagyása az akkumulátor károsodását okozhatja és tűzveszéllyel járhat.

#### Szerviz

- **A szerszámgépet kizárólag szakképzett szerelő szervizelheti, eredeti cserealkatrészek használatával.** Ezáltal biztosítható a szerszámgép biztonságos használata.
- **Ne javítsa a sérült akkumulátort.** Az akkumulátor szervizelését kizárólag a hivatalos márkaszervíz vagy szak-szervíz végezheti.

### Termékspecifikus utasítások

#### A szerszámgép működtetése

1. A szerszámra helyezzen megfelelő dugókulcsot.
2. Állítsa be a megfelelő üzemmódot a sebességbeállító gombbal (2).
3. Válassza ki a megfelelő irányt az irányváltó gomb (8) segítségével.
4. Helyezze el a szerszámot a jelen dokumentumban leírt biztonsági utasításokat követve.
5. Nyomja meg és tartsa nyomva az indítókapcsolót (7).
6. Tartsa nyomva az indítókapcsolót (7) a művelet végéig.

#### FIGYELEM Sérülésveszély

Ahogy a reakcióerő a meghúzási nyomatékkal arányosan növekszik, a szerszám váratlan viselkedése súlyos sérülésveszélyt jelenthet a kezelőre nézve.

- ▶ Ügyeljen a szerszám kifogástalan működési állapotára és a rendszer megfelelő programozására.

#### Akkumulátor

A hosszabb ideig nem használt akkumulátorokat használat előtt cserélje ki.

Az 50 °C-ot (122 °F) meghaladó hőmérséklet csökkenti az akkumulátor teljesítményét. Ne tegye ki túlzott hőnek vagy napfénynek (túlmelegedés kockázata).

A töltők és az akkumulátorok érintkezőit tartsa tisztán.

Az optimális élettartam érdekében az akkumulátorokat használat után teljesen töltse fel. Az akkumulátor lehető leghosszabb élettartama érdekében távolítsa el az akkumulátort a töltőből, ha teljesen feltöltődött.

Az akkumulátor túltöltés elleni védelemmel rendelkezik, ami megvédi a túltöltéstől és meghosszabbítja az üzemélettartamot. Etrém hatásnak kitéve az akkumulátor elektronikája automatikusan lekapcsolja a terméket. Újraindításhoz kapcsolja

le a terméket, majd kapcsolja be újra. Ha a termék nem indul újra, az akkumulátor valószínűleg teljesen lemerült. Ebben az esetben töltse fel akkumulátor töltővel.

#### Karbantartási útmutató

- **Valamennyi alkotóelem esetében tartsa be az adott ország munkavédelmi és környezetvédelmi rendelkezéseit.**
- A karbantartási és javítási beavatkozást csak szakképzett személyek végezhetik eredeti cserealkatrésszel. Műszaki segítségért vagy cserealkatrész-igény esetén forduljon a gyártóhoz vagy a legközelebbi forgalmazóhoz.
- A véletlen bekapcsolás elkerülése érdekében mindig győződjön meg arról, hogy a gép le van választva az áramforrásról.
- Napi használat esetén 3 havonta szerelje szét és ellenőrizze a szerszámot. Cserélje ki a sérült vagy kopott alkatrészeket.
- Ne engedje, hogy a fékfolyadék, a benzin, a kőolaj alapú termékek, a behatoló olajok stb. érintkezzenek a műanyag részekkel. A vegyi anyagok károsíthatják, gyengíthetik vagy tönkretelhetik a műanyagot, ami súlyos személyi sérülést okozhat.
- Kerülje a műanyag alkatrészek tisztításakor oldószerek használatát. A legtöbb műanyag hajlamos a különböző típusú kereskedelmi oldószerek hatására történő károsodásra, és használatuk során károsodhatnak. A szennyeződés, por, olaj, zsír eltávolításához használjon tisztítórongyot.

#### Hulladékkénti elhelyezés

- A készülék hulladékba helyezését az adott ország törvényeinek megfelelően kell végezni.
- Minden sérült, elhasználdott vagy nem megfelelően működő eszközt **KI KELL VONNI A HASZNÁLATBÓL.**
- Kizárólag a műszaki karbantartók végezhetnek javítást.

#### Csavarhúzókra és csavarkulcsokra vonatkozó további biztonsági szabályok

##### Beakadási veszélyek

- **Tartsa be a forgó meghajtástól a védőtávolságot!** Laza ruházat, kesztyűk, ékszerek, nyaklánc vagy hajdísz viselése esetén fulladásveszély állhat be, vagy a szerszám becsípheti a hajat és a bőrt.
- **Ne viseljen bő vagy levágott ujjú kesztyűt.** A forgó részek becsíphetik a kesztyűket, ami az ujjak súlyos sérülését, akár törését is okozhatja.
- **A forgó fejek foglalata és a forgórész bővítmények könnyen becsíphetik a gumibevonatú vagy fém megerősítésű kesztyűket.**
- **Soha ne a fejet, a foglalatot vagy a bővítményt tartsa.**

##### Veszélyek működés közben

- **A kezelőnek és a karbantartónak képesnek kell lennie a szerszám kezelésére, tekintetbe véve annak méreteit, súlyát és teljesítményét.**

- **Tartsa a szerszámot megfelelően: készüljön fel a normál és hirtelen mozdulatok kezelésére.** Mindkét kezét tartsa szabadon.
- **A kuplungbeállítás után azonnal ellenőrizni kell, hogy jól működik-e.**
- **Ne használja kopott állapotban.** Előfordulhat, hogy a tengely meghibásodik és a szerszám markolata hirtelen elfordul.
- **A szerszám markolatát mindig erősen kell fogni, ellen tartva a forgórész forgási irányával ellenkező irányban, ezáltal csökkentve a végső meghúzás vagy a meglazítás hirtelen nyomatékreakciójának hatását.**
- **Ha lehetséges használjon egy felfüggesztő kart, hogy csökkentse a visszaható nyomatékot. Ha a felfüggesztő kar használata nem lehetséges, javasolt oldalsó markolatokat alkalmazni az egyenes házú és pisztolyfogantyús szerszámoknál; sarok-csavarbehajtó gépeknél visszahátas elleni rudak alkalmazandók.** Minden esetben javasolt alkalmazni valamilyen nyomatékcsökkentő módszert, ha a visszaható nyomaték egyenes házú szerszámoknál 4 Nm-nél (3 lbf.ft), pisztolyfogantyús szerszámoknál 10 Nm-nél (7.5 lbf.ft) vagy sarok-csavarbehajtó gépeknél 60 Nm-nél (44 lbf.ft) nagyobb.

#### Repülő darabok miatti veszély

- **Mindig viseljen ütészálló szem- és arcvédőt az eszköz használata közben, illetve a működő eszköz közelében, valamint javítás, karbantartás vagy alkatrészcsere közben.**
- **Ügyeljen, hogy az eszköz környezetében mindenki viseljen ütészálló szem- és arcvédőt.** Ügyeljen rá, hogy a közelben tartózkodók mindnyájan viseljenek ütészálló szem- és arcvédőt!
- **Az előírt nyomatékú csatlakozódarabok nyomatékát nyomaték mérővel kell ellenőrizni.** Az úgynevezett „kattanós” nyomaték kulcsokkal nem lehet megállapítani egy esetleges túlhúzást, ami veszélyes lehet. Az alulhúzott vagy túlhúzott kötőelemek súlyos sérülést okozhatnak, mivel törhetnek, kilazulhatnak és leválhatnak. A kilazult szerelvények nagy sebességgel lerepülhetnek.
- **Ne használjon kéziszerszámokhoz való foglalatokat.** Csak jó állapotú, szerszámgépekhez vagy ütőszer-számokhoz való foglalatokat szabad használni.
- **Ezt a szerszámot semmilyen módon sem szabad megváltoztatni.**

#### Ismétlődő mozgással kapcsolatos veszélyek

- **Amikor az elektromos szerszámgéppel végez munkát, a gépkezelő kényelmetlenséget érezhet karjában, kezén, vállain, nyakán, vagy teste egyéb részein.**
- **Munka közben lehetőleg kényelmes pozíciót vegyen fel, biztos lábtartással, elkerülve a kényelmetlen vagy nem egyensúlyban lévő testhelyzetet.** A hosszabb munkák közben változtasson testtartásán, mert így kevésbé fárad.
- **Ne hagyja figyelmen kívül a különböző tüneteket, például a visszatérő kényelmetlenség érzetet, fájdalmat, lüktető fájdalmat, sajgó fájdalmat, zsibbadást.** Ilyen tünetek esetén állítsa le a gépet, jelentse munkáltatójának és forduljon orvoshoz.

#### Munkavégzési óvintézkedések

- **A megrúszás, megbotlás és elesés a súlyos sérülés vagy halál fő oka.** A telezsúfolt munkafelület és munkapad balesetveszélyes lehet.
- **Nem használja szűk helyen.** Vigyázni kell a szerszám és a munkadarab közé kerülő kéz sérülésére, különösen kihajtás közben.
- **A nagy zajszint tartós halláskárosodást okozhat.** Használjon zajvédelmi eszközöket a munkáltató előírásai, illetve a munkaegészségügyi vagy munkabiztonsági előírások szerint.
- **Rögzítse biztonságosan a munkadarabot.**
- **Az ismétlődő mozdulatok, a célszerűtlen testhelyzetek és a vibráció káros lehet a kezekre és a karokra.** Hagyja abba a szerszám használatát és forduljon orvoshoz, ha zsibbadás, viszketés, fájdalom vagy a bőr elfehéredése lép fel!
- **Ismeretlen környezetben óvatosan mozogjon.** Legyen tudatában a munkavégzés során keletkező potenciális veszélyeknek! Ez a szerszám nem rendelkezik elektromos áramforrásokkal történő érintkezéshez elektromos szigeteléssel.

#### Jelek és matricák

A gép jelölésekkel és matricákkal van ellátva, melyek fontos információkat tartalmaznak a személyi biztonságra és a termék karbantartására vonatkozóan. A jelölések és matricák mindig jól olvashatók legyenek. Új jelek és matricák a tartalék alkatrészek listájáról rendelhetők.



s011050

#### Szimbólumok



A gépen végzett bármilyen beavatkozás előtt távolítsa el az akkumulátor csomagot.



A gép indítása előtt olvassa el körültekintően az előírásokat.



Az elektromos szerszámokat ne ártalmatlanítsa háztartási hulladékokkal együtt. Azokat az elektromos szerszámokat és elektronikus rendszert, melyeknek élettartama lejárt, elkülönítve kell gyűjteni és környezetbarát újrafeldolgozó létesítménybe kell juttatni. Újrahasznosítással és gyűjtőhelyekkel kapcsolatosan lépjen kapcsolatba a helyi hatósággal.



A gép használata közben mindig viseljen védőszemüveget.

n<sub>0</sub>

Nincs terhelési sebeség.

V

volt

min<sup>-1</sup>

percenként



Egyenáram



**VIGYÁZAT! FIGYELMEZTETÉS!  
VESZÉLY!**

## Hasznos információk

### Származási ország

People's Republic of China

### Weboldal

A termékekre, a tartozékokra és a cserealkatrészekre, valamint a kiadványainkra vonatkozó információk a(z) Rodcraft weboldalán található.

Látogasson el a következő címre: [www.rodcraft.com](http://www.rodcraft.com).

### Biztonsági adatlap

A Rodcraft által értékesített kémiai termékeket a biztonsági adatlapok írják le.

További információkért, kérjük, tekintse meg a Rodcraft honlapját: [qr.cp.com/sds](http://qr.cp.com/sds).

### Copyright

© Szerzői jog 2023, Desoutter GmbH, Edmund-Seng-Str. 3-5, 63477 Maintal, Germany

Minden jog fenntartva. A tartalom vagy annak bármely részének jogosulatlan használata vagy másolása tilos. Ez különösképpen vonatkozik a védjegyekre, a modellek megnevezéseire, az alkatrészszámokra és a rajzokra. Kizárólag engedélyezett alkatrészeket használjon. A nem engedélyezett alkatrészek használatából eredő bármilyen meghibásodásra vagy károsodásra a Jótállás és Termékfelelősség feltételei nem vonatkoznak.

## Tehnični podatki

### Opis izdelka

Glejte *Schema 2*.

1	Mehki ročaj
2	Gumb za nastavitve hitrosti
3	Baterija
4	Gumb baterije
5	Delovna luč
6	Luč indikatorja nastavitve hitrosti
7	Stikalni sprožilnik
8	Gumb za vzvratni tek
9	Štirikotni nastavek
10	Aluminijasti pokrov

## Izjave

### Izjava EU o skladnosti

V družbi **Desoutter GmbH**, Edmund-Seng-Str. 3-5, 63477 Maintal, Germany, na izključno lastno odgovornost izjavljamo, da je izdelek (z imenom, tipom in serijsko številko z naslovnice) skladen z naslednjimi direktivami:



2006/42/EC; 2011/65/EU; 2014/30/EU

Uporabljeni usklajeni standardi:

EN 62841-1:2015/A11:2022; EN 62841-2-2:2014; EN IEC 55014-1:2021; EN IEC 55014-2:2021; EN 62233:2008

Pristojni organ lahko zaprosi za pridobitev potrebnih tehničnih podatkov pri:

Pascal Roussy, R&D Manager, Ets Georges Renault, 38 rue Bobby Sands, BP10273 44818 Saint Herblain, France

Saint-Herblain, 2023/08/28

Pascal ROUSSY

Podpis

### Deklaracija o hrupu in vibracijah

Opis	RC9067	RC9077	RC9087
Zvočni tlak (K=3) (dB(A))	92,3	88,4	88,4
Moč zvoka (K=3) (dB(A))	100,3	96,4	96,4
Tresljaji (K=1,5) (m/s <sup>2</sup> )	5,45	8,15	8,15

Vrednosti zvočnega tlaka, moči zvoka in tresljajev so v skladu z EN 62841-2-2:2014 in AC:2015.

Deklarirane vrednosti so bile pridobljene med preskusom v laboratoriju v skladu z omenjenimi standardi in so primerne za primerjavo z vrednostmi drugih orodij, ki so bila testirana v skladu z istimi standardi. Raven emisij pri vibracijah se lahko uporabi za predhodno oceno izpostavljenosti. Deklarirane vrednosti niso primerne za uporabo pri ocenjevanju tveganja. Izmerjene vrednosti v posameznih delovnih okoljih se lahko razlikujejo. Dejanske ravni izpostavljenosti in tveganja za posameznega uporabnika so edinstvene in odvisne od načina dela uporabnika, od obdelovanca in delovne površine ter od časa izpostavljenosti in fizičnega stanja uporabnika.

Družba **Desoutter GmbH** ne more odgovarjati za posledice uporabe navedenih vrednosti namesto vrednosti, ki odražajo dejansko izpostavljenost pri individualni oceni tveganja na delovnem mestu oz. stanju na delovnem mestu, nad katerimi ta družba nima nobenega nadzora.

Neustrezen način uporabe orodja lahko vodi v prenos vibracij na sistem dlan-roka (sindrom vibracij v dlaneh in rokah). EU navodila za zmanjšanje prenosa vibracij na sistem dlan-roka lahko najdete na <http://www.pneurop.eu/index.php>, kjer izberete »Tools« (orodja) in nato »Legislation« (zakonodaja).

Priporočamo program zdravstvenega nadzora za zgodnje odkrivanje simptomov, povezanih z izpostavljenostjo vibracijam, da se lahko z ustreznimi organizacijskimi ukrepi preprečijo nadaljnje poškodbe.

- i** Če je oprema namenjena za pritrditev na stroj: Emisija hrupa je podana kot vodilo proizvajalca stroja. Podatki o emisiji hrupa in vibracij za celoten stroj morajo biti navedeni v priložniku z navodili za uporabo stroja.

## lokalne zahteve

### OPOZORILO

Ta izdelek vas lahko izpostavi kanikalijam, vključno s svincem, ki po vedenju države Kalifornije povzroča raka in okvare ob rojstvu oz. druge reproduktivne težave. Za več informacij obiščite

<https://www.p65warnings.ca.gov/>

## Informacije o 33. členu v sistemu REACH

Evropska uredba (EU) št. 1907/2006 o registraciji, evalvaciji, avtorizaciji in omejevanju kemikalij (REACH) med drugim določa zahteve glede obveščanja znotraj dobavne verige. Zahteve po obveščanju veljajo tudi za izdelke, ki vsebujejo t.i. snovi, ki zbujajo veliko skrb («seznam kandidatov»). 27. 06. 2018 je bil na seznam kandidatov dodan svinec (CAS nr 7439-92-1).

Skladno z zgoraj navedenim vas obveščamo, da lahko določene električne komponente izdelka vsebujejo svinec. To je v skladu s trenutno zakonodajo o omejevanju snovi in na osnovi zakonitih izjem v direktivi RoHS (2011/65/EU). Svinec med običajno uporabo ne bo iztekal ali mutiral iz izdelka, koncentracija svinca v celotnem izdelku pa je bistveno nižja od veljavne mejne vrednosti. Prosimo, pri odstranjevanju svinca ob koncu življenjske dobe izdelka upoštevajte lokalne zahteve.

## Varnost

NE ZAVRZITE – POSREDUJTE UPORABNIKU

### OPOZORILO Preberite vsa varnostna opozorila, navodila, ilustracije in specifikacije, ki jih prejmete z električnim orodjem.

Če navodil, ki so navedena spodaj, ne upoštevate, lahko pride do električnega udara, požara in/ali hudih poškodb.

**Vsa opozorila in navodila shranite za prihodnjo uporabo.**

### OPOZORILO Vedno je treba upoštevati vsa varnostna pravila za namestitev, uporabo in vzdrževanje, ki so skladna z lokalno zakonodajo.

## Izjava o uporabi

- Samo za profesionalno uporabo.
- Tega izdelek in njegovih dodatkov ni dovoljeno spreminjati na noben način.
- Če je izdelek poškodovan, ga ne uporabljajte.
- Če postanejo oznake s podatki o izdelku ali opozorila na nevarnosti, ki so na izdelku, neberljivi ali odpadejo, jih morate takoj zamenjati.
- Izdelek lahko nameščajo, upravljajo in servisirajo samo osebe, usposobljene za tako delo v industrijskem okolju.

## Predvidena uporaba

Izdelek lahko uporabljajo samo odrasle osebe, ki so prebrale in razumejo napotke in opozorila v teh navodilih za uporabo, in ki so odgovorne za svoja dejanja.

- Ta izdelek je namenjen za namestitev in odstranitev navojnih pritrdilnih elementov v lesu, kovini ali plastiki.
- Izdelka ne uporabljajte za noben drug namen, različen od opisanega zgoraj.
- Samo za notranjo uporabo.
- Druga vrsta uporabe ni dovoljena.

Uporabljajte le naslednje baterije in polnilnike.

RC20BA20: 8951000467

RC20BA40: 8951000468

RC20BA60: 8951000469

Baterije smete polniti le s polnilniki baterij Rodcraft.

RC20CHEU: 8951000470

RC20CHUK: 8951000471

Celotna navodila najdete v varnostnih informacijah polnilnika baterij (Tiskovina št. 8956002313).

## Splošna opozorila glede varnosti pri električnem orodju

### OPOZORILO Preberite vsa varnostna opozorila, navodila, ilustracije in specifikacije, ki jih prejmete z izdelkom.

Če navodil, ki so navedena spodaj, ne upoštevate, lahko pride do električnega udara, požara, škode na lastnini in/ali hudih poškodb.

**Vsa opozorila in navodila shranite za prihodnjo uporabo.**

Izraz "električno orodje" v opozorilih se nanaša na vaše električno orodje, ki se napaja z omrežno elektriko (žično) ali preko baterije (brezžično).

### Varnost na delovnem mestu

- **Delovno območje naj bo vedno čisto in dobro razsvetljeno.** Neurejene površine in temna območja so idealna za nezgode.
- **Z električnim orodjem ne delajte v eksplozivnih atmosferah, npr. v prisotnosti vnetljivih tekočin, plinov ali prahu.** Električna orodja ustvarjajo iskre, ki lahko vnamejo prah ali hlape.
- **Med delom z električnim orodjem se otroci in druge osebe ne smejo približevati delovnemu mestu.** Če vas kaj zmoti, lahko izgubite nadzor.

### Električna varnost

- **Izogibajte se stiku z ozemljenimi površinami, kot so pipe, radiatorji, štedilniki in hladilniki.** Če je vaše telo ozemljeno, obstaja povečano tveganje električnega udara.
- **Električnega orodja ne izpostavljajte dežju ali mokrim pogojem.** Voda, ki vstopi v električno orodje, poveča tveganje električnega udara.

### Osebnostna varnost

- **Pri uporabi orodja bodite pozorni, pazite na svoja dejanja in uporabljajte zdrav razum.** Električnega orodja ne uporabljajte, če ste zaspani ali pod vplivom mamil, alkohola ali zdravil. Trenutek nepozornosti med uporabo električnih orodij lahko povzroči hude osebne poškodbe.

- **Uporabite osebno zaščitno opremo. Vedno nosite zaščito za oči.** Zaščitna oprema, kot so protiprašna maska, zaščitni čevlji, ki ne drsijo, čelada ali zaščita sluha, ki se uporabljajo, ko je potrebno, zmanjšajo resnost osebnih poškodb.
- **Preprečite neželen zagon. Pred povezavo z električnim napajanjem in/ali baterijskim paketom in preden primete ali prenašate orodje, morate poskrbeti, da bo stikalo v izklopljenem položaju.** Prenášanje električnega orodja medtem ko držite prst na stikalu ali povezuje električno orodje z napajanjem, kliče po nezgodi.
- **Pred vklopom orodja odstranite prilagoditvene ključče ali ključče za odvijanje.** Ključ za odvijanje ali ključ, ki ga pustite priključenega na vrteči del orodja, lahko povzroči osebne poškodbe.
- **Pri delu ne segajte predaleč. Vedno imejte ustrezno podlago in ohranjajte ravnotežje.** S tem imate boljši nadzor nad električnim orodjem v nepričakovanih situacijah.
- **Nosite ustrezna oblačila. Ne nosite ohlapnih oblačil ali nakita. Las in oblačil ne približujte premičnim delom.** Ohlapna oblačila, nakit ali dolgi lasje se lahko ujamejo v premične dele.
- **Če so naprave zaščitene s povezavo naprav za odstranjevanje in zbiranje praha, poskrbite, da bodo priključeni in pravilno uporabljeni.** Uporaba naprave za zbiranje prahu lahko zmanjša nevarnosti, povezane s prahom.
- **Ne dovolite, da bi zaradi poznavanja orodja, do katerega ste prišli z njegovo pogosto uporabo, postali malomarni in ne bi upoštevali varnostnih načel dela z orodjem.** Neprevidno dejanje lahko povzroči hude poškodbe v delčku sekunde.
- **Pri izvajanju del, kjer se pritrilni element lahko dotakne skrite električne napeljave, morate električno orodje držati za izolirane prijemalne površine.** Pritrdilni elementi, ki vsebujejo "živo" žico, lahko električno napajajo izpostavljene kovinske dele električnega orodja in lahko električno udarijo upravljavca.

#### Uporaba električnega orodja in skrb zanj

- **Električnega orodja ne smete uporabljati na silo.** Uporabite orodje, ki ustreza vašim potrebam. S pravilno izbranim električnim orodjem lahko opravite delo bolje in varneje ter pri hitrosti, za katero je bilo narejeno.
- **Električnega orodja ne uporabljajte, če ga ne morete vklopiti in izklopiti z ustreznim stikalom.** Električna orodja, ki jih ne morete nadzorovati s stikalom, so nevarna in jih je treba popraviti.
- **Pred kakršnimi koli prilagoditvami, zamenjavo dodatkov ali shranjevanjem električnega orodja morate vtič odklopiti iz električnega napajanja in/ali baterijskega paketa električnega orodja, če je le-ta odstranljiv.** Ti preventivni varnostni ukrepi zmanjšajo tveganje neželenega zagona električnega orodja.
- **Neuporabljeni električni orodja shranite izven dosega otrok in ne dovolite, da bi osebe, ki se ne spoznajo na električna orodja ali ta navodila, upravljala električno orodje.** Električna orodja so v rokah neusposobljenih uporabnikov nevarna.

- **Vzdržujte električna orodja in dodatke. Preverite neustrezno poravnost ali povezovanje premičnih delov, zlome in vsa druga stanja, ki lahko vplivajo na delovanje električnega orodja. Če je orodje poškodovano, ga morate pred uporabo dati na servis.** Številne nezgode povzročijo ravno slabo vzdrževana električna orodja.
- **Rezalna orodja naj bodo ostra in čista.** Možnost zatikanja pravilno vzdrževanih orodij za rezanje z ostrimi rezalnimi robovi je manjša, poleg tega pa jih je lažje upravljati.
- **Električna orodja, dodatke in nastavke orodij, itd. uporabljajte skladno s temi navodili, pri tem pa upoštevajte delovne pogoje in delo, ki ga želite opraviti.** Uporaba električnega orodja za operacije, ki se razlikujejo od namena uporabe, lahko privede do nevarne situacije.
- **Ročaji in prijemalne površine morajo biti suhe, čiste in brez olja ter maščob.** Drseči ročaji in prijemalne površine ne dopuščajo varnega rokovanja z orodjem ter njegovega nadzora v nepričakovanih situacijah.

#### Uporaba baterijskega orodja in skrb zanj

- **Baterije polnite samo s polnilcem, ki ga določi proizvajalec.** Polnilce, ki je primeren za eno vrsto baterijskega paketa, lahko predstavlja tveganje za požar pri uporabi z drugim baterijskim paketom.
- **Električna orodja uporabljajte samo s posebej določenimi baterijami.** Uporaba drugih baterij lahko predstavlja tveganje za poškodbe in požar.
- **Kadar baterijskega paketa ne uporabljajte, ga ne približujte drugim kovinskim predmetom, kot so papirnate sponke, kovanci, ključji, žebliji, vijaki ali drugi majhni kovinski predmeti, s katerimi lahko vzpostavite stik med poloma.** Vzpostavitev kratkega stika polov baterije lahko povzroči opekline ali požar.
- **Pod neprimernimi pogoji lahko pride do izbrizga tekočine iz baterije; izogibajte se stiku s to tekočino. Če pride do nehotenega stika, splakujte z vodo. Če pride tekočina v stik z očmi, poiščite zdravniško pomoč.** Tekočina, izbrizgana iz baterije, lahko povzroči draženje ali opekline.
- **Ne uporabljajte baterijskega paketa ali orodja, ki je poškodovano ali spremenjeno.** Poškodovane ali spremenjene baterije se lahko obnašajo nepredvidljivo in povzročijo ogenj, eksplozijo ali tveganje poškodb.
- **Baterijskega paketa ali orodja ne izpostavite ognju ali čezmerni temperaturi.** Izpostavljanje ognju ali temperaturi nad 130 °C lahko povzroči eksplozijo.
- **Upoštevajte vsa navodila za polnjenje in baterijskega paketa ali orodja ne polnite izven temperaturnega razpona, ki je določen v navodilih.** Nepravilno polnjenje ali pri temperaturah izven določenega temperaturnega razpona lahko poškoduje baterijo in povzroči tveganje požara.

#### Servisiranje

- **Ali je vaše električno orodje servisiral usposobljen serviser, ki je pri tem uporabil samo identične nadomestne dele?** S tem boste zagotovili nadaljnjo varnost električnega orodja.

- **Nikoli ne servisirajte poškodovanih baterijskih paketov.** Baterijske pakete lahko servisira samo proizvajalec ali pooblaščen serviserji.

## Navodila, specifična za izdelek

### Uporaba orodja

1. Na orodje namestite ustrezni nastavke.
2. Z gumbom za nastavitve hitrosti (2) nastavite ustrezni način.
3. Z gumbom za vzratni tek izberite pravo smer (8).
4. Orodje postavite skladno z varnostnimi navodili, opisanimi v tem dokumentu.
5. Pritisnite stikalni sprožilnik (7) in zadržite pritisk.
6. Sprožilec (7) pritiskajte do konca obratovanja.

### **⚠ OPOZORILO Nevarnost poškodb**

Reakcijska sila narašča sorazmerno z navorom vijačenja, zato lahko v primeru nepričakovanega obnašanja orodja pride do resnih telesnih poškodb operaterja.

- ▶ Prepričajte se, da je orodje v brezhibnem stanju in da je sistem ustrezno programiran.

### Baterija

Baterije, ki nekaj časa niso bile v uporabi, morajo biti za uporabo ponovno napolnjene. Temperature nad 50 °C (122 °F) zmanjšujejo učinkovitost baterije. Izogibajte se daljši izpostavljenosti toploti ali soncu (nevarnost pregrevanja). Priključki polnilnikov in baterijskih vložkov morajo biti čisti. Za optimalno življenjsko dobo morate po zaključeni uporabi baterije popolnoma napolniti. Za zagotovitev čim daljše življenjske dobe paketa baterij, ga odstranite iz polnilnika, potem ko je napolnjen.

Paket baterij ima zaščito pred preobremenitvijo, ki ga ščiti pred preobremenitvijo in tako zagotavlja dolgo življenjsko dobo. Pod izrednim stresom elektronsko stikalo baterije samodejno izklopi izdelek. Za ponovni zagon izdelek izklopite in ga ponovno vklopite. Če se izdelek ne zažene znova, je baterija morda popolnoma prazna. V tem primeru jo je potrebno ponovno napolniti v polnilcu za baterije.

### Navodila za vzdrževanje

- **Upoštevajte lokalne in državne okoljevarstvene predpise za varno delo z vsemi sestavnimi deli in njihovo odstranjevanje.**
- Vzdrževanje in popravila lahko izvaja izključno usposobljeno osebje ter z uporabo originalnih nadomestnih delov. Če potrebujete tehnično pomoč ali nadomestne dele, se obrnite na proizvajalca ali najbližjega pooblaščenega prodajalca.
- Vedno poskrbite, da bo stroj odklopljen z vira energije, da se izognete nenamernemu sproženju delovanja.
- Če orodje uporabljate vsak dan, ga morate razstaviti in pregledati vsake 3 mesece. Zamenjajte poškodovane ali obrabljene dele.

- Zavorna tekočina, bencin, izdelki na osnovi nafte, pronicajoča olja in podobne snovi nikoli ne smejo priti v stik s plastičnimi deli. Kemikalije lahko plastiko poškodujejo, oslabijo ali uničijo, kar lahko privede do hudih telesnih poškodb.
- Pri čiščenju plastičnih delov ne uporabljajte topil. Večina plastičnih mas je ob uporabi komercialnih topil dovzetna za poškodbe. Za odstranjevanje umazanije, prahu, olj, maščobe itd. uporabite čisto krpo.

### Odstranjevanje

- Odstranjevanje te opreme mora potekati v skladu z zakonodajo zadevne države.
- Vse poškodovane, močno obrabljene ali nepravilno delujoče naprave **JE TREBA PRENEHATI UPORABLJATI.**
- Popravila lahko izvaja samo tehnično vzdrževalno osebje.

### Dodatna varnostna pravila za izvijače in ključe

#### Tveganja zaradi zapletanja

- **Ne približujte se vrtečemu se pogonu.** Če ohlapna oblačila, rokavice, nakit, ogrlice in lase približate orodju in pripomočkom, lahko pride do dušenja, iztrganja las in / ali ran.
- **Ne nosite ohlapno prilegajočih se rokavic ali rokavic z odrezanimi oziroma nacefranimi prsti.** Rokavice se lahko zapletejo v rotacijski pogon in povzročijo amputacijo ali zlome prstov.
- **Rokavice, prevlečene z gumo ali ojačane s kovino, lahko z lahkoto povleče v puše rotacijskih pogonov in podaljške pogonov.**
- **Nikoli ne primite za pogon, pušo ali podaljšek pogona.**

#### Tveganja pri delu

- **Upravljalci morajo biti fizično sposobni upravljati tovor, težo in moč orodja.**
- **Orodje držite pravilno: bodite pripravljeni na protikrepe na običajne ali nenadne premike.** Za delo uporabljajte obe roki.
- **Takoj zatem, ko ste prilagodili sklopko, preverite, ali stroj deluje pravilno.**
- **Ne uporabljajte, če je v obrabljene stanju.** Sklopka morda ne bo delovala, zaradi česar lahko pride do nenadnega zasuka držala orodja.
- **Držalo orodja zmeraj varno podložite v nasprotni smeri vrtenja vretena, da bi zmanjšali učinek nenadnih navornih reakcij pri končnem privijanju in pri začetnem rahljanju.**
- **Če je mogoče, uporabite suspenzijsko roko za absorpcijo reakcijskega navora.** Če to ni mogoče, se priporoča stranske ročaje za orodja z ravnim ohišjem in orodja s pištolnim ročajem; za kotne vijačnike za matice se priporočajo reakcijske prečke. V vsakem primeru je priporočena uporaba sredstev za absorpcijo reakcijskega navora, ki presega 4 Nm (3 lbf.ft) za orodja

z ravnim ohišjem, nad 10 nM (7,5 lbf.ft) za orodja s pištolnim ročajem in nad 60 Nm (44 lbf.ft) za kotne vijčnike za maticе.

#### Tveganja izvrženih kosov

- **Vedno ko delate s tem orodjem, na njem opravljate popravila ali vzdrževanje, menjate priključke ali ste v njegovi bližini, nosite na udarce odporno zaščito za oči in obraz.**
- **Preverite, ali zaščito za oči in obraz, ki je odporna na izvržene predmete, nosijo vsi okoli vas.** Tudi majhen izvržen predmet lahko oči poškoduje in povzroči slepoto.
- **Sklopi, pri katerih je potreben poseben zatezni moment, je treba preverjati z merilnikom zateznega momenta.** Tako imenovani momentni ključi na "klik" ne preverjajo morebitno nevarnih okoliščin previsokega navora. Zaradi preveč ali premalo privitih spojnih elementov, ki se lahko odlomijo ali se odvijajo in ločijo, lahko pride do hudih poškodb. Sproščene sklope lahko izstrelijo ven.
- **Ne uporabljajte ročnih puš.** Uporabljajte le električne ali udarne nastavke v dobrem delovnem stanju.
- **Tega orodja in priključkov ne smete spreminjati.**

#### Nevarnosti zaradi ponavljajočega se premikanja

- **Pri uporabi električnega orodja za izvajanje aktivnosti, povezanih z delom, lahko uporabnik začuti neudobje v rokah, zgornjih udih, ramenih, vratu ali drugih delih telesa.**
- **Uporabljajte udobno držo in ohranjajte varno oporo ter se izogibajte neudobnim ali neuravnoteženim držam.** S spreminjanjem drže med daljšimi opravili lahko preprečite neugodje in utrujenost.
- **Ne prezrite simptomov, kot so vztrajno ali ponovljivo neudobje, bolečina, drhtenje, ščemenje, zvenenje, otopelost, občutek žganja ali otrdelost.** Prenehajte uporabljati orodje, obvestite delodajalca in se posvetujte z zdravnikom.

#### Nevarnosti na delovnem mestu

- **Glavni vzroki za resne poškodbe ali smrt so zdrsi, spotiki in padci.** Razmetana območja in delovne mize vabijo nezgode.
- **Orodja ne uporabljajte v zaprtih prostorih.** Pazite, da se vam roka ne uklešči med orodjem in obdelovancem, še posebej pri odvijanju.
- **Visoka stopnja hrupa lahko povzroči trajno izgubo sluha.** Uporabljajte zaščito za ušesa, kot jo priporoča delodajalec ali predpisi o poklicnem zdravju in varnosti.
- **Poskrbite, da bo obdelovanec dobro pritrjen.**
- **Ponavljajoči se gibi, nerodni položaji in izpostavljenost vibracijam lahko poškodujejo roke in noge.** V primeru, da pride do otrplosti, ščemenja, bolečin ali beljenja kože, prenehajte uporabljati to orodje in se posvetujte z zdravnikom.
- **V neznanih okoliščinah bodite izjemno previdni.** Zavedajte se mogočih nevarnosti, ki jih lahko ustvarite s svojimi delovnimi aktivnostmi. To orodje ni izolirano pred stikom z viri električnega toka.

#### Znaki in etikete

Izdelek je opremljen z znaki in nalepkami, ki vsebujejo pomembne informacije o osebni varnosti in o vzdrževanju izdelka. Nalepke in znaki morajo biti vedno dobro berljivi. Nove znake in nalepke lahko naročite s pomočjo seznama rezervnih delov.



s011050

#### Simboli



Pred začetkom del na stroju odstranite paket baterij.



Pred zagonom stroja skrbno preberite navodila.



Električnih orodij ne odstranjujte skupaj z gospodinjskimi odpadnimi materiali. Električna orodja in elektronska oprema, ki so dosegli konec svoje življenjske dobe, je treba ločeno zbirati in oddati okolju prijaznemu obratu za recikliranje. Pri lokalnih oblasteh ali prodajalcu se pridobite informacije glede zbirnega mesta za recikliranje.



Med uporabo stroja vedno nosite zaščitna očala.

 $n_0$ 

Hitrost brez obremenitve.

 $V$ 

voltov

 $\text{min}^{-1}$ 

na minuto



Enosmerni tok



PREVIDNO! POZOR! NEVARNOST!

#### Koristne informacije

##### Država izvora

People's Republic of China

##### Spletno mesto

Informacije o naših izdelkih, dodatni opremi, nadomestnih delih in objavljenih publikacijah lahko najdete na spletni strani Rodcraft.

Prosimo, obiščite: [www.rodcraft.com](http://www.rodcraft.com).

##### Varnostni list

Varnostni listi opisujejo kemične izdelke, ki jih prodaja družba Rodcraft.

Prosimo, za več informacij pogledajte na spletno stran družbe Rodcraft - [qr.cp.com/sds](http://qr.cp.com/sds).

##### Avtorske pravice

© Avtorske pravice 2023, Desoutter GmbH, Edmund-Seng-Str. 3-5, 63477 Maintal, Germany



Vse pravice pridržane. Vsaka nepooblaščen uporaba ali razmnoževanje vsebine ali delov vsebine je prepovedano. To še posebej velja za blagovne znamke, označbe modelov, številke delov in slike. Uporabite samo pooblaščen dele. Garancija ali jamstvo za izdelek ne krije nobenih poškodb ali nepravilnega delovanja, ki ga povzroči uporaba nepooblaščenih delov.

## Date tehnice

### Descrierea produsului

Consultați *Schema 2*.

1	Mâner soft
2	Buton reglare turație
3	Pachet acumulator
4	Buton pentru pachetul acumulator
5	Lumină de lucru
6	Indicator luminos reglare turație
7	Declanșator tip comutator
8	Buton pentru Invers
9	Antrenor pătrat
10	Capac din aluminiu

## Declarații

### Declarație de conformitate UE

Noi, **Desoutter GmbH**, Edmund-Seng-Str. 3-5, 63477 Maintal, Germany, declarăm pe propria răspundere că produsul (cu denumirea, tipul și numărul de serie - vezi prima pagină) este conform cu următoarea Directivă / următoarele Directive:

**2006/42/EC; 2011/65/EU; 2014/30/EU**

Standarde armonizate aplicate:

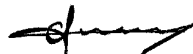
**EN 62841-1:2015/A11:2022; EN 62841-2-2:2014; EN IEC 55014-1:2021; EN IEC 55014-2:2021; EN 62233:2008**

Autoritățile pot solicita informații tehnice corespunzătoare de la:

Pascal Roussy, R&D Manager, Ets Georges Renault, 38 rue Bobby Sands, BP10273 44818 Saint Herblain, France

**Saint-Herblain, 2023/08/28**

**Pascal ROUSSY**

Semnătură  


### Declarație cu privire la nivelul de zgomot și de vibrații

Descriere	RC9067	RC9077	RC9087
Nivel presiune sunet (K=3) (dB(A))	92,3	88,4	88,4
Nivel de putere acustică (K=3) (dB(A))	100,3	96,4	96,4
Vibrații (K=1,5) (m/s <sup>2</sup> )	5,45	8,15	8,15

Valorile pentru nivelul de presiune a sunetului, nivelul de putere acustică și vibrații sunt declarate în conformitate cu EN 62841-2-2:2014 + AC:2015.

Aceste valori declarate au fost obținute prin teste de laborator, în conformitate cu standardele menționate și pot fi comparate cu valorile declarate ale altor unelte testate în conformitate cu aceleași standarde. Nivelul emisiilor de vibrații poate fi utilizat pentru evaluarea preliminară a expunerii. Nu se recomandă utilizarea acestor valori declarate în evaluările de risc, iar valorile măsurate în locurile de muncă individuale pot fi mai ridicate. Valorile reale de expunere și riscurile de vătămare experimentate de către un utilizator individual anume sunt unice și depind de modul în care utilizatorul execută lucrările, de piesa de lucru și de modelul stației de lucru, precum și de durata timpului de expunere și de starea fizică a utilizatorului.

Noi, **Desoutter GmbH**, nu putem fi considerați răspunzători de consecințele utilizării valorilor nominale în locul celor ce reflectă expunerea reală, într-o evaluare individuală a riscurilor unei situații care apare la un post de lucru asupra cărora nu avem control.

Această unealtă poate produce sindromul de vibrație mână-braț dacă nu este utilizată în mod adecvat. Ghidul UE privind gestionarea vibrațiilor mână-braț poate fi găsit prin accesarea <http://www.pneurop.eu/index.php> și selectarea opțiunii „Tools” (Unelte) și apoi „Legislation” (Legislație).

Vă recomandăm un program de monitorizare a sănătății pentru a detecta simptomele timpurii care pot apărea ca urmare a expunerii la zgomot și vibrații, astfel încât procedurile de management să poată fi modificate pentru a ajuta la prevenirea agravării situației.

- ⓘ Dacă acest echipament este destinat aplicațiilor fixe: Emisia de zgomot este precizată ca un ghid pentru constructorul de mașini. Datele pentru emisia de zgomot și vibrații pentru întreaga mașină trebuie prezentate în manualul de instrucțiuni al mașinii.

### Cerințe regionale

#### ⚠ AVERTISMENT

Acest produs vă poate expune la substanțe chimice, inclusiv plumb, care este cunoscut Statului California ca fiind cauzator de cancer și de defecte la naștere sau de alte efecte nocive asupra funcției de reproducere. Pentru mai multe informații, accesați

<https://www.p65warnings.ca.gov/>

### Informații referitoare la Articolul 33 din REACH

Regulamentul European (UE) Nr. 1907/2006 privind Înregistrarea, Evaluarea, Autorizarea și restricționarea Substanțelor chimice (REACH) definește, printre altele, cerințele privind comunicarea din lanțul de aprovizionare. Cerința privind informarea se aplică și la produsele care conțin așa numitele Substanțe care prezintă motive de îngrijorare deosebită („Listă a substanțelor identificate în vederea unei eventuale includeri în procedura de autorizare”). Pe 27 iunie 2018 plumbul metal (CAS nr 7439-92-1) a fost adăugat la Lista substanțelor identificate în vederea unei eventuale includeri în procedura de autorizare.

Urmare a celor de mai sus, prin prezenta vă informăm că anumite componente electrice din acest produs pot conține plumb metal. Aceasta este în conformitate cu legislația curentă privind restricția substanțelor și în baza excepțiilor legitime din Directiva RoHS (2011/65/UE). Plumbul metal nu se va scurge sau va suferi mutații din produs în timpul utilizării normale, concentrația de plumb metal din produsul finit este mult sub limitele prevăzute. Să aveți în vedere cerințele locale privind eliminarea plumbului la încheierea duratei de exploatare a produsului.

## Siguranța

A NU SE ARUNCA - A SE PEDA UTILIZATORULUI

**⚠️ AVERTISMENT Citiți toate avertismentele, instrucțiunile, ilustrațiile și specificațiile furnizate împreună cu uneltele.**

În cazul nerespectării tuturor instrucțiunilor de mai jos, este posibilă producerea unei electrocutări, unui incendiu și/sau a unei vătămări grave.

**Păstrați toate avertismentele și instrucțiunile pentru consultări ulterioare.**

**⚠️ AVERTISMENT Trebuie respectate permanent toate reglementările de siguranță din legislația locală privind instalarea, utilizarea și întreținerea.**

## Declarație privind utilizarea

- Exclusiv pentru utilizarea profesională.
- Acest produs și accesoriile sale nu trebuie modificate în niciun fel.
- Nu utilizați acest produs dacă este deteriorată.
- În cazul în care datele produsului sau etichetele de avertizare la pericole de pe acesta devin ilizibile sau se detașează, înlocuiți-le imediat.
- Produsul trebuie instalat, utilizat și întreținut exclusiv de către personalul calificat, într-un mediu industrial.

## Scop preconizat

Produsul este destinat pentru a fi utilizat numai de persoane adulte care au citit și au înțeles instrucțiunile și avertismentele din acest manual și pot fi considerate responsabile pentru acțiunile lor.

- Acest produs este destinat instalării și demontării pieselor de asamblare filetate din lemn, metal sau plastic.
- Nu utilizați produsul pentru niciun alt scop care nu este descris mai sus.
- A se folosi exclusiv la interior.
- Nu este permis niciun alt scop de utilizare.

Folosiți exclusiv următoarele pachete acumulator și încărcătoare.

RC20BA20: 8951000467

RC20BA40: 8951000468

RC20BA60: 8951000469

Pachetele acumulator trebuie încărcate numai de la încărcătoarele pentru acumulator Rodcraft.

RC20CHEU: 8951000470

RC20CHUK: 8951000471

Pentru instrucțiunile complete, consultați Informațiile referitoare la siguranța de la încărcătorul pentru pachetul acumulator (Material tipărit nr. 8956002313).

## Avertismente generale privind siguranța uneltelor electrice

**⚠️ AVERTISMENT Citiți toate avertismentele, instrucțiunile, ilustrațiile și specificațiile furnizate împreună cu produsul.**

În cazul nerespectării tuturor instrucțiunilor de mai jos, este posibilă producerea unei electrocutări, unui incendiu, unor daune asupra proprietății și/sau a unei vătămări grave.

**Păstrați toate avertismentele și instrucțiunile pentru consultări ulterioare.**

Termenul „unealtă electrică” din avertismente se referă la uneltele electrice alimentate de la rețea (prin cablu) sau cu baterii (fără cablu).

### Siguranța zonei de lucru

- **Păstrați zona de lucru curată și bine luminată.** Zonele aglomerate și întunecate facilitează producerea de accidente.
- **Nu utilizați unelte electrice în atmosfere explozive, cum ar fi în prezența lichidelor, gazelor sau pulberilor inflamabile.** Uneltele acționate electric creează scântei care pot aprinde praful sau vaporii.
- **În timpul utilizării unei unelte electrice țineți la distanță copiii și persoanele neimplicate în procedură.** Distragerea atenției poate cauza pierderea controlului asupra uneltei.

### Siguranța electrică

- **Evitați contactul corpului cu suprafețele împământate, precum conducte, calorifere, aragaze și frigidere.** Riscul de electrocutare sporește în cazul împământării sau legării la masă a corpului.
- **Nu expuneți uneltele electrice la ploaie sau umezeală.** Pătrunderea apei într-o unealtă electrică sporește riscul de electrocutare.

### Siguranța personală

- **La utilizarea unei unelte electrice, procedați cu atenție, urmăriți-vă acțiunile și folosiți rațiunea. Nu utilizați o unealtă electrică dacă sunteți obosit sau sub influența drogurilor, alcoolului sau medicamentelor.** Un singur moment de neatenție în timpul folosirii uneltei poate cauza leziuni serioase.
- **Folosiți echipamente de protecție personală. Purtați întotdeauna ochelari de protecție.** Echipamentele de protecție precum masca de praf, încălțăminte antiderapantă, casca sau tampoanele auditive folosite în condiții corespunzătoare reduc vătămrile personale.
- **Evitați pornirea accidentală a uneltelor. Anterior conectării unei unelte electrice la sursa electrică și/sau la acumulator, anterior ridicării sau transportării acesteia, asigurați-vă că întrerupătorul uneltei este în poziția dezactivat.** Transportarea uneltelor electrice

ținând degetul pe comutatorul de pornire/oprire sau branșarea acestora la sursa electrică având comutatorul în poziția activat facilitează producerea de accidente.

- **Anterior pornirii uneltei electrice trebuie îndepărtate eventualele chei utilizate la reglarea acesteia.** O cheie lăsată atașată pe o componentă rotativă a uneltei electrice poate produce vătămări corporale.
- **Nu lucrați în poziții dificile! Mențineți permanent sprijinul și echilibrul.** Astfel veți fi în măsură să controlați mai bine unealta electrică în situații dificile.
- **Purtați îmbrăcăminte corespunzătoare. Nu purtați haine prea largi sau bijuterii. Țineți părul și hainele la distanță de piesele în mișcare.** Hainele largi, bijuteriile sau părul lung pot fi prinse de aceste piese.
- **Dacă există dispozitive de conectare a sistemelor de extracție și colectare a prafului, acestea trebuie cuplate și utilizate corespunzător.** Utilizarea sistemelor de colectare a prafului reduce pericolele asociate pulberilor.
- **Nu deveniți indiferent și nu ignorați principiile de siguranță ale uneltelor ca urmare a cunoștințelor acumulate din utilizarea frecventă a acestora.** O acțiune neatență poate provoca vătămări grave într-o fracțiune de secundă.
- **Atunci când executați operațiuni în care dispozitivul de fixare ar putea intra în contact cu cabluri ascunse, apucați unealta electrică exclusiv de suprafețele izolate.** Bridele care intră în contact cu un cablu aflat sub tensiune pot pune părțile metalice ale uneltei sub tensiune și pot provoca electrocutarea operatorului.

#### Utilizarea și întreținerea uneltei electrice

- **Nu forțați unealta electrică. Utilizați unealta corespunzătoare aplicației.** Unealta corespunzătoare va efectua activitatea mai bine și mai sigur, la viteza pentru care a fost proiectată.
- **Nu utilizați o unealtă electrică al cărei comutator de pornire/oprire este nefuncțional.** Orice unealtă electrică ce nu poate fi controlată cu ajutorul comutatorului este periculoasă și trebuie reparată.
- **Anterior efectuării de reglaje, înlocuirii accesoriilor sau depozitării uneltelor electrice, deconectați-le de la sursa electrică și/sau scoateți bateria din acestea dacă este detașabilă.** Aceste măsuri de precauție reduc riscul pornirii accidentale a uneltei electrice.
- **Nu lăsați la îndemâna copiilor unelte electrice aflate în repaus și nu permiteți utilizarea acestora de către persoane care nu cunosc unelte respective sau aceste instrucțiuni.** Unelte electrice sunt periculoase dacă sunt utilizate de persoane nepregătite.
- **Întreținerea uneltelor electrice și a accesoriilor.** Verificați dacă piesele în mișcare nu sunt aliniate sau aderă, identificați eventualele piese fisurate sau aflate în orice altă stare ce poate afecta funcționarea uneltei electrice. Dacă o unealtă electrică este defectă, aceasta trebuie reparată anterior utilizării. Multe accidente sunt provocate de unelte electrice cu o întreținere inadecvată.
- **Păstrați unelte tăietoare ascuțite și curate.** Unelte de tăiere cu margini ascuțite, întreținute corespunzător, sunt mai puțin expuse posibilității de aderare și sunt mai ușor de controlat.

- **Utilizați unelte electrice, accesoriile și biții, etc. în conformitate cu aceste instrucțiuni, având în vedere condițiile de lucru și sarcina ce trebuie efectuată.** Utilizarea uneltelor electrice într-un alt scop decât cel pentru care au fost proiectate poate genera situații periculoase.
- **Mențineți mânerul și suprafețele de apucare uscate, curate și fără ulei și vaselină.** Mănerul și suprafețele de apucare alunecoase nu permit manevrarea sigură și controlul uneltei în situații neașteptate.

#### Utilizarea și întreținerea uneltei cu acumulator

- **Încărcați acumulatorul numai cu încărcătorul specificat de producător.** Un încărcător potrivit unui anumit tip de acumulator poate constitui un risc de incendiu dacă este utilizat la încărcarea unui alt acumulator.
- **Utilizați unelte electrice exclusiv împreună cu acumulatorii proiectate special pentru acestea.** Utilizarea unui tip diferit de acumulatori poate genera pericol de vătămare și incendiu.
- **Când nu folosiți acumulatorii, păstrați-le departe de obiecte metalice, cum ar fi agrafe pentru hârtie, monede, cuie, șuruburi sau alte obiecte metalice mici, care ar putea face contact între terminalele acumulatorului.** Scurtcircuitarea bornelor poate provoca arsuri sau incendiu.
- **În condiții de utilizare abuzivă, este posibilă scurgerea de lichid din acumulator; evitați contactul cu acesta. Dacă se produce accidental contactul, clătiți-vă cu apă. În cazul în care lichidul intră în contact cu ochii, clătiți-vă cu apă și solicitați asistență medicală.** Lichidul scurs din acumulator poate provoca iritații sau arsuri.
- **A nu se utiliza acumulatori sau unelte deteriorate sau modificate.** Acumulatorii deteriorați sau modificați se pot comporta imprevizibil și provoca foc, explozie sau pericol de vătămare.
- **A nu se expune acumulatorii sau unelte la foc sau temperaturi excesive.** Expunerea la foc sau temperaturi peste 130 °C poate provoca explozia.
- **Urmați toate instrucțiunile de încărcare și nu încărcați acumulatorii sau unelte la temperaturi situate în afara intervalului specificat în instrucțiuni.** Încărcarea inadecvată sau la temperaturi situate în afara intervalului specificat poate duce la deteriorarea acumulatorilor și spori riscul de incendiu.

#### Service

- **Unelte electrice trebuie supuse procedurilor de service de către persoane calificate, care trebuie să folosească doar piese de schimb identice.** Astfel se menține siguranța uneltei electrice.
- **Nu reparați niciodată acumulatorii deteriorați.** Repararea acestora trebuie executată numai de către producător sau prestatori de operațiuni de service autorizați.

### Instrucțiuni specifice produsului

#### Utilizarea uneltei

1. Montați pe unealtă un adaptor adecvat.

2. Setati modul corect folosind butonul de reglare turatie (2).
3. Alegeti directia corecta folosind butonul pentru invers (8).
4. Pozitionati unealta respectand instructiunile privind siguranta din acest document.
5. Apasati si mentineti apasat declansatorul tip comutator (7).
6. Mentineti apasarea pe declansator (7) pana la finalizarea operatiunii.

### **⚠ AVERTISMENT Pericol de vătămare**

Deoarece forța de reacție crește proporțional cu cuplul de strângere, există riscul vătămării corporale grave a operatorului ca urmare a comportamentului neașteptat al uneltei.

- ▶ Asigurați-vă că unealta este în stare perfectă de funcționare și sistemul este programat corect.

### **Acumulatorul**

Acumulatorii care nu au fost folosiți un timp trebuie reincărcate înainte de utilizare. Temperaturile de peste 50 °C (122 °F) reduc performanța acumulatorului. Evitați expunerea îndelungată la căldură sau soare (risc de supraîncălzire).

Punctele de contact ale încărcătoarelor și ale acumulatorilor trebuie păstrate curate.

Pentru o durată de viață optimă, după utilizare, acumulatorii trebuie încărcate complet. Pentru a avea cea mai lungă durată de viață posibilă pentru acumulator, scoateți acumulatorul din încărcător după ce acesta s-a încărcat complet.

Acumulatorul are protecție împotriva supraîncărcării, care îl protejează de supraîncălzire și ajută la asigurarea duratei de viață. În condiții de stres extrem, electronica acumulatorului oprește automat produsul. Pentru a reporni, opriți și apoi reporniți produsul. Dacă produsul nu pornește din nou, acumulatorul se poate descărca complet. În acest caz, acesta trebuie reincărcat în încărcătorul bateriei.

### **Instrucțiuni de întreținere**

- Pentru manevrarea și casarea în siguranță a tuturor componentelor urmați reglementările de mediu în vigoare în țara respectivă.
- Lucrările de întreținere și reparații trebuie efectuate de personal calificat, folosind numai piese de schimb originale. Contactați producătorul sau cel mai apropiat distribuitor autorizat pentru consultanță cu privire la serviciul tehnic sau dacă aveți nevoie de piese de schimb.
- Pentru evitarea pornirii accidentale trebuie verificat întotdeauna dacă echipamentul a fost deconectat de la sursa electrică.
- Dacă echipamentul este utilizat zilnic, acesta trebuie dezamblat și verificat trimestrial. Înlocuiți piesele deteriorate sau uzate.
- Nu lăsați pentru niciun moment lichide de frână, benzină, produse pe bază de petrol, uleiuri penetrante etc. să intre în contact cu componentele din plastic. Produsele chimice pot deteriora, slăbi sau distruge materialul plastic, ceea ce ar putea duce la vătămări corporale grave.

- Evitați folosirea solvenților atunci când curățați componentele din plastic. Majoritatea materialelor plastice sunt sensibile la diferite tipuri de solvenți comerciali și pot fi deteriorate prin utilizarea acestora. Folosiți cârpe curate pentru a îndepărta murdăria, praful, uleiul, grăsimile etc.

### **Casarea**

- Casarea acestui echipament trebuie făcută conform legislației în vigoare în țara respectivă.
- Toate echipamentele deteriorate, foarte uzate sau care funcționează defectuos **NU TREBUIE FOLOSITE**.
- A se repara exclusiv de către personalul de mentenanță tehnică.

### **Reguli de siguranță suplimentare, pentru șurubelnițe și chei**

#### **Pericole de agățare și încurcare**

- **Păstrați distanța față de axul rotativ.** Este posibilă producerea de strangulări, scalpări sau laceratii dacă hainele largi, mănușile, bijuteriile, podoabele pentru gât și părul nu sunt ținute la distanță de unealtă și de accesoriile acesteia.
- **Nu purtați mănuși largi, cu degete franjurate sau fără degete.** Mănușile se pot prinde în axul rotativ, provocând secționarea sau fracturarea degetelor.
- **Adaptoarele axului rotativ și prelungitoarele de acționare pot apuca cu ușurință mănușile cauciucate sau cu ranforsare metalică.**
- **Nu apucați niciodată axul, adaptorul sau prelungitorul de acționare.**

#### **Pericole în timpul utilizării**

- **Operatorii și personalul de întreținere trebuie să fie apți din punct de vedere fizic să controleze volumul, greutatea și forța uneltei.**
- **Apucați unealta corect: fiți pregătit să compensați eventualele mișcări normale sau bruște.** Trebuie să folosiți ambele mâini.
- **Imediat după reglarea cuplajului, verificați dacă unealta funcționează corect.**
- **A nu se utiliza în condiții de uzură.** Este posibil să nu funcționeze cuplajul și să se producă o rotație neașteptată a mânerului uneltei.
- **Întotdeauna apucați strâns mânerul uneltei, în sens opus față de sensul de rotație a axului acesteia, pentru a reduce efectul reacției bruște a cuplului în timpul strângerii finale și desfacerii inițiale.**
- **Dacă este posibil, folosiți un braț de suspensie pentru a absorbi cuplul de reacție. Dacă acest lucru nu este posibil, se recomandă folosirea mânerelor laterale pentru uneltele drepte și pentru cele cu prindere tip pistol; pentru cheile unghiulare se recomandă barele de reacție.** În orice caz, se recomandă utilizarea de mijloace de absorbție a cuplului peste 4 Nm (3 lbf.ft) pentru uneltele drepte, peste 10 Nm (7,5 lbf.ft) pentru cele cu prindere tip pistol și peste 60 Nm (44 lbf.ft) pentru cheile unghiulare.

## Pericolele reprezentate de obiectele proiectate

- **Purtați întotdeauna o mască de protecție rezistentă la șoc pentru ochi și față atunci când utilizați, reparați sau întrețineți o unealtă, când schimbați accesoriile acesteia sau când vă aflați în apropiere în cursul acestor operațiuni.**
- **Asigurați-vă că toți cei aflați în zonă poartă măști de protecție rezistente la impact pentru ochi și față.** Chiar și obiectele proiectate de mici dimensiuni pot răni ochii și provoca orbirea.
- **Ansamblurile care necesită un anumit cuplu trebuie verificate cu ajutorul unui torsionmetru.** Așa-numitele chei dinamometrice cu „clichet” nu verifică dacă înșurubarea este excesivă, ceea ce poate fi periculos. Dispozitivele de strângere aflate la valori de cuplu prea mici sau prea mari se pot sparge sau slăbi și desprinde, provocând vătămări grave. Ansamblurile eliberate pot deveni proiectile.
- **Nu folosiți chei pentru acționare manuală.** Folosiți doar chei electrice sau chei de impact, în stare bună.
- **Este interzisă modificarea în orice fel a uneltei sau accesoriilor sale.**

## Pericole asociate mișcărilor repetitive

- **Când utilizează o unealtă electrică pentru activități lucrative, operatorul poate resimți disconfort la nivelul mâinilor, brațelor, umerilor, gâtului sau altor zone ale corpului.**
- **Adoptați o poziție confortabilă, mențineți-vă sprijinul pe picioare și evitați pozițiile ciudate sau precare.** Modificarea poziției în timpul executării unor sarcini prelungite poate evita disconfortul și oboseala.
- **Nu ignorați simptomele precum disconfortul, durerile, tremurăturile, furnicăturile, amorțeala, senzațiile de arsură sau rigiditatea persistente și recurente.** Încetați utilizarea uneltei, comunicați acest lucru angajatorului și adresați-vă unui medic.

## Riscuri asociate locului de muncă

- **Alunecările/împiedicarea/căzăturile sunt cauze majore de vătămare gravă sau deces.** Zonele și bancurile de lucru aglomerate favorizează producerea de vătămări.
- **Nu folosiți unealta electrică în spații limitate.** Procedați cu atenție pentru a nu vă zdrobi mâinile între unealta electrică și piesa de prelucrat, mai ales la deșurubare.
- **Zgomotele puternice pot duce la pierderea permanentă a auzului.** Folosiți mijloace de protecție pentru auz, așa cum este recomandat de către angajator sau în regulamentele de siguranță și sănătate ocupațională.
- **Piesa de prelucrat trebuie fixată ferm.**
- **Mișcările de lucru repetitive, pozițiile incomode și expunerea la vibrații pot fi nocive pentru mâini și brațe.** Dacă remarcați amorțeală, furnicăături, durere sau albirea pielii încetați utilizarea uneltei și consultați un medic.
- **Procedați cu atenție în medii insuficient cunoscute.** Conștientizați riscurile asociate activității desfășurate. Această unealtă nu este izolată în cazul contactului cu surse electrice.

## Indicatoare și autocolante

Produsul este prevăzut cu marcaje și autocolante ce conțin informații importante despre siguranța personală și întreținerea produsului. Marcajele și autocolantele trebuie să fie ușor lizibile permanent. Marcaje și autocolante noi pot fi comandate de pe lista de piese de schimb.



s011050

## Simboluri



Scoateți acumulatorul înainte de a începe orice operațiune cu aparatul.



Citiți cu atenție instrucțiunile înainte de a porni aparatul.



Nu aruncați sculele electrice împreună cu deșeurile menajere. Unelte electrice și echipamentele electronice care au ajuns la sfârșitul duratei lor de viață trebuie colectate separat și returnate la o unitate de reciclare compatibilă cu mediul. Consultați autoritățile locale sau distribuitorii cu amănuntul pentru sfaturi și informații despre punctele de colectare pentru reciclare.



Purtați întotdeauna ochelari de protecție atunci când utilizați aparatul.

 $n_0$ 

Nicio viteză de încărcare.

 $V$ 

Volți

 $\text{min}^{-1}$ 

per minut



Curent direct



ATENȚIE! AVERTISMENT! PERICOL!

## Informații utile

## Țara de origine

People's Republic of China

## Site web

Informațiile referitoare la Produsele, Accesoriile, Piese de schimb și Publicațiile noastre se găsesc pe site-ul web Rodcraft.

Vă rugăm să vizitați: [www.rodcraft.com](http://www.rodcraft.com).

## Fișă tehnică de securitate

Fișele tehnice de securitate descriu produsele chimice vândute de Rodcraft.

Pentru mai multe informații, consultați site-ul web Rodcraft [qr.cp.com/sds](http://qr.cp.com/sds).

## Drepturi de autor

© Copyright 2023, Desoutter GmbH, Edmund-Seng-Str. 3-5, 63477 Maintal, Germany

Toate drepturile rezervate. Este interzisă utilizarea sau copierea integrală sau parțială a conținutului. Acest lucru este valabil pentru mărcile comerciale, denumirile modelelor, numerele componentelor și schițe. A se utiliza exclusiv piese autorizate. Eventualele deteriorări sau defecțiuni cauzate prin utilizarea de piese neautorizate nu sunt acoperite de garanție, nici de certificatul de conformitate.

## Teknik Veriler

### Ürün açıklaması

Bkz. *Schema 2*.

1	Yumuşak sap
2	Hız ayar düğmesi
3	Pil paketi
4	Pil paketinin düğmesi
5	Çalışma lambası
6	Hız ayar gösterge lambası
7	Anahtar tetiği
8	Ters yön düğmesi
9	Kare tahrik
10	Alüminyum kapak

## Beyanlar

### AB Uygunluk Beyanı

Biz, **Desoutter GmbH**, Edmund-Seng-Str. 3-5, 63477 Maintal, Germany tamamen kendi sorumluluğumuz altında, ürünün (adı, tipi ve seri numarası ile, ön sayfaya bakınız) aşağıdaki Direktif(ler)e uygun olduğunu beyan ederiz:

**2006/42/EC; 2011/65/EU; 2014/30/EU**

Uygulanan uyumlaştırılmış standartlar:

**EN 62841-1:2015/A11:2022; EN 62841-2-2:2014; EN IEC 55014-1:2021; EN IEC 55014-2:2021; EN 62233:2008**

Yetkililer ilgili teknik bilgileri şuradan talep edebilirler:

Pascal Roussy, R&D Manager, Ets Georges Renault, 38 rue Bobby Sands, BP10273 44818 Saint Herblain, France

**Saint-Herblain, 2023/08/28**

**Pascal ROUSSY**



İmza

### Gürültü ve Titreşim Açıklaması

Açıklama	RC9067	RC9077	RC9087
Ses basıncı (K=3) (dB(A))	92,3	88,4	88,4
Ses gücü (K=3) (dB(A))	100,3	96,4	96,4
Titreşim (K=1,5) (m/s <sup>2</sup> )	5,45	8,15	8,15

Ses basıncı, ses gücü ve titreşim değerleri EN 62841-2-2:2014 + AC:2015 ile uyumludur.

Beyan edilen bu değerler, belirtilen standartlara göre yapılan laboratuvar tipi testlerle elde edilmiştir ve aynı standartlara göre test edilen diğer aletlerin beyan edilen değerlerini karşılaştırmak için uygundur. Titreşim emisyon seviyesi bir ilk maruziyet değerlendirmesi için kullanılabilir. Beyan edilen bu değerler, risk değerlendirmelerinde kullanmak için yeterli değildir ve bireysel iş yerlerinde ölçülen değerler daha yüksek olabilir. Gerçek maruz kalma değerleri ve bireysel kullanıcının görebileceği zarar riski duruma özgüdür ve kullanıcının çalışma şekline, iş parçasına ve iş istasyonu tasarımı ile kullanıcının maruz kalma süresi ve fiziksel durumuna bağlıdır.

**Desoutter GmbH** olarak, üzerinde kontrolümüz olmayan bir işyeri durumunda gerçekleşen bireysel bir risk değerlendirmesinde gerçek maruziyeti yansıtan değerler yerine beyan edilen değerlerin kullanılmasının sonuçlarından sorumlu tutulamayız.

Bu alet, kullanımı yeterli derecede yönetilmediğinde el-kol titreşimi sendromuna yol açabilir. El-kol titreşimini yönetmekle ilgili AB kılavuzuna <http://www.pneurop.eu/index.php> sitesinde, 'Tools' (Araçlar) ve 'Legislation' (Mevzuat) seçeneğinden ulaşılabilir.

Gürültü veya titreşime maruz kalma ile ilgili olabilecek erken belirtileri tespit etmek için bir sağlık gözetimi programı öneriyoruz, böylece yönetim prosedürleri gelecekteki bozulmaları önlemeye yardımcı olacak şekilde değiştirilebilir.

- ⓘ Eğer bu ekipman sabitlenen uygulamalara yönelikse: Gürültü emisyonu makine üreticisi için bir kılavuz olarak verilmiştir. Makinenin tamamı için gürültü ve titreşim emisyon verileri makinenin kullanım kılavuzunda verilmelidir.

### Bölgesel Gereklilikler

#### ⚠ UYARI

Bu ürün Kaliforniya eyaleti tarafından kansere ve doğum kusurlarına veya diğer üreme rahatsızlıklarına neden olduğu bilinen kurşun dahil olmak üzere çeşitli kimyasallara maruz kalmanıza neden olabilir. Daha fazla bilgi için <https://www.p65warnings.ca.gov/> adresini ziyaret edin <https://www.p65warnings.ca.gov/>

### REACH Madde 33 ile ilgili bilgiler

Kimyasalların Tescili, Değerlendirilmesi, İzni ve Kısıtlanması (REACH) ile ilgili 1907/2006 sayılı Avrupa Yönetmeliği (AB), tedarik zincirinde iletişim ile ilgili diğer gereklilikleri tanımlamaktadır. Bilgi gereklilikleri ayrıca Çok Yüksek Endişe Verici Maddeler ("Aday Listesi") içeren ürünler için de geçerlidir. 27 Haziran 2018 tarihinde Aday Listesine kurşun metali (CAS No. 7439-92-1) eklenmiştir.

Yukarıdaki bilgilere göre bu, ürünlerdeki belirli elektrikli bileşenlerin kurşun metali içerebileceğini bildirmektir. Bu, yürürlükteki madde kısıtlama mevzuatına uygundur ve RoHS Yönergesindeki (2011/65/EU) yasal muafiyetlere dayanmaktadır. Kurşun metali normal kullanım sırasında üründen sızıntı yapmaz veya mutasyona uğramaz ve tüm ürünlerdeki kurşun metali konsantrasyonu geçerli eşik sınırının oldukça altındadır. Lütfen ürünün kullanım ömrü sonunda kurşunu bertarafı konusunda ilgili yerel gereklilikleri dikkate alın.

## Güvenlik

ATMAYIN - KULLANICIYA VERİN

**⚠ UYARI Bu elektrikli alet ile birlikte verilen tüm güvenlik uyarılarını, talimatlarını, resimlerini ve spesifikasyonlarını okuyun.**

Aşağıda belirtilen tüm talimatlara uyulmaması elektrik çarpmasına, yangına ve/veya ciddi yaralanmalara yol açabilir.

**Gelecekte başvurmak üzere bütün uyarıları ve talimatları saklayın.**

**⚠ UYARI Kurulum, kullanım ve bakıma ilişkin tüm yerel güvenlik kurallarına her zaman uyulmalıdır.**

### Kullanım Beyanı

- Sadece profesyonel kullanım içindir.
- Bu ürün ve parçalarının hiçbir şekilde tadil edilmemesi gerekir.
- Bu ürün hasar görmüşse kullanmayın.
- Ürün verileri veya tehlike uyarı işaretleri okunamaz hale gelirse veya sökülürse, zaman kaybetmeden yenileyin.
- Ürün endüstriyel bir ortamda sadece nitelikli personel tarafından kurulmalı, çalıştırılmalı ve servisi yapılmalıdır.

### Kullanım Amacı

Bu ürün yalnızca bu kılavuzdaki talimatları ve uyarıları okuyup anlayan ve eylemlerinden sorumlu tutulabilecek yetişkinler tarafından kullanılmak üzere tasarlanmıştır.

- Bu ürün ahşap, metal veya plastikteki dişli bağlantı elemanlarını takmak ve çıkarmak için tasarlanmıştır.
- Ürünü yukarıda açıklanmayan başka bir amaç için kullanmayın.
- Sadece iç mekanda kullanım.
- Başka hiçbir kullanıma izin verilmez.

Yalnızca aşağıdaki pil paketlerini ve şarj cihazlarını kullanın.

RC20BA20: 8951000467

RC20BA40: 8951000468

RC20BA60: 8951000469

Pil paketleri sadece Rodcraft pil şarj cihazları ile şarj edilebilir.

RC20CHEU: 8951000470

RC20CHUK: 8951000471

Tam talimatlar için pil paketi şarj cihazının Güvenlik Bilgilerine bakın (Basılı materyal No. 8956002313).

## Genel Elektrikli Alet Güvenlik Uyarıları

**⚠ UYARI Bu ürünle birlikte verilen tüm güvenlik uyarılarını, talimatları, gösterimleri ve spesifikasyonları okuyun.**

Aşağıda belirtilen tüm talimatlara uymamak, elektrik çarpmasına, yangına, maddi zarara ve/veya ciddi kişisel yaralanmaya yol açabilir.

**Bütün uyarıları ve talimatları ileride kullanmak için saklayın.**

Uyarılardaki "elektrikli alet" terimi şebeke elektriği ile çalıştırılan (kablolu) elektrikli aletleri veya pil ile çalıştırılan (kablosuz) elektrik aletleri içermektedir.

### Çalışma alanının güvenliği

- **Çalışma alanını temiz tutun ve iyi aydınlatın.** Dağınık veya karanlık alanlar kazalara davetiye çıkarır.
- **Elektrikli aletleri yanıcı sıvılar, gazlar ya da tozların bulunduğu yerler gibi patlayıcı ortamlarda kullanmayın.** Elektrikli aletler, toz veya dumanları tutuşturma bilecek kıvılcımlar çıkarır.
- **Elektrikli aletleri kullanırken çocukları ve çevredekileri uzak tutun.** Dikkat dağınıklığı kontrolü kaybetmenize yol açabilir.

### Elektrik güvenliği

- **Borular, radyatörler, ocak ve buzdolapları gibi topraklanmış yüzeylere vücut temasından kaçının.** Vücudunuz toprağa temas ediyorsa, elektrik çarpması riski daha yüksektir.
- **Elektrikli aletleri yağmura ya da ıslak ortamlara maruz bırakmayın.** Elektrikli bir alete su girmesi, elektrik çarpması riskini arttıracaktır.

### Kişisel güvenlik

- **Elektrikli bir aleti kullanırken uyanık kalın, ne yaptığınıza dikkat edin ve sağduyunuzu kullanın.** Elektrikli bir aleti yorgunken ya da uyuşturucu, alkol veya ilaç tedavisi etkisi altındayken kullanmayın. Elektrikli aletleri kullanırken bir anlık dikkatsizlik ciddi kişisel yaralanma ile sonuçlanabilir.
- **Kişisel koruyucu ekipman kullanın. Daima göz koruması kullanın.** Uygun koşullar için kullanılan toz maskesi, kaymayan güvenlik ayakkabıları, baret veya işitme koruması gibi koruyucu ekipmanlar kişisel yaralanmaları azaltacaktır.
- **İstem dışı çalıştırmaları önleyin. Güç kaynağına ve/veya pil paketine bağlamadan, aleti kaldırmadan ya da taşımadan önce düğmenin kapalı konumda olduğundan emin olun.** Elektrikli aletleri parmağınız düğme üzerinde olacak şekilde taşımak ya da açık konumdaki elektrikli aletleri elektriğe bağlamak kazalara davetiye çıkarır.
- **Elektrikli aleti çalıştırmadan önce üzerindeki her türlü ayarlama anahtarını çıkartın.** Elektrikli aletin dönen bir parçasının üzerinde kalan bir anahtar kişisel yaralanmalara neden olabilir.
- **Ulaşılmaz güç yerlerde kullanmayın. Her zaman ayaklarınızı yere uygun bir şekilde basın ve dengeyi koruyun.** Bu, beklenmeyen durumlarda elektrikli aletin daha iyi kontrol edilebilmesini sağlar.

- Uygun biçimde giyinin. Takı takmayın veya bol kıyafetler giymeyin. Saçınızı ve kolyenizi hareketli parçalardan uzak tutun. Bol giysiler, takılar veya uzun saç hareketli parçalara takılabilir.
- Cihazlar toz giderme ve toplama aletlerinin bağlanmasına uygunsa, bunların bağlı olduklarından ve düzgün kullanıldığından emin olun. Toz toplayıcının kullanılması, tozla ilgili tehlikeleri azaltabilir.
- Aletlerin sıklıkla kullanımından edinilen aşinalığın rahatlamaya ve alet güvenliği prensiplerini gözardı etmenize yol açmasına izin vermeyin. Dikkatsizce yapılan bir işlem bir anda ciddi bir yaralanmaya neden olabilir.
- Bağlantı elemanının gizlenmiş bir kabloya temas edebileceği yerlerde kullanırken, elektrikli aleti yalıtılmış kavrama yüzeylerinden tutun. “Elektrikli” bir kabloya temas eden bağlantı elemanları, elektrikli aletin açtığı metal parçaları “elektrikli” hale getirebilir ve operatöre elektrik çarpmasına neden olabilir.

#### Elektrikli alet kullanımı ve bakımı

- Elektrikli aleti zorlamayın. Uygulamanız için doğru elektrikli aleti kullanın. Doğru elektrikli alet tasarlandığı hızda işi daha iyi ve daha güvenli yapacaktır.
- Açma ve kapama düğmesi çalışmıyorsa, elektrikli aleti kullanmayın. Düğme ile kontrol edilemeyen her elektrikli alet tehlikelidir ve mutlaka tamir edilmelidir.
- Herhangi bir ayarlama, aksesuar değişimi yapmadan ya da elektrikli aleti saklamadan önce fişi güç kaynağından ve/veya pil paketini elektrikli aletten çıkarın (çıkartılabiliyorsa). Bu tür önleyici güvenlik tedbirleri, elektrikli aletin kazayla çalışması riskini azaltır.
- Elektrikli aleti çocukların erişemeyeceği yerde saklayın ve elektrikli aleti veya bu talimatları bilmeyen kişilerin elektrikli aleti kullanmalarına izin vermeyin. Elektrikli aletler, eğitimsiz kullanıcıların ellerinde tehlikelidir.
- Elektrikli aletleri ve aksesuarları saklayın. Hareketli parçaların yanlış hizalanması veya bağlanması, parçaların kopması veya elektrikli aletin çalışmasını etkileyebilecek diğer herhangi bir durum için kontrol edin. Hasarlı ise, elektrikli aleti kullanmadan önce tamir ettirin. Çoğu kaza elektrikli aletlerin yetersiz bakımından kaynaklanır.
- Kesici aletleri, keskin ve temiz tutun. Bakımı düzgün yapılmış keskin ağızlı kesici aletlerin sıkışma ihtimali daha azdır ve kontrol etmesi daha kolaydır.
- Elektrikli aleti, aksesuarları ve parçaları vb. bu talimatlara uygun olarak, çalışma koşullarını ve yapılacak işi dikkate alarak kullanın. Elektrikli aletin amaçlanandan farklı işler için kullanılması tehlikeli durumlara neden olabilir.
- Tutamakları ve kavrama yüzeylerini kuru, temiz ve yağ ile gresten arındırılmış halde tutun. Kaygan tutamaklar ve kavrama yüzeyleri beklenmedik durumlarda aletin güvenli bir şekilde tutulmasını ve kontrolünü olanaksız kılar.

#### Pilli aletin kullanımı ve bakımı

- Sadece üretici tarafından belirtilen şarj cihazıyla şarj edin. Bir pil paketi türü için uygun olan şarj cihazı, başka bir pil paketi ile birlikte kullanıldığında yangın riski oluşturabilir.
- Elektrikli aletleri sadece özellikle belirtilen pil paketleriyle kullanın. Başka bir pil paketinin kullanılması yaralanma ve yangın riski oluşturabilir.
- Pil paketi kullanılmadığında, bir terminalle diğer terminal arasında bağlantı oluşturabilecek kağıt ataclar, bozuk paralar, anahtarlar, çiviler, vidalar gibi diğer küçük metal nesnelere uzak tutun. Pil terminallerinin kısa devre yapılması, yanık veya yangına neden olabilir.
- Kötü kullanım koşullarında, pilden sıvı çıkabilir; bu sıvıya temas etmeyin. Yanlışlıkla temas edilirse, suyla yıkayın. Sıvı gözlere temas ederse, tıbbi yardım alın. Pilden çıkan sıvı, tahriş veya yanıklara neden olabilir.
- Hasarlı veya değiştirilmiş bir pil paketini veya aleti kullanmayın. Hasarlı veya değişiklik yapılmış bataryalar yangına, patlamaya veya yaralanma riskine neden olan beklenmedik davranışlar gösterebilirler.
- Bir pil paketini veya aleti yangın ya da aşırı sıcaklığa maruz bırakmayın. Ateşe veya 130°C'nin üzerinde sıcaklığa maruz bırakmak patlamaya neden olabilir.
- Tüm şarj etme talimatlarına uyun ve talimatlarda belirtilen sıcaklık aralığının dışında pil paketini veya aleti şarj etmeyin. Uygun olmayan şekilde ya da belirtilen aralık dışındaki sıcaklıklarda şarj etmek pile zarar verebilir ve yangın riskini artırabilir.

#### Service

- Elektrikli aletinizi, sadece orijinal yedek parça kullanan yetkili tamircilere servis ettirin. Bu, elektrikli aletin güvenli bakımını sağlayacaktır.
- Hasarlı pil paketlerine asla bakım yapmayın. Pil paketlerinin bakımı sadece üretici veya yetkili servis sağlayıcılar tarafından yapılmalıdır.

#### Ürüne Özel Talimatlar

##### Aletin çalıştırılması

1. Aleti uygun bir sokete bağlayın.
2. Hız ayar düğmesini (2) kullanarak doğru modu ayarlayın.
3. Ters yön düğmesini (8) kullanarak doğru yönü seçin.
4. Aleti bu dokümanda açıklanan güvenlik talimatlarına göre yerleştirin.
5. Anahtar tetiğine (7) basın ve basılı tutun.
6. Çalışma sonuna kadar tetiği (7) basılı tutun.

#### ⚠ UYARI Yaralanma riski

Sıkma torkuyla orantılı olarak reaksiyon kuvveti arttıkça beklenmeyen alet davranışı nedeniyle operatörün bendenel yaralanma riski söz konusudur.

- Aletin kusursuz çalıştığından ve sistemin doğru şekilde programlandığından emin olun.



## Akü

Uzun süre kullanılmayan pil paketleri kullanılmadan önce şarj edilmelidir.

50 °C (122 °F) üzerindeki sıcaklıklar pil paketinin performansını düşürür. Isıya veya güneş ışığına uzun süre maruz kalmaktan kaçınınız (aşırı ısınma riski).

Şarj cihazlarının ve pil paketlerinin temas noktaları temiz tutulmalıdır.

En ideal kullanım ömrü için pil paketleri kullanımdan sonra tam olarak şarj edilmelidir. Mümkün olan en uzun pil ömrünü elde etmek için pil paketini tamamen şarj olduktan sonra şarj cihazından çıkarınız.

Pil paketi, aşırı yüklenmeye karşı koruyan ve uzun ömür sağlamaya yardımcı olan aşırı yük korumasına sahiptir. Aşırı stres altında pil elektroniği ürünü otomatik olarak kapatır. Yeniden başlatmak için ürünü kapatıp tekrar açın. Ürün tekrar çalışmazsa pil paketi tamamen boşalmış olabilir. Bu durumda pil şarj cihazında yeniden şarj edilmelidir.

## Bakım talimatları

- **Bütün bileşenlerin güvenli kullanım ve bertarafı hakkındaki yerel ülkenin çevre yönetmeliklerine uyun.**
- Bakım ve onarım çalışmaları ancak yetkili personel tarafından ve orijinal yedek parçalar kullanılarak gerçekleştirilmelidir. Teknik servis konusunda tavsiye için veya yedek parça gerektiğinde üretici veya size en yakın yetkili bayi ile irtibata geçin.
- Kazara çalışmasını önlemek için her zaman makinenin elektrik bağlantısının kesildiğinden emin olun.
- Alet her gün kullanılıyorsa, aleti her üç 3 ayda bir sökün ve inceleyin. Hasarlı veya aşınmış parçaları değiştirin.
- Plastik parçalara asla fren sıvıları, benzin, petrol bazlı ürünler, içeri sızan yağlar, vs. temas etmesine izin vermeyin. Kimyasallar, plastiğe zara verebilir, onu zayıflatabilir veya bozabilir ve bu da ağır yaralanmalara neden olabilir.
- Plastik parçaları temizlerken solvent kullanmaktan kaçınınız. Plastiklerin çoğu, farklı ticari solvent tiplerinden kaynaklanan hasara karşı hassastır ve bunların kullanılması sonucunda zarar görebilir. Kir, toz, yağ, gres yağı, vs. temizlemek için temiz bez kullanın.

## İmha

- Bu ekipmanın atılması, ilgili ülkenin mevzuatına uygun olmalıdır.
- Tüm hasarlı, kötü aşınmış veya yanlış çalışan cihazların **KULLANIMDAN ÇIKARILMASI GEREKMEKTEDİR.**
- Sadece teknik bakım personeli tarafından onarılmalıdır.

## Tornavidalar ve anahtarlar için ek Güvenlik Talimatı

### Takılma tehlikeleri

- **Döner tahrikten uzak durun.** Giysiler, eldivenler, takılar, kolyeler ve saçlar, aletten ve aksesuarlardan uzak tutulmazsa, boğulmaya, soyulmalara ve / veya yırtılmalara neden olabilir.

- **Bol gelen eldivenleri veya kesik veya yıpranmış parmaklara sahip eldivenleri giymeyin.** Eldivenler döner tahriğe takılarak parmakların kopmasına veya kırılmasına neden olabilir.
- **Döner tahrik soketleri ve tahrik uzantıları kolaylıkla kauçuk kaplı veya metal takviyeli eldivenlere takılabılır.**
- **Tahriği, soketi veya tahrik uzantısını asla tutmayın.**

### Kullanım tehlikeleri

- **Operatörler ve bakım personeli, aletin büyüklüğünü, ağırlığını ve gücünü fiziksel olarak taşıyabilecek durumda olmalıdır.**
- **Aleti düzgün tutun: normal veya ani hareketlere karşı etki sağlamaya hazır olun.** İki eliniz de kullanılabilir olsun.
- **Kavramayı ayarladıktan hemen sonra, doğru çalışıp çalışmadığını kontrol edin.**
- **Aşınmış durumda kullanmayın.** Kavrama çalışmayarak, alet tutamağının aniden dönmesine neden olabilir.
- **Son sıkma ve ilk gevşetme sırasındaki ani tork reaksiyonunun etkisini azaltmak için, her zaman aletin kolunu güvenli bir şekilde, mil dönüş yönünün tersine doğru destekleyin.**
- **Mümkünse, reaksiyon torkunu absorbe etmek için bir askı kolu kullanın.** Eğer bu mümkün değilse, düz ve kabızlı aletler için yan tutamaklar önerilir; reaksiyon çubukları açılı somun sıkma aletleri için önerilir. Her koşul altında, düz aletler için 4 Nm (3 lbf.ft) üzerindeki, kabızlı aletler için 10 Nm (7.5 lbf.ft) üzerindeki ve açılı somun sıkma aletleri için 60 Nm (44 lbf.ft) üzerindeki reaksiyon torkunu absorbe etmek için bir destekleyici eleman kullanılması önerilir.

### Fırlama tehlikeleri

- **Çalıştırma göreviniz varsa veya alete yakın çalışıyorsanız, aletin bakım veya onarımını yapıyor veya alette aksesuar değiştiriyorsanız, daima darbeye dayanıklı göz ve yüz koruması takın.**
- **Alandaki diğer herkesin darbeye dayanıklı göz ve yüz maskesi kullandığından emin olun.** Küçük parçacıklar bile gözleri yaralayabilir ve körlüğe neden olabilir.
- **Belirli bir tork gerektiren tertibatlar bir tork ölçer kullanılarak kontrol edilmelidir.** "Cırcırlı" tork anahtarları adı verilen anahtarlar, potansiyel olarak tehlikeli fazla tork uygulanmış koşulları kontrol etmez. Aşırı veya az tork uygulanmış bağlantı elemanlarının kopması, gevşemesi ve ayrılması sonucunda ciddi yaralanmalar oluşabilir. Dağıtılan parçalardan fırlayan parçalar çıkabilir.
- **El soketlerini kullanmayın.** Sadece iyi durumdaki elektrikli veya darbeli soketler kullanın.
- **Bu alet ve aksesuarları hiçbir şekilde değiştirilmemelidir.**

### Tekrarlanan hareket tehlikeleri

- **İşe ilişkin aktivitelerde bulunurken elektrikli bir alet kullanıldığı zaman, operatör ellerde, kollarda, omuzlarda, boyunda ve vücudun diğer kısımlarında rahatsızlık hissedebilir.**

- Yere sağlam basarak ve uygunsuz veya dengeyi bozacak duruşlardan kaçınarak konforlu bir duruş benimseyin. Uzun süren işlerde duruşun değiştirilmesi rahatsızlığın ve yorgunluğun önlenmesine yardımcı olabilir.
- Devamlı veya yinelenen rahatsızlık, acı, çarpıntı, ağrı, karıncalanma, uyuşma, ateş basması veya gerginlik gibi belirtileri göz ardı etmeyin. Aleti kullanmayı bırakın, işvereninize haber verin ve bir doktora başvurun.

#### İşyeri tehlikeleri

- Kayma/Takılma/Düşme önemli bir yaralanma veya ölüm sebebidir. Dağınık alanlar ve çalışma tezgahları, yaralanmalara davetiye çıkarır.
- Dar alanlarda kullanmayın. Ellerin alet ve iş parçası arasına sıkışmamasına, özellikle sökerken dikkat edin.
- Yüksek ses düzeyleri kalıcı işitme kaybına neden olabilir. İşvereninizin tavsiye ettiği veya iş sağlığı ve güvenliği yönetmeliklerinde belirtilen işitme koruması kullanın.
- İş parçasının sıkı bir şekilde bağlandığından emin olun.
- Tekrarlı çalışma hareketleri, tuhaf pozisyonlar ve vibrasyona maruz kalma eller ve kollar için zararlı olabilir. Ciltte duyarlılık, karıncalanma, ağrı veya beyazlama oluşursa, aleti kullanmayı bırakın ve doktora başvurun.
- Bilmediğiniz ortamlarda dikkatli olun. İş aktivitenizin oluşturduğu potansiyel tehlikelere dikkat edin. Bu alet, elektrik gücü kaynaklarına temasa karşı izolasyonlu değildir.

#### İşaretler ve Etiketler

Ürün, kişisel emniyete ve ürün bakımına ilişkin önemli bilgiler içeren işaretlerle ve etiketlerle donatılmıştır. İşaretler ve etiketler her zaman kolaylıkla okunabilmelidir. Yeni işaretler ve etiketler yedek parça listesi kullanılarak sipariş edilebilir.



s011050

#### Simgeler



Makine üzerinde herhangi bir işe başlamadan önce, akü paketini sökün.



Lütfen makineyi başlatmadan önce talimatları dikkatli bir biçimde okuyun.



Elektrikli aletleri evsel atık malzemeleriyle birlikte atmayın. Kullanım ömürleri dolmuş olan elektrikli aletler ve elektronik ekipmanlar ayrı toplanmalı ve çevre koruma açısından uygun bir geri dönüşüm tesisine geri gönderilmelidir. Geri dönüşüm önerileri ve toplama noktaları için bölgenizdeki yetkili makamlar veya bayinizle irtibata geçin.



Makineyi kullanırken her zaman koruyucu gözlük kullanın.

n<sub>0</sub>

Yüksüz hız.

V

Volt

dk<sup>-1</sup>

dakika başına



Doğru Akım



DİKKAT! UYARI! TEHLİKE!

## Faydalı Bilgiler

### Menşei ülke

People's Republic of China

### Web sitesi

Ürünlerimiz, Aksesuarlarımız, Yedek Parçalarımız ve Yayımlanmış Makalelerimizle ilgili bilgileri Rodcraft web sitesinde bulabilirsiniz.

Lütfen ziyaret edin: [www.rodcraft.com](http://www.rodcraft.com).

### Güvenlik Bilgi Formu

Güvenlik Bilgi Formları Rodcraft tarafından satılan kimyasal ürünleri tanımlamaktadır.

Daha fazla bilgi için lütfen Rodcraft web sitesini [qr.cp.com/sds](http://qr.cp.com/sds) ziyaret edin.

### Telif Hakkı

© Copyright 2023, Desoutter GmbH, Edmund-Seng-Str. 3-5, 63477 Maintal, Germany

Her hakkı saklıdır. İçeriğin veya bir kısmının izinsiz kullanımı veya kopyalanması yasaktır. Bu özellikle ticari markalar, model adları, parça numaraları ve çizimler için geçerlidir. Yalnızca onaylanmış parçaları kullanın. Onaylanmamış parçaların kullanımından kaynaklanan herhangi bir hasar veya arıza Garanti veya Ürün Sorumluluğu kapsamında değildir.

## Технически данни

### Описание на продукта

Направете справка със *Schema 2*.

1	Мека дръжка
2	Бутон за регулиране на скоростта
3	Пакет батерии
4	Бутон на пакета батерии
5	Работна лампа
6	Индикаторна лампа за регулиране на скоростта
7	Превключвател на спусъка
8	Бутон за обратен ход
9	Квадратно задвижващо устройство
10	Алуминиев капак

## Декларации

### Декларация за съответствие ЕС

Ние, **Desoutter GmbH**, Edmund-Seng-Str. 3-5, 63477 Maintal, Germany, декларираме на своя лична отговорност, че продуктът (с наименование, тип и сериен номер, вж. заглавната страница) е в съответствие със следната(ите) Директива(и):

**2006/42/ЕС; 2011/65/EU; 2014/30/EU**

Приложени хармонизирани стандарти:

**EN 62841-1:2015/A11:2022; EN 62841-2-2:2014; EN IEC 55014-1:2021; EN IEC 55014-2:2021; EN 62233:2008**

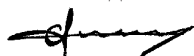
Властите могат да поискат съответната техническа информация от:

Pascal Roussy, R&D Manager, Ets Georges Renault, 38 rue Bobby Sands, BP10273 44818 Saint Herblain, France

**Saint-Herblain, 2023/08/28**

**Pascal ROUSSY**

Подпис



### Декларация за шум и вибрации

Описание	RC9067	RC9077	RC9087
Ниво на звуково налягане (K=3) (dB(A))	92,3	88,4	88,4
Ниво на звукова мощност (K=3) (dB(A))	100,3	96,4	96,4
Вибрации (K=1,5) (m/s <sup>2</sup> )	5,45	8,15	8,15

Стойностите на звуковото налягане, звуковата мощност и вибрациите са в съответствие със стандарти EN 62841-2-2:2014 + AC:2015.

Тези декларираните стойности са получени при изпитвания от лабораторен тип в съответствие с посочените стандарти и са подходящи за сравнение с декларираните стойности на други инструменти, изпитвани в съответствие със същите стандарти. Нивото на вибрационните емисии може да се използва за предварителна оценка на експозицията. Тези декларираните стойности не са подходящи за използване при оценка на риска, тъй като стойностите, измерени на отделните работни места, могат да бъдат по-високи. Действителните стойности на излагането на въздействие и рискът от увреждания, понасяни от отделния потребител, са уникални и зависят от начина на работа на потребителя, работния елемент и конструкцията на работната станция, както и от времето на експозиция и физическото състояние на потребителя.

Ние, **Desoutter GmbH**, не поемаме отговорност за последствията от използването на декларираните стойности вместо на стойности, отразяващи действителното излагане на въздействие при индивидуална оценка на риска в ситуация на реално работно място, над която нямаме контрол.

Този инструмент може да причини вибрационен синдром на ръката и рамото, ако употребата му не се управлява адекватно. Можете да намерите ръководството на ЕС за

управление на вибрациите ръка-рамо, като посетите <http://www.pneurop.eu/index.php> и изберете Tools (Инструменти), а след това - Legislation (Законодателство).

Препоръчваме провеждането на програма за здравен надзор за откриване на ранни симптоми, които може да са свързани с излагането на шум и вибрации, така че работните процедури да бъдат модифицирани с цел предотвратяване на бъдещи увреждания.

- i** Ако това оборудване е предназначено за неподвижни приложения:  
Емисиите на шум са посочени като указание за машиностроителя. Данните за емисиите на шум и вибрации за цялата машина трябва да са посочени в ръководството за потребителя на машината.

### Регионални изисквания

#### **⚠ ПРЕДУПРЕЖДЕНИЕ**

Този продукт може да ви изложи на контакт с химикали, включително олово, за което в щата Калифорния е известно, че причинява рак и вродени малформации или други вреди по отношение на възпроизводителната способност. За допълнителна информация посетете

<https://www.p65warnings.ca.gov/>

### Информация във връзка с чл. 33 от REACH (Регламент относно регистрацията, оценката, разрешаването и ограничаването на химикали)

Европейски регламент (ЕС) №1907/2006 относно регистрацията, оценката, разрешаването и ограничаването на химикали (REACH) определя, освен други неща, изискванията, свързани с комуникациите във веригата на доставките. Изискването за информация се отнася също и за продукти, съдържащи т. нар. вещества, пораждащи сериозно безпокойство (“списък на кандидати”). На 27 юни 2018 г. металът олово (CAS № 7439-92-1) беше добавен към списъка на кандидатите.

Във връзка с гореспоменатото бихме искали да ви информираме, че определени електрически компоненти в продукта може да съдържат метала олово. Това е в съответствие с настоящето законодателство за ограничаване на веществата и въз основа на законовите изключения в Директивата за ограничаването за употребата на определени опасни вещества в електрическото и електронното оборудване (RoHS) (2011/65/EU). Металът олово няма да изтече от продукта или да се видоизмени в него по време на нормална употреба, и концентрацията на метала олово в цялостния продукт е значително под приложимата прагова стойност. Моля, съобразете се с местните изисквания за изхвърляне на олово при изтичане на годността на продукта.

### Безопасност

НЕ ИЗХВЪРЛЯЙТЕ – ПРЕДАЙТЕ НА ПОТРЕБИТЕЛЯ

**⚠ ПРЕДУПРЕЖДЕНИЕ** Прочетете всички предупреждения за безопасност, инструкции, илюстрации и спецификации, предоставени с този електрически инструмент.

Неспазването на всички инструкции, посочени по-долу, може да доведе до токов удар, пожар и/или сериозни наранявания.

Запазете всички предупреждения и инструкции за бъдеща справка.

**⚠ ПРЕДУПРЕЖДЕНИЕ** Трябва да се спазват всички местни законови разпоредби за безопасност относно инсталация, работа и поддръжка.

### Декларация за употреба

- Само за професионална употреба.
- Този продукт и неговите принадлежности не могат да бъдат променяни по какъвто и да е начин.
- Не използвайте този продукт, ако е повреден.
- Ако означенията на данните на продукта или предупрежденията за опасност върху него престанат да бъдат четливи или се откачат, незабавно ги подменете.
- Продуктът трябва да бъде инсталиран, използван и обслужван единствено квалифицирани лица в индустриална среда.

### Предназначение

Този продукт е предназначен за употреба единствено от пълнолетни лица, които са прочели и разбрали инструкциите и предупрежденията в настоящото ръководство и могат да се смятат за отговорни за действията си.

- Този продукт е предназначен за монтиране и отстраняване на резбовани винтове в дърво, метал или пластмаса.
- Не използвайте продукта за никакви цели, различни от описаните тук.
- Употреба само на закрито.
- Не се разрешава използването му за други цели.

Използвайте само следните пакети батерии и зарядни устройства.

RC20BA20: 8951000467

RC20BA40: 8951000468

RC20BA60: 8951000469

Пакетите батерии трябва да се зареждат само със зарядни устройства Rodcraft.

RC20CHEU: 8951000470

RC20CHUK: 8951000471

За пълните инструкции направете справка с „Информацията за безопасност“ на зарядното устройство за пакета батерии (отпечатан материал №8956002313).

### Общи предупреждения за безопасност на електрически инструменти

**⚠ ПРЕДУПРЕЖДЕНИЕ** Прочетете всички предупреждения за безопасност, инструкции, илюстрации и спецификации, предоставени с този продукт.

Неспазването на всички инструкции посочени по-долу, може да доведе до токов удар, пожар, материални щети и/или сериозни наранявания.

Запазете всички предупреждения и инструкции за бъдеща справка.

Терминът "електрически инструмент" в предупрежденията се отнася за захранван от централната мрежа (с кабел) електрически инструмент или за такъв със захранване от батерия (без кабел).

#### Безопасност на работната зона

- **Поддържайте работната зона чиста и добре осветена.** Неподредените или тъмни работни зони предразполагат към инциденти.
- **Не използвайте електрически инструменти във взривоопасна обстановка, например в присъствие на запалими течности, газове или прах.** Инструментите генерират искри, които може да възпламенят праха или изпаренията.
- **Дръжте децата и страничните лица на разстояние, докато работите с електроинструменти.** Отвлечането на вниманието ви може да доведе до загуба на контрол.

#### Електрическа безопасност

- **Избягвайте контакт със заземени повърхности като тръби, радиатори, готварски печки и хладилници.** Съществува по-висок риск от токов удар, ако тялото ви е заземено.
- **Не излагайте електроинструментите на дъжд или влажни атмосферни условия.** Навлизането на вода в електрическия инструмент повишава риска от токов удар.

#### Лична безопасност

- **Бъдете нащрек, внимавайте с действията си и използвайте здравия си разум при работа с електроинструмента. Не използвайте електрическия инструмента, когато усещате умора или сте под въздействието на наркотици, алкохол или лекарства.** Миг невнимание при работа с електрически инструменти може да доведе до сериозно нараняване.
- **Използвайте лични предпазни средства. Винаги носете предпазни очила.** Защитната екипировка като противопрахова маска, неплъзгащи се защитни обувки, каска и антифони, подходящи за условията, ще намалят риска от наранявания.
- **Предотвратявайте неволно включване. Уверете се, че превключвателят е в позиция "Изключено", преди да свързвате инструмента към захранването и/или батериите, да го повдигате или носите.** Носенето на електрически инструменти с пръст,

поставен върху ключа, или подаването на захранване към електрически инструменти с превключвател на позиция "Включено" предразполага към инциденти.

- **Свалете всички затягащи или гаечни ключове, преди да включите електроинструмента.** Гаечен или регулиращ ключ, оставен на въртящата се част на електрическия инструмент, може да доведе до нараняване.
- **Не се протягайте твърде много. Дръжте краката си в подходящата позиция и пазете равновесие по всяко време.** Това позволява по-добър контрол върху електрическия инструмент при неочаквани ситуации.
- **Носете подходяща екипировка. Не носете свободни дрехи или бижута. Пазете косата и дрехите си далеч от движещите се части.** Свободните дрехи, бижутата или дългата коса могат да се закачат за подвижните части.
- **Ако са осигурени устройства за извличане и събиране на праха, се уверете, че те са свързани и се използват по предназначение.** Използването на устройства за събиране на прах намалява опасността от него.
- **Не позволявайте познанията, придобити от честото използване на инструменти, да бъдат предпоставка за игнориране на принципите за безопасна работа с инструменти.** Невниманието може да доведе до тежки наранявания в рамките на части от секундата.
- **Дръжте електроинструмента за изолираната материя на дръжката, когато извършвате дейности, при които затягащото устройство може да влезе в контакт със скрити кабели.** Когато крепежните елементи влязат в контакт с кабел под напрежение, могат да изложат металните части на електроинструмента на електрическо напрежение и да причинят токов удар на оператора.

#### Употреба и грижа за инструмента

- **Не прилагайте сила върху електроинструмента.** Използвайте подходящия електрически инструмент за вашата работа. Подходящият електрически инструмент ще работи по-добре и по-безопасно със скоростта, за която е конструиран.
- **Не използвайте електроинструмента, ако превключвателят не се включва и изключва.** Всеки инструмент, който не може да бъде управляван от превключвателя, е опасен и трябва да бъде поправен.
- **Извадете щепсела от захранването и/или пакета батерии, ако е разглобям, преди да извършвате всякакви настройки, смяна на аксесоари или да съхранявате електроинструментите.** Такива предпазни мерки намаляват риска от неволно включване на електрическия инструмент.
- **Съхранявайте електроинструментите далеч от деца и не позволявайте на лица, непознати с електроинструмента или с тези инструкции, да го използват.** Електрическите инструменти са опасни в ръцете на хора, необучени да ги ползват.

- **Поддържайте електрическите инструменти и техните принадлежности.** Проверявайте за разминаване или слепване на подвижните части, пропукване на части или други състояния, които могат да повлияят върху работата на инструмента. Ако е повреден, електрическият инструмент трябва да бъде поправен преди употреба. Много от инцидентите са причинени от зле поддържани електрически инструменти.
- **Пазете режещите инструменти остри и чисти.** Вероятността правилно поддържаните режещи инструменти с остри режещи ръбове да затегнат е по-малка и те се управляват по-лесно.
- **Използвайте електроинструмента, аксесоарите, крайниците и други съгласно тези инструкции, като имате предвид работните условия и работата, която ще бъде извършвана.** Употребата на електроинструмента за дейности, различни от предназначението му, може да доведе до опасни ситуации.
- **Пазете дръжките и повърхностите за захващане сухи и чисти, без масло и грес по тях.** Хлъзгавите дръжки и повърхности за захващане не позволяват безопасна работа и контрол върху инструмента в неочаквани ситуации.

#### Употреба и грижа за инструмента на батерии

- **Презареждайте само със зарядното устройство, определено от производителя.** Зарядно устройство, подходящо за един вид пакет батерии, може да създаде риск от пожар, когато се използва с друг пакет батерии.
- **Използвайте електроинструментите само с определените за тях пакети батерии.** Употребата на каквито и да било други пакети батерии може да създаде риск от наранявания или пожар.
- **Когато батериите не се използват, ги дръжте на разстояние от други метални предмети като кламери, монети, ключове, пирони, винтове и други малки метални предмети, които могат да създадат връзка от един терминал до друг.** Свързването на клемите на батерията на късо може да предизвика изгаряния или пожар.
- **При неправилна експлоатация от батерията може да изтече течност; избягвайте контакт.** При възникване на случаен контакт измийте с вода. Ако течността попадне в очите, потърсете и медицинска помощ. Течността от батерията може да предизвика възпаление или изгаряния.
- **Не използвайте повредени или изменени батерии или инструменти.** Употребата на повредени или изменени батерии може да доведе до непредсказуеми ефекти, които могат да бъдат предпоставка за пожар, експлозия или риск от нараняване.
- **Не излагайте батериите или инструмента на огън или прекалено висока температура.** Излагането на огън или температура над 130 °C може да доведе до експлозия.
- **Следвайте всички инструкции за зареждане и не зареждайте батериите или инструмента извън температурния диапазон, посочен в инструкциите.**

Неправилното зареждане или зареждане при температура извън посочения диапазон може да повреди батерията и да увеличи риска от пожар.

#### Сервизно обслужване

- **Обслужването на електроинструмента трябва да се извършва от квалифициран персонал, като се използват само идентични резервни части.** Това ще гарантира безопасността на инструмента.
- **Никога не обслужвайте повредени батерии.** Обслужването на пакетите батерии трябва да се извършва само от производителя или от оторизираните доставчици на услуги.

## Инструкции за този продукт

### Работа с инструмента

1. Поставете подходящия патронник върху инструмента.
2. Задайте правилния режим с помощта на бутона за регулиране на скоростта (2).
3. Изберете правилната посока с помощта на бутона за обратен ход (8).
4. Позиционирайте инструмента, като следвайте указанията за безопасност, описани в настоящия документ.
5. Натиснете и задръжте натиска върху превключвателя на спусъка (7).
6. Поддържайте натиска върху спусъка (7) до края на операцията.

#### ПРЕДУПРЕЖДЕНИЕ Риск от наранявания

Тъй като реактивната сила се увеличава пропорционално на затягащия въртящ момент, съществува риск от сериозни телесни наранявания на оператора в резултат на неочаквано поведение на инструмента.

- ▶ Уверете се, че инструментът е в отлично състояние за работа и системата е програмирана правилно.

### Батерия

Пакетите батерии, които не са били използвани известно време, трябва да се презареждат преди употреба. Температури над 50°C (122°F) влошават експлоатационните показатели на пакета батерии. Да не се допуска продължително излагане на топлина или слънчева светлина (риск от прегряване).

Контактите на зарядните устройства и на пакетите батерии трябва да се поддържат чисти.

За оптимален експлоатационен живот пакетите батерии трябва да се зареждат напълно след употреба. За да осигурите възможно най-дълъг експлоатационен живот на батерията, отделете пакета батерии от зарядното устройство, щом се зареди докрай.

Пакетът батерии има защита от претоварване, която го предпазва от това и помага за осигуряването на дълъг експлоатационен живот. При извънредно натоварване електрониката на батерията изключва продукта автоматично. За да рестартирате, изключете продукта и

след това го включете отново. Ако продуктът не стартира отново, възможно е батериите в пакета да са се изтозили напълно. В такъв случай те трябва да се заредят със зарядното устройство.

### Инструкции за поддръжка

- Следвайте екологичните разпоредби на съответната държава за безопасната употреба и изхвърляне на всички части.
- Работите по техническото обслужване и ремонта трябва да се извършват от квалифициран персонал с използване само на оригинални резервни части. Свържете се с производителя или с най-близкия официален търговски представител за съвети за техническо обслужване или ако се нуждаете от резервни части.
- Винаги проверявайте дали машината е изключена от електрическата мрежа, за да предотвратите случайно задействане.
- Разглобявайте и проверявайте инструмента на всеки 3 месеца, ако той се използва всеки ден. Подменяйте всички повредени или износени части
- Никога не допускайте пластмасови части да влизат в контакт със спирачна течност, бензин, нефтопродукти, проникващо масло и др. Химикалите могат да повредят, отслабят или унищожат пластмасата, което може да доведе до сериозно нараняване на хора.
- Не използвайте разтворители за почистване на пластмасови части. Повечето пластмаси са податливи на повреда от различни типове предлагани в търговската мрежа разтворители и могат да се повредят при използването на такива. За отстраняване на замърсяване, прах, масло, грес и др. използвайте чисти парцали.

### Изхвърляне

- Изхвърлянето на настоящото оборудване трябва да се извършва в съответствие със законодателството на съответната държава.
- Всички повредени, износени или неправилно функциониращи устройства **ТРЯБВА ДА БЪДАТ СПРЕНИ ОТ УПОТРЕБА.**
- Ремонт трябва да се извършва само от персонала по техническата поддръжка.

### Допълнителни правила за безопасност на отвертки и гаечни ключове

#### Опасности от заплитане

- **Стойте далеч от въртящия се механизъм.** Ако не държите свободното облекло, ръкавиците, бижутата и косата далеч от инструмента и аксесоарите, това може да доведе до удушаване, скалпиране и/или разкъсвания.
- **Не носете свободни ръкавици или ръкавици с изрязани пръсти.** Ръкавиците може да се заплетат във въртящия се механизъм, причинявайки нараняване или счупване на пръстите.

- Въртящият се механизъм и удължителите му могат лесно да захванат гумираните ръкавици или такива, подсилени с метал.
- Никога не хващайте механизма, гнездото или удължителя на механизма.

#### Опасности при работа

- Персоналът, работещ с инструмента и извършващ неговата поддръжка, трябва да бъде физически годен за работа с размерите, теглото и мощността на инструмента.
- Дръжте инструмента правилно: имайте готовност да реагирате при нормални или внезапни движения. И двете Ви ръце трябва да са на разположение.
- Незабавно след регулирането на съединителя проверете за правилна работа.
- Не използвайте в износено състояние. Съединителят може да не функционира и да причини внезапно завъртане на ръкохватката на инструмента.
- Винаги придържайте ръкохватката на инструмента стабилно в посока, противоположна на въртенето на шпиндела, за да намалите внезапния реактивен въртящ момент при окончателното затягане и първоначалното разхлабване.
- Ако е възможно, използвайте рамото за окачване за абсорбиране на реактивния въртящ момент. Ако това не е възможно, страничните ръкохватки се използват при инструменти с прав корпус или винтоверти; реакционните лостове се използват за ъглови гайковерти. При всички случаи се препоръчва да се използва метод за абсорбиране на реактивния въртящ момент над 4 Nm (3 lbf.ft) при инструменти с прав корпус, над 10 Nm (7.5 lbf.ft) при винтоверти и над 60 Nm (44 lbf.ft) за ъглови гайковерти.

#### Опасности от хвърчащи частици

- Винаги носете устойчиви на удар защитни очила и маска за лице, когато боравите с инструмента или сте в близост до него, при поправка или поддръжка на инструмента или когато сменят аксесоарите му.
- Уверете се, че околните носят устойчиви на удар защитни очила и маска за лице. Дори малките частици могат да наранят очите и да причинят ослепяване.
- Сглобките, изискващи определено затягане, трябва да бъдат проверявани с динамометричен ключ. Така наречените „щракащи“ динамометрични ключове не проверяват за потенциално опасни условия на пренатягане. Сериозни наранявания могат да бъдат причинени от пренатягане или недобро затягане на крепежните елементи, които могат да се счупят или да се разхлабят и отделят. Възможно е разхлабените сглобки да се разхвърчат.
- Не използвайте къси вложки. Използвайте единствено вложки за електрически или ударни гайковерти в добро състояние.

- Не модифицирайте инструмента и неговите принадлежности по какъвто и да е начин.

#### Опасности от повтарящи се движения

- Когато използва електроинструмент, за да извършва трудова дейност, операторът може да изпита дискомфорт в дланите, ръцете, раменете, врата и други части на тялото.
- Заемете удобна позиция, стъпили стабилно и избягвайки неудобен или небалансиран стоеж. Промяната на стоежа по време на продължителни задачи може да помогне за избягване на дискомфорта и умората.
- Не игнорирайте симптоми като постоянен или повтарящ се дискомфорт, болка, гуптене, изтръпване, вкочаненост, изгарящо усещане или схващане. Прекратете работата с инструмента, уведомете работодателя си и се консултирайте с лекар.

#### Опасности на работното място

- Подхлъзване/препъване/падане са основните причини за сериозни наранявания или смърт. Неподредените работни зони и работни маси предразполагат към наранявания.
- Не използвайте в тясно пространство. Внимавайте да не смачкате ръката си между инструмента и детайла, особено при отвинтване.
- Високите нива на шум могат да причинят постоянна загуба на слух. Използвайте защитни средства за слуха съгласно препоръките на Вашия работодател или разпоредбите, свързани със здравето и безопасността на работното място.
- Уверете се, че обработваният детайл е захванат здраво.
- Повтарящите се работни движения, неудобната поза и излагането на вибрации могат да причинят вреди на дланите и ръцете. Ако се появи вкочаненост, изтръпване, болка или побеляване на кожата, прекратете работа с инструмента и се консултирайте с лекар.
- При работа в непозната обстановка подхождайте с внимание. Осъзнавайте евентуалните опасности, създадени от трудовата Ви дейност. Този инструмент не е изолиран срещу контакт с източници на електрозахранване.

#### Знаци и стикери

Продуктът разполага със знаци и стикер, съдържащи важна информация за лична безопасност и поддръжка на продукта. Знаците и стикерите трябва винаги да бъдат лесни за четене. Могат да бъдат поръчани нови знаци и стикери чрез списъка на резервните части.



## Символи



Извадете батерията, преди да започнете работа по машината.



Моля прочетете инструкциите внимателно, преди да пуснете машината.



Електрическите инструменти да не се изхвърлят заедно с битовите отпадъци. Електрическите инструменти и електронното оборудване, които са достигнали края на експлоатационния си живот, трябва задължително да се събират отделно и да се върнат в пункт за рециклиране съгласно изискванията за опазване на околната среда. Поискайте от Вашите местни власти или от търговеца съвети за рециклиране и адрес на събирателен пункт.



Винаги носете предпазни очила при използване на машината.

$n_0$

Обороти без товар.

V

Волтове

мин<sup>-1</sup>

на минута



Постоянен ток



ВНИМАНИЕ! ПРЕДУПРЕЖДЕНИЕ!  
ОПАСНОСТ!

## Полезна информация

## Произход на продукта

People's Republic of China

## Уебсайт

Информация относно нашите продукти, аксесоари, резервни части и публикации можете да намерите на уебстраницата на Rodcraft.

Моля, посетете: [www.rodcraft.com](http://www.rodcraft.com).

## Страница с информация, свързана с безопасността

Страниците с данните, свързани с безопасността, описват химическите продукти, продавани от Rodcraft.

Моля, консултирайте се с уебстраницата на Rodcraft за допълнителна информация [qr.cp.com/sds](http://qr.cp.com/sds).

## Авторско право

© Copyright 2023, Desoutter GmbH, Edmund-Seng-Str. 3-5, 63477 Maintal, Germany

Всички права запазени. Забранява се всяко неразрешено използване или копиране на съдържанието или част от него. Това се отнася в частност за търговски марки, названия на модела, номера на части и чертежи. Използвайте само оригинални резервни части. Повреди или неизправности вследствие на употреба на неоригинални части не се покриват от гаранцията или отговорността за вреди, причинени от продукта.

## Технически подаци

## Opis proizvoda

Pogledajte *Schema 2*.

1	Meka ručka
2	Gumb za podešavanje brzine
3	Baterijski modul
4	Gumb za baterijski modul
5	Radno svjetlo
6	Indikatorsko svjetlo podešavanja brzine
7	Okidač prekidača
8	Gumb za unatrag
9	Četverokutni pogon
10	Aluminijski poklopac

## Izjave

## EU izjava o sukladnosti

Mi, **Desoutter GmbH**, Edmund-Seng-Str. 3-5, 63477 Maintal, Germany, izjavljujemo pod vlastitom odgovornošću da je proizvod (naziv, tip i serijski broj, vidi naslovnu stranu) u skladu sa sljedećom(im) direktivom(ama):

2006/42/EC; 2011/65/EU; 2014/30/EU

Primijenjene usklađene norme:

EN 62841-1:2015/A11:2022; EN 62841-2-2:2014; EN IEC 55014-1:2021; EN IEC 55014-2:2021; EN 62233:2008

Nadležna tijela mogu zahtijevati relevantne tehničke podatke od:

Pascal Roussy, R&D Manager, Ets Georges Renault, 38 rue Bobby Sands, BP10273 44818 Saint Herblain, France

Saint-Herblain, 2023/08/28

Pascal ROUSSY



Potpis

## Izjava o buci i vibracijama

Opis	RC9067	RC9077	RC9087
Zvučni tlak (K=3) (dB(A))	92,3	88,4	88,4
Zvučna snaga (K=3) (dB(A))	100,3	96,4	96,4
Vibracija (K=1,5) (m/s <sup>2</sup> )	5,45	8,15	8,15

Zvučni tlak, zvučna snaga i vrijednosti vibracija u skladu su s EN 62841-2-2:2014 + AC:2015.

Ovdje navedene vrijednosti dobivene su ispitivanjima u laboratoriju u skladu s navedenim normama i prikladne su za usporedbu s navedenim vrijednostima drugih alata ispitanih u skladu s istim normama. Razina emisije vibracija mogla bi se koristiti za pripremnu procjenu izloženosti. Ovdje navedene vrijednosti nisu prikladne za uporabu u analizama rizika, a vrijednosti izmjerene na pojedinačnim radnim mjestima mogu biti veće. Stvarne vrijednosti izlaganja i rizik od štetnosti koja može postojati za pojedinačnog korisnika su jedinstvene i



ovise o načinu rada korisnika, radnom komadu i konstrukciji radne stanice te o vremenu izlaganja i fizičkom stanju korisnika.

Mi, **Desoutter GmbH**, ne možemo se smatrati odgovornima za posljedice uporabe navedenih vrijednosti umjesto vrijednosti koje odražavaju stvarno izlaganje u pojedinačnoj procjeni rizika situacije koja se događa na radnom mjestu nad kojim nemamo nadzor.

Ovaj alat može izazvati sindrom vibriranja ruke ako se njime ne rukuje na odgovarajući način. Vodič EU-a o upravljanju vibriranjem ruke možete pronaći na stranici <http://www.pneurop.eu/index.php>: odaberite „Tools“ (Alati), a zatim „Legislation“ (Zakonodavstvo).

Preporučujemo program nadzora zdravlja da se uoče rani simptomi koji mogu biti povezani s izlaganjem buci ili vibracijama tako da se mogu izmijeniti postupci upravljanja vibracijama kako bi se spriječilo buduće oštećenje zdravlja.

- ⓘ Ova oprema namijenjena je za postupke pričvršćivanja: Emisije buke navedene su kao vodič projektantima strojeva. Podaci o emisiji buke i vibracija za cijeli stroj trebaju se navesti u uputama za uporabu stroja.

### Lokalni uvjeti

#### ⚠ POZOR

Ovaj proizvod može vas izložiti kemikalijama, uključujući olovo, a prema državi Kaliforniji, olovo može prouzročiti rak i urođene mane ili druge probleme spolnog sustava. Za više informacija idite na

<https://www.p65warnings.ca.gov/>

### Informacije u vezi sa članom 33 Uredbe REACH

Europska uredba (EU) br. 1907/2006 o Registraciji, evaluaciji, autorizaciji i ograničavanju kemikalija (REACH) između ostalog definira zahtjeve vezane za komunikaciju u lancu opskrbe. Zahtjev za informacijama također se odnosi na proizvode koji sadrže takozvane tvari koje izazivaju veliku zabrinutost ("Popis kandidata"). 27. lipnja 2018. olovo (CAS br. 7439-92-1) je dodato na Popis kandidata.

U skladu s prethodnom napomenom, obavještavamo vas da određene električne komponente u proizvodu mogu sadržati olovo. Ovo je u skladu s aktualnim propisima o ograničenju tvari i zasniva se na zakonskim izuzećima iz Direktive RoHS (2011/65/EU). Olovo iz proizvoda neće cureti ili mutirati tijekom normalne uporabe a koncentracija olova u gotovom proizvodu je znatno ispod primjenjive granične vrijednosti. Uzmite u obzir lokalne zahtjeve o zbrinjavanju olova na kraju životnog vijeka proizvoda.

## Sigurnost

NE BACAJTE – PREDAJTE KORISNIKU

#### ⚠ POZOR Pročitajte sva sigurnosna upozorenja, sve upute, ilustracije i specifikacije isporučene uz ovaj električni alat.

Ako se ne pridržavate svih dolje navedenih uputa, može doći do strujnog udara, požara i/ili teške ozljede.

**Spremite sva upozorenja i sve upute za buduću uporabu.**

#### ⚠ POZOR Uvijek se morate pridržavati lokalnih zakonskih sigurnosnih propisa o ugradnji, radu i održavanju.

### Izjava o uporabi

- Samo za profesionalnu uporabu.
- Ovaj proizvod i njegov pribor ne smiju se mijenjati ni na koji način.
- Ne upotrebljavajte ovaj proizvod ako je bio oštećen.
- Ako podaci o proizvodu ili znakovi upozorenja o opasnosti na proizvodu više nisu čitljivi ili otpadnu, odmah ih zamijenite.
- Rukovanje proizvodom, te njegovo ugrađivanje i servisiranje je dozvoljeno samo kvalificiranom osoblju u industrijskom okruženju.

### Namjena

Ovaj proizvod smiju koristiti samo odrasli koji su pročitali i razumjeli upute i upozorenja u ovom priručniku te mogu odgovorno obavljati svoje zadatke.

- Ovaj je proizvod projektiran za ugradnju i uklanjanje navojnih stezača u drvetu, metalu ili plastici.
- Nemojte koristiti proizvod ni za koju drugu svrhu koja nije opisana.
- Uporaba samo u unutarnjem prostoru.
- Nije dopuštena druga uporaba.

Koristite samo sljedeće baterijske module i punjače.

RC20BA20: 8951000467

RC20BA40: 8951000468

RC20BA60: 8951000469

Baterijski moduli se smiju puniti samo punjačima tvrtke Rodcraft.

RC20CHEU: 8951000470

RC20CHUK: 8951000471

Potpune upute potražite u Sigurnosnim informacijama o punjaču baterijskih modula (tiskani dokument br. 8956002313).

## Opća sigurnosna upozorenja o električnim alatima

**⚠ POZOR** Pročitajte sva sigurnosna upozorenja, sve upute, ilustracije i specifikacije isporučene uz ovaj proizvod.

Ako se ne pridržavate svih dolje navedenih uputa, može doći do strujnog udara, požara, imovinske štete i/ili teške ozljede.

**Spremite sva upozorenja i sve upute za buduću uporabu.**

Izraz „električni alat“ u upozorenjima odnosi se na električni alat pogonjen mrežnim naponom (žični) ili na električni alat na baterijski pogon (bežični).

### Sigurnost radnog područja

- **Radni prostor održavajte čistim i dobro osvijetljenim.** Neuredna ili neosvijetljena područja mogu biti izvor nesreće.
- **Ne radite s električnim alatima u eksplozivnim atmosferama, npr. u prisutnosti zapaljivih tekućina, plinova ili prašine.** Električni alati mogu stvarati iskre koje mogu zapaliti prašinu ili pare.
- **Tijekom rada s električnim alatom djecu i promatrače držite podalje.** Odvlačenje vaše pažnje može uzrokovati gubitak kontrole nad alatom.

### Električna sigurnost

- **Izbjegavajte fizički kontakt s uzemljenim površinama kao što su npr. cijevi, radijatori, štednjaci i hladnjaci.** Postoji povećani rizik od strujnog udara ako je tijelo uzemljeno.
- **Ne izlažite električne alate kiši ili vlazi.** Voda koja prodire u alat povećava opasnost od strujnog udara.

### Osobna sigurnost

- **Budite uvijek oprezni, gledajte što radite i budite razboriti prilikom rada električnim alatom. Ne koristite električni alat kad ste umorni ili pod utjecajem narkotika, alkohola ili lijekova.** Trenutak nepažnje pri radu s električnim alatom može rezultirati teškom tjelesnom ozljedom.
- **Upotrijebite osobnu zaštitnu opremu. Uvijek nosite zaštitne naočale.** Zaštitna oprema kao što je maska za prašinu, protuklizne zaštitne cipele, kaciga ili zaštita sluha primijenjena u odgovarajućim uvjetima smanjuje ozljede.
- **Spriječite nenamjerno pokretanje. Provjerite je li sklopka u položaju "Isključeno" prije nego što spojite alat na izvor napajanja i/ili na baterije ili prije nošenja alata.** Nošenje električnih alata s prstom na sklopki ili priključivanje napajanja na električne alate kod kojih je sklopka u položaju "Uključeno" može uzrokovati nesreće.
- **Uklonite sve zatike ili ključeve za namještanje prije uključivanja alata.** Ključ koji je ostane pričvršćen za rotirajući dio alata može rezultirati tjelesnom ozljedom.
- **Nemojte se predaleko nagninjati. Uvijek održavajte čvrsto uporište i stabilan stav.** To vam omogućuje bolju kontrolu električnog alata u neočekivanim situacijama.

- **Nosite prikladnu odjeću. Ne nosite široku odjeću ili nakit. Držite kosu i odjeću podalje od pokretnih dijelova.** Široka odjeća, nakit i duga kosa može biti zahvaćena pokretnim dijelovima.
- **Ako su uređaji opremljeni priključkom za uređaje za odvođenje i prikupljanje prašine, osigurajte priključivanje i pravilnu uporabu istih.** Uporaba uređaja za prikupljanje prašine može smanjiti opasnosti u vezi s prašinom.
- **Nemojte dozvoliti da vam poznavanje alata, uslijed njegova čestog korištenja, dade lažnu sigurnost na način da zanemarite načela sigurnog rada s alatom.** Nepažljiva radnja može dovesti do teške ozljede u djeliću sekunde.
- **Držite električni alat za izolirane prihvatne površine kada obavljate rad pri kojem učvršćeni element može dotaknuti skriveno ožičenje.** Sredstva za pričvršćivanje koja dotaknu žicu "pod naponom" time mogu dovesti "pod napon" izložene metalne dijelove električnog alata i rukovatelj može doživjeti strujni udar.

### Uporaba i održavanje električnih alata

- **Nemojte primjenjivati prejaku silu na električni alat. Upotrijebite ispravan električni alat za vaš zadatak.** Ispravan električni alat bolje i sigurnije će obaviti posao pri brzini za koju je predviđen.
- **Ne upotrebljavajte električni alat ako se sklopka ne uključuje i isključuje.** Svaki električni alat koji se ne može kontrolirati pomoću sklopke je opasan i treba ga popraviti.
- **Izvučite utikač iz utičnice napajanja i/ili odvojite električni alat od baterija prije vršenja bilo kakvih namještanja, promjene dodatne opreme ili skladištenja električnog alata.** Takve preventivne sigurnosne mjere smanjuju opasnost od slučajnog pokretanja električnog alata.
- **Električne alate koje ne upotrebljavate skladištite na mjestu nedostupnom djeci i ne dopuštajte osobama koje nisu upoznate s radom električnim alatom ili ovim uputama da rukuju električnim alatom.** Električni alati su opasni u rukama neosposobljenih korisnika.
- **Održavajte električne alate i pribor. Provjerite otklon ili zaglavljeno pokretnih dijelova, lom dijelova ili druga stanja koja mogu utjecati na rad električnog alata. Ako je električni alat oštećen, dajte ga popraviti prije uporabe.** Mnoge nesreće uzrokuju loše održavani električni alati.
- **Održavajte alate za rezanje oštroma i čistima.** Vjerojatnost blokiranja pravilno održavanih alata za rezanje s oštrom reznim rubovima je manja i lakše ih je kontrolirati.
- **Upotrijebite električni alat, dodatnu opremu i nastavke, itd. u skladu s tim uputama, uzimajući u obzir radne uvjete i rad koji treba izvršiti.** Uporaba električnog alata za radove koji odstupaju od predviđenih može uzrokovati opasnu situaciju.
- **Ručke i prihvatne površine održavajte suhima, čistima i podalje od ulja i masnoća.** Klizave ručke i prihvatne površine ne omogućavaju sigurno rukovanje i kontrolu nad alatom u izvanrednim situacijama.

### Uporaba i njega alata na bateriju

- **Punite samo punjačem koji je naveo proizvođač.** Punjač prikladan za jednu vrstu baterijskog modula može značiti opasnost od požara ako se rabi s drugom vrstom baterijskog modula.
- **Električne alate rabite samo s navedenim baterijskim modulima.** Uporaba drugih baterijskih modula može stvoriti opasnost od ozljede i požara.
- **Kada se baterijski modul ne rabi, držite ga podalje od drugih metalnih predmeta poput spajalica za papir, kovanica, ključeva, čavala, vijaka ili drugih malih metalnih predmeta koji mogu spojiti jedan terminal s drugim.** Kratko spajanje terminala baterije može izazvati opekline ili požar.
- **U uvjetima zloupotrebe, tekućina može prskati iz baterije; izbjegavajte kontakt. Ako dođe do slučajnog kontakta, isperite vodom. Ako tekućina dođe u kontakt s očima, zatražite i liječničku pomoć.** Tekućina koja prska iz baterije može izazvati nadraženost ili opekline.
- **Nemojte koristiti baterijski modul ili alat koji je oštećen ili modificiran.** Oštećene ili modificirane baterije mogu nepredviđeno reagirati i dovesti do požara, eksplozije ili opasnosti po nastanak ozljeda.
- **Nemojte izlagati baterijski modul ili alat požaru ili previsokoj temperaturi.** Izlaganje požaru ili temperaturi iznad 130 °C može prouzročiti eksploziju.
- **Pridržavajte se svih uputa za punjenje i nemojte puniti baterijski modul ili alat izvan raspona temperature određenog u uputama.** Nepravilno punjenje, ili punjenje pri temperaturama izvan određenog raspona, može oštetiti bateriju i povećati opasnost od požara.

### Servis

- **Svoj električni alat predajte na servisiranje osobi kvalificiranoj za vršenje popravaka uz uporabu identičnih rezervnih dijelova.** To će osigurati održavanje sigurnosti električnog alata.
- **Nemojte nikada servisirati oštećene baterijske module.** Servis baterijskih modula sme obavljati isključivo proizvođač ili ovlašteni serviser.

### Upute specifične za proizvod

#### Rad s alatom

1. Alat postavite pomoću odgovarajućeg nastavka.
2. Postavite točan način rada pomoću gumba za podešavanje brzine (2).
3. Izaberite pravi smjer pomoću gumba za unatrag (8).
4. Postavite alat u skladu s sigurnosnim uputama opisanim u ovom dokumentu.
5. Pritisnite i držite okidač prekidača (7).
6. Držite pritisnutim okidač (7) do kraja postupka.

### ⚠ POZOR Opasnost od ozljeda

Kako se sila reakcije povećava razmjerno momentu pritezanja, postoji opasnost od teških tjelesnih ozljeda rukovaoca uslijed neočekivanog ponašanja alata.

- ▶ Uvjerite se da je alat u besprijeckornom stanju i da je sustav ispravno programiran.

### Baterija

Baterijski moduli koji neko vrijeme nisu korišteni prije uporabe treba ponovno napuniti. Temperature koje prelaze 50 °C (122 °F) smanjuju performanse baterijskog modula. Izbjegavajte dugo izlaganje vrućini ili sunčevom svjetlu (opasnost od pregrijavanja). Kontakte punjača i baterijskog modula treba držati čistima. Za optimalni vijek trajanja, nakon korištenja baterijskog modula, treba ga potpuno napuniti. Kako bi se postigao maksimalno dugi vijek trajanja baterije, uklonite baterijski modul iz punjača nakon što je potpuno napunjen.

Baterijski moduli imaju zaštitu od prekomjernog punjenja koja štiti od prekomjernog punjenja i doprinosi duljem vijeku trajanja. Po ekstremnom opterećenju elektronika baterijske automatski isključuje proizvod. Za ponovno pokretanje isključite proizvod i ponovno ga uključite. Ako se proizvod ponovno ne pokrene, možda će se baterije potpuno isprazniti. U tom slučaju mora se ponovno napuniti punjačem baterijska.

### Upute za održavanje

- **Pridržavajte se lokalnih ekoloških propisa u državi za sigurno rukovanje i zbrinjavanje svih dijelova.**
- Održavanje i popravak mora izvesti kvalificirano osoblje koristeći samo originalne pričuvne dijelove. Kontaktirajte s proizvođačem ili najbližim ovlaštenim trgovcem kako ako vam treba savjet, tehnička podrška ili zamjenski dijelovi.
- Uvijek se uvjerite da je stroj isključen iz izvora napajanja kako biste izbjegli neželjeno uključivanje.
- Rastavite i pregledajte alat svaka 3 mjeseca ako ga koristite svakodnevno. Zamijenite oštećene ili istrošene dijelove.
- Nikada ne dopustite da kočne tekućine, benzin, proizvod na bazi petroleja, prodiruća ulja, itd. dođu u kontakt s plastičnim dijelovima. Kemikalije mogu oštetiti, oslabjeti ili uništiti plastiku, što može dovesti do ozbiljne osobne ozljede.
- Izbjegavajte koristiti otapala kod čišćenja plastičnih dijelova. Većinu plastika mogla bi uništiti različita komercijalna otapala te se mogu oštetiti njihovom uporabom. Čistom krpom uklonite prljavštinu, prašinu, ulje, mast, itd.

### Zbrinjavanje

- Zbrinjavanje ove opreme treba izvršiti sukladno zakonodavstvu u odgovarajućoj državi.
- Sve oštećene, jako istrošene i uređaje koji ne funkcioniraju pravilno **TREBA PUVUĆI IZ UPORABE.**
- Popravke smije vršiti isključivo osoblje za tehničko održavanje.

## Dodatni sigurnosni propisi za odvijače i ključeve

### Opasnosti od zahvaćanja pokretnim dijelovima

- **Držite se daleko od okretnog pogona.** Može doći do gušenja, čupanja kose i/ili porezotina ako ne držite labavu odjeću, rukavice, nakit, ogrlice i kosu podalje od alata i njegovih priključaka.
- **Ne nosite labave rukavice ili rukavice sa zarezanim ili istrošenim prstima.** Rukavice mogu zaglaviti u okretnom pogonu i izazvati oštećenje ili napuknuće prstiju.
- **Nastavci okretnog pogona i produžeci pogona mogu lako uhvatiti gumene ili metalom ojačane rukavice.**
- **Nikada ne držite pogon, nastavak ili produžetak pogona.**

### Opasnosti pri radu

- **Rukovatelji i osoblje za održavanje moraju biti u stanju fizički podnijeti veličinu, težinu i snagu ovog alata.**
- **Pravilno držite alat: budite spremni reagirati na normalne ili iznenadne pokrete.** Imajte spremne obje ruke.
- **Odmah nakon podešavanja spojke provjerite pravilnost rada.**
- **Nemojte koristiti ako su istrošene.** Spojka se možda neće aktivirati, što izaziva iznenadno okretanje ručke alata.
- **Ručku alata uvijek poduprite na siguran način, u smjeru suprotnom od rotacije osovine, da biste smanjili efekte iznenadne zakretne reakcije tijekom završnog zatezanja i početnog otpuštanja.**
- **Po mogućnosti upotrijebite ovjesnu ruku da apsorbira zakretnu reakciju. Ako to nije moguće, preporučujemo bočne ručke za alate s ravnim kućištem i pištoljastom drškom; preporučujemo reakcijske držače za kutne zatezače matica.** U svakom slučaju preporučujemo da za reakcijski moment veći od 4 Nm (3 lbf.ft) u slučaju alata s ravnim kućištem, veći od 10 Nm (7,5 lbf.ft) u slučaju alata s pištoljastom drškom, odnosno veći od 60 Nm (44 lbf.ft) u slučaju kutnih zatezača matica upotrijebite neku metodu apsorpcije.

### Opasnosti od projektila

- **Uvijek nosite zaštitu za oči i lice otpornu na udarce kada se nalazite u blizini mjesta rada ili radite alatom, pri popravcima i održavanju alata ili kada mijenjate pribor na alatu.**
- **Uvjerite se da sve druge osobe u blizini nose štitnike za oči i lice otporne na udarce.** Čak i sitni projektili mogu ozlijediti oči i uzrokovati sljepoću.
- **Sklopovi koji zahtijevaju određeni moment moraju se provjeravati momentnim ključem.** Takozvani "klik" momentni ključevi ne provjeravaju potencijalno opasna stanja prevelike zategnutosti. Zbog prejako ili preslabo zategnutih stezača koji mogu puknuti, otpustiti se ili razdvojiti može doći do teške ozljede. Otpušteni sklopovi mogu postati projektili.
- **Nemojte koristiti ručne nastavke.** Koristite samo pneumatske ili udarne ključeve u dobrom stanju.

- **Ovaj alat i njegov pribor ne smiju se mijenjati ni na koji način.**

### Opasnosti od ponavljanih kretnji

- **Kada upotrebljava pneumatski alat da obavlja aktivnosti u okviru posla, rukovatelj može osjetiti neugodu u rukama, ramenima, vratu ili drugim dijelovima tijela.**
- **Zauzmite udoban položaj, zadržavajući siguran stav i izbjegavajući neprikladne položaje ili položaje koji su van ravnoteže.** Promjena položaja tijekom izvođenja dugotrajnih zadataka može pomoći izbjegavanju osjećaja neugode i umora.
- **Nemojte zanemarivati simptome poput stalne ili ponavljajuće neugode, boli, pulsiranja, bolnosti, trnjenja, neosjetljivosti, osjećaja pečenja ili krutosti.** U tom slučaju prestanite koristiti alat, obavijestite svojeg poslodavca i potražite savjet liječnika.

### Opasnosti na radnom mjestu

- **Klizanje, spoticanje i pad glavni su uzroci teški ozljeda ili smrti.** Neuredna područja i klupe stvaraju rizik od ozljeda.
- **Ne upotrebljavajte u zatvorenim prostorima.** Pazite da ne prignječite ruke između alata i radnog komada, a posebno pri odvijanju.
- **Visoke razine zvuka mogu prouzročiti trajno oštećenje sluha.** Upotrijebite zaštitu za uši prema preporukama poslodavca ili u skladu s propisima o sigurnosti na radu i zaštiti zdravlja.
- **Pazite da radni komad bude dobro pričvršćen.**
- **Radni pokreti koji se ponavljaju, neugodni položaji i izloženost vibracijama mogu biti štetni za šake i ruke.** Ako se pojavi ukočenost, zujanje u ušima, bol ili bijeljenje kože, prestanite s uporabom alata i potražite savjet liječnika.
- **U nepoznatim sredinama radite pažljivo.** Vodite računa o mogućim opasnostima koje možete izazvati svojim radom. Ovaj alat nije izoliran u slučaju kontakta s izvorima električnog napajanja.

## Znakovi i naljepnice

Proizvod ima znakove i naljepnice koje sadrže važne informacije o osobnoj sigurnosti i održavanju proizvoda. Znakovi i naljepnice uvijek moraju biti dobro čitljivi. Možete naručiti nove znakove i naljepnice u skladu s popisom zamjenskih dijelova.



s011050

## Simboli



Uklonite bateriju prije početka bilo kojeg rada na stroju.



Pažljivo pročitajte upute prije pokretanja stroja.



Nemajte zbrinjavati električni alat zajedno s otpadom iz domaćinstva. Električni alat i elektroničku opremu koji su dostigli kraj njihova vijeka treba sakupiti zasebno i vratiti postrojenju za ekološki sigurnu reciklažu. Od lokalnih nadležnih službi ili prodavaonica saznajte informacije o reciklaži i mjestu sakupljanja.



Uvijek nosite zaštitne naočale kada koristite stroj.

$n_0$

Nema brzine punjenja.

V

Volti

$\text{min}^{-1}$

po minuti



Istosmjerna struja



OPREZ! UPOZORENJE! OPASNOST!

## Korisne informacije

### Zemlja podrijetla

People's Republic of China

### Web stranica

Informacije o proizvodima, priboru, zamjenskim dijelovima i izdanjima možete pronaći na našoj internetskoj stranici Rodcraft.

Posjetite web mjesto: [www.rodcraft.com](http://www.rodcraft.com).

### Sigurnosno-tehnički list

Sigurnosno-tehnički list opisuje kemijske proizvode koje prodaje Rodcraft.

Za više informacija o tvrtki Rodcraft posjetite web stranicu [qr.cp.com/sds](http://qr.cp.com/sds).

### Autorsko pravo

© Autorsko pravo 2023, Desoutter GmbH, Edmund-Seng-Str. 3-5, 63477 Maintal, Germany

Sva su prava pridržana. Zabranjena je svaka neovlaštena uporaba ili kopiranje sadržaja ili njegovog dijela. To se posebno odnosi na zaštitne znakove, oznake modela, brojeve dijelova i crteže. Upotrebljavajte samo odobrene dijelove. Svako oštećenje ili svaki kvar izazvan uporabom neodobrenih dijelova nije obuhvaćen jamstvom ili odgovornošću za proizvod.

## Tehnilised andmed

### Toote kirjeldus

Vt *Schema 2*.

- |   |                            |
|---|----------------------------|
| 1 | Pehme käepide              |
| 2 | Kiiruse reguleerimise nupp |
| 3 | Aku                        |
| 4 | Aku nupp                   |

- |    |                                 |
|----|---------------------------------|
| 5  | Töötuli                         |
| 6  | Kiiruse reguleerimise märgutuli |
| 7  | Lüliti päästik                  |
| 8  | Vastassuuna nupp                |
| 9  | Nelinurkajam                    |
| 10 | Alumiiniumkate                  |

## Deklaratsioon

### ELi vastavusdeklaratsioon

Meie, **Desoutter GmbH**, Edmund-Seng-Str. 3-5, 63477 Maintal, Germany, deklareerime oma täielikul vastutusel, et toode (mille nime, tüübi ja seerianumbri leiate esilehelt) on vastavuses järgmis(t)e direktiivi(de)ga:

**2006/42/EC; 2011/65/EU; 2014/30/EU**

Kohalduvad ühtlustatud standardid:

**EN 62841-1:2015/A11:2022; EN 62841-2-2:2014; EN IEC 55014-1:2021; EN IEC 55014-2:2021; EN 62233:2008**

Ametiasutused võivad nõuda asjakohast tehnilist teavet, mille peab saatma:

Pascal Roussy, R&D Manager, Ets Georges Renault, 38 rue Bobby Sands, BP10273 44818 Saint Herblain, France

**Saint-Herblain, 2023/08/28**

**Pascal ROUSSY**

Allkiri

### Müra- ja vibratsioonialane deklaratsioon

Kirjeldus	RC9067	RC9077	RC9087
Helirõhk (K=3) (dB(A))	92,3	88,4	88,4
Helivõimsus (K=3) (dB(A))	100,3	96,4	96,4
Vibratsioon (K=1,5) (m/s <sup>2</sup> )	5,45	8,15	8,15

Helirõhu, helivõimsuse ja vibratsiooni väärtused vastavad standardile EN 62841-2-2:2014 + AC:2015.

Nimetatud deklareeritud väärtused saadi laboritüüpi katsetuste käigus kooskõlas nimetatud standarditega ja asjaomaseid väärtusi saab kasutada teiste kooskõlas samade standarditega testitud tööriistade deklareeritud väärtuste võrdlemiseks. Vibratsiooni emissioonitaset võib kasutada kokkupuute kohta esialgse hinnangu andmiseks. Asjaomased deklareeritud väärtused ei sobi riskianalüüsiks ja konkreetse töökohas mõõdetud väärtused võivad olla suuremad. Konkreetse kasutaja tegelikud kokkupuuteväärtused ja kahjustuste oht on ainulaadsed ja sõltuvad sellest, kuidas kasutaja töötab, töödeldavast toorikust ja töökoha lahendusest, kokkupuute ajast ja ka kasutaja füüsilisest seisundist.

Meie, **Desoutter GmbH**, ei vastuta tagajärgede eest, kui meie poolt mitte kontrollitava konkreetse tööolukorra riskianalüüsis kasutatakse tegelikku kokkupuudet kajastavate väärtuste asemel deklareeritud väärtusi.

Kui selle tööriista kasutamist ei korraldata sobival viisil, võib see põhjustada kohtvibratsiooni sündroomi. ELi juhised kohtvibratsiooniga toime tulemiseks leiate, kui külastate veebilehte <http://www.pneurop.eu/index.php> ning valite „Tools“ ja siis „Legislation“.

Soovitame regulaarselt tervist kontrollida, et tuvastada vibratsioonist tingitud haiguste varajasi sümptomeid. Selle põhjal tuleb juhtimistoiminguid kohandada nii, et need aitaksid ennetada võimalikke edaspidiseid tervisekahjustusi.

- i** Kui antud seadet kasutatakse kinnitatud rakendustes: Masinootaja poolt antud müraemissioon on indikatiivne. Komplektse masina müra- ja vibratsiooniemissiooni andmed peavad olema välja toodud masina kasutusjuhendis.

## Piirkondlikud nõuded

### **⚠ HOIATUS**

Selle toote kasutamisel võite kokku puutuda kemikaalide, sh pliiga, mis põhjustab California osariigile teadolevatel andmetel vähki ja sünnidefekte või muud reproduktiivset kahju. Lisateabe saamiseks külastage veebilehte

<https://www.p65warnings.ca.gov/>

## Teave seoses REACH-määruse artikliga 33

Euroopa (EÜ) määrus nr 1907/2006, mis käsitleb kemikaalide registreerimist, hindamist, autoriseerimist ja piiramist (REACH), määratleb muuhulgas tarneahela kommunikatsiooniga seotud nõuded. Teabenõue kehtib ka toodetele, mis sisaldavad nn väga ohtlikke aineid („kandidaatainete loetelu“). 27. juunil 2018 lisati kandidaatainete loetellu plii (CAS nr 7439-92-1).

Ülaltoodust tulenevalt anname teile teda, et toote teatud elektrilised komponendid võivad sisaldada pliid. See on kooskõlas kehtivate ainete kasutamise piiramise õigusaktidega ja põhineb ohtlike ainete kasutamise piiramise direktiivi (RoHS-määrus, 2011/65/EÜ) õiguslikel eranditel. Plii ei leki ega muutu tootest tavapärasel kasutamisel ning pliisisaldus kogu tootes on kohaldatavast piirväärtusest tunduvalt väiksem. Toote kasutuse lõppedes arvestage plii kõrvaldamisel kohalike eeskirju.

## Ohutus

ÄRGE VISAKE ÄRA – ANDKE KASUTAJALE

- ⚠ HOIATUS Tutvuge kõigi mootortööriista juurde kuuluvate hoiatuste, juhiste, illustratsioonide ja tehniliste andmetega.**

Allpool toodud juhiste eiramine võib tuua kaasa elektrilöögi, tulekahju ja/või tõsise kehavigastuse.

**Hoidke kõik hoiatused ja juhised hilisemaks uuesti läbivaatamiseks alles.**

- ⚠ HOIATUS Kõikidest paigaldamist, kasutamist ja hooldamist käsitlevatest kohalikest kehtivatest ohutuseeskirjadest tuleb kogu aeg kinni pidada.**

## Lubatud kasutamine

- Ainult professionaalseks kasutamiseks.

- Käesolevat toodet ega selle lisaseadmeid ei tohi muuta.
- Ärge kasutage kahjustatud toodet.
- Kui tootel asuvad nimikiiruse või ohuhoiatuse märgid muutuvad loetamatuks või tulevad küljest, asendage need kohe uutega.
- Toodet tohib paigaldada, kasutada ja hooldada ainult kvalifitseeritud isik ja ainult tööstuslikus keskkonnas.

## Kasutusotstarve

See toode on mõeldud kasutamiseks ainult täiskasvanutele, kes on lugenud ja saanud aru selles kasutusjuhendis olevatest juhistest ja hoiatustest ning keda võib pidada oma tegude eest vastutavateks.

- Käesolev toode on mõeldud keermestatud kinnitusvahendite puitu, metalli või plastmaterjali paigaldamiseks ning sealt eemaldamiseks.
- Kasutage toodet ainult eelkirjeldatud eesmärkidel.
- Kasutamiseks ainult siseruumis.
- Muud kasutusviisid on keelatud.

Kasutage ainult järgnevalt loetletud akusid ja laadijaid.

RC20BA20: 8951000467

RC20BA40: 8951000468

RC20BA60: 8951000469

Akusid tohib laadida ainult Rodcrafti akulaadijatega.

RC20CHEU: 8951000470

RC20CHUK: 8951000471

Täielikud juhised leiate akulaadija ohutusteabest (trüki nr 8956002313).

## Mootortööriista üldised ohutusnõuded

- ⚠ HOIATUS Lugege läbi kõik tootega kaasas olevad ohutushoiatused, juhised, joonised ja tehnilised andmed.**

Järgnevalt loetletud hoiatuste mittejärgimine võib tuua kaasa elektrilöögi, süttimise, varalise kahju ja/või raske vigastuse.

**Hoidke kõik hoiatused ja juhised hilisemaks uuesti läbivaatamiseks alles.**

Hoiatustes kasutatava sõnaga „mootortööriist“ mõeldakse elektritoitel töötavat (juhtmega) või akutoitega (juhtmevaba) tööriista.

### Tööpiirkonna ohutus

- Hoidke tööpiirkond puhas ja tagage seal piisav valgustus.** Segamini või halvasti valgustatud töökoht suurendab õnnetuste ohtu.
- Ärge kasutage mootortööriistu plahvatusohtlikus keskkonnas, näiteks kergesti süttivate vedelike, gaaside või tolmu läheduses.** Mootortööriistade kasutamisel tekivad sädemed, mis võivad süüdata tolmu või auru/gaasi.
- Hoidke lapsed ja muud kõrvalised isikud töötavast mootortööriistast eemal.** Häirivad tegurid võivad segada teie keskendumist ja tekitada ohuolukordi.

**Elektriohutus**

- Vältige kehalist kontakti maandatud pindadega, näiteks torude, radiaatorite, pliitide ja külmikutega. Elektrilöögi oht suureneb, kui teie keha on maandatud.
- Ärge jätke mootortööriistu vihma kätte või mädadesse tingimustesse. Elektritööriista tungiv vesi suurendab elektrilöögi ohtu.

**Isiklik ohutus**

- Olge tähelepanelikud, jälgige, mida te teete, ning rakendage mootortööriista kasutamisel tervet mõistust. Ärge kasutage mootortööriista, kui olete väsinud või ravimite, alkoholi või uimastite mõju all. Hetk tähelepanematust mootortööriista kasutamise ajal võib tuua kaasa tõsise kehavigastuse.
- Kasutage isikukaitsevahendeid. Kandke alati kaitseprille. Sobiva kaitsevarustuse kasutamine (nt tolmu-mask, libisemiskindlad turvajalatsid, kiiver ja kõrvaklapid) vähendab kehavigastuste ohtu.
- Vältige seadme tahtmatut käivitumist. Enne toitejuhtme ja/või aku ühendamist, tööriista tõstmist või kandmist veenduge, et lüliti oleks väljalülitatud asendis. Mootortööriista kandmine, sõrme lülitil hoides, või sisselülitatud tööriista toite ühendamine suurendab õnnetuste tõenäosust.
- Eemaldage enne mootortööriista sisselülitamist kõik reguleerimisvõtmed või mutrivõtmed. Mootortööriista pöörleva osa külge kinnitatud mutrivõti või võti võib tuua kaasa kehavigastuse.
- Ärge küünitage liiga kaugemale. Hoidke alati jalad kindlalt maas ja keha tasakaalus. Selliselt on teil võimalik mootortööriista ootamatutes olukordades paremini kontrollida.
- Riietuge sobivalt. Ärge kandke lohvakaid riideid või ehteid. Hoidke käed, juuksed ja kaelasidemed liikuvatest osadest eemal. Lohvakad riided, ehted või pikad juuksed võivad jääda liikuvate osade külge.
- Kui tööriistal on tolmu imemise või kogumise liitmik, siis veenduge, et see oleks nõuetekohaselt ühendatud ja kasutusel. Tolmukoguja kasutamine võib vähendada tolmu seotud ohte.
- Hoiduge tööriista sagedasel kasutamisel tekkivast liigsest enesekindlusest ja mugavusest ning järgige alati ohutusreegleid. Hooletus võib põhjustada vaid sekundi mürdosa jooksul raskeid kehavigastusi.
- Hoidke mootortööriista isoleeritud haardepinnast, kui tehakse toimingut, kus kinnitusvahend võib puutuda vastu varjatud juhtmeid. Kinnituselemendi kokkupuutel voolu all oleva juhtmega võivad elektritööriista metallosad sattuda voolu alla ning anda kasutajale elektrilöögi.

**Mootortööriista kasutamine ja hooldamine**

- Ärge rakendage mootortööriista kasutamisel jõudu. Kasutage oma töö jaoks sobivat mootortööriista. Mootortööriist toimib paremini ja turvalisemalt, kui seda kasutatakse ettenähtud viisil.
- Ärge kasutage mootortööriista, kui lüliti ei lülita seda sisse ja välja. Kui mootortööriista ei saa lülitist juhtida, on see ohtlik ja tuleb enne kasutamist korda teha.

- Lahutage pistik vooluallikast ja/või aku (kui see on eemaldatav) mootortööriistast enne seadme reguleerimist, tarvikute vahetamist või mootortööriista hoiustamiseks ära panemist. Sellised ettevaatusabinõud vähendavad mootortööriista ettekavatsematu käivitumise ohtu.
- Hoidke kasutuses mitteolev mootortööriist laste käeulatuses eemal ning ärge lubage mootortööriista kasutada isikutel, kes ei tunne mootortööriista või ei ole tutvunud käesolevate juhistega. Mootortööriistad on kogenematu kasutaja käes ohtlikud.
- Hooldage mootortööriistu ja tarvikuid. Kontrollige liikuvate osade joondust ja vaba liikumist, osade seisukorda ja muid asjaolusid, mis võivad elektriseadme tööd mõjutada. Kahjustuse korral laske mootortööriist enne kasutamist ära remontida. Paljud õnnetused on põhjustatud halvasti hooldatud mootortööriistadest.
- Hoidke löiketööriistad teravate ja puhastena. Õigesti hooldatud teravate lõikeservadega löiketööriistad jäävad harvemini kinni ning neid on lihtsam kontrollida.
- Kasutage mootortööriista, tarvikuid, otsikuid jms kooskõlas käesolevate juhistega, arvestades töötingimusi ning käsilolevat tööd. Mootortööriista mittesihipärane kasutamine võib tekitada ohtlikke olukordi.
- Hoidke käepidemed ja haardepinnad kuiva, puhta ning õli- ja määrdevabana. Libedad käepidemed ja haardepinnad ei lase tööriista ootamatutes olukordades ohutult käsitseda ja juhtida.

**Akutööriista kasutamine ja hooldamine**

- Laadige ainult tootja määratud laadijaga. Kindla akutüübi jaoks mõeldud laadija võib teist tüüpi aku laadimisel põhjustada tuleohtu.
- Kasutage mootortööriistu ainult spetsiaalselt selleks ette nähtud akudega. Teiste akude kasutamine võib tuua kaasa vigastuste ja süttimise ohtu.
- Kui akut ei kasutata, tuleb seda hoida eemal metallsemetest nagu kirjaklambrid, mündid, võtmed, naelad, kruvid jm väiksed metallsemed, mis võivad põhjustada kontaktide vahel lühise. Akuklemmide lühistamine võib põhjustada põletusi või süttimise.
- Aku väärkasutamise korral võib sellest paiskuda välja akuedelikku; vältige sellega kokkupuutumist. Kui kokkupuude ikkagi toimub, loputage ohtra veega. Kui vedelik satub silma, pöörduge abi saamiseks ka arsti poole. Akust välja paiskuv vedelik võib põhjustada ärritust või põletusi.
- Ärge kasutage kahjustatud või ümber tehtud akut ega tööriista. Kahjustatud või ümbertehtud akud võivad ettearvamatuult käituda, põhjustades süttimist, plahvatust või kehavigastusi.
- Ärge laske akul või tööriistal kokku puutuda tule ega kõrge temperatuuriga. Lahtise leegi või üle 130 °C temperatuuriga kokkupuutumine võib põhjustada plahvatuse.
- Järgige kõiki laadimisjuhiseid ja ärge laadige akut ega tööriista väljaspool juhistes märgitud temperatuurivahemikku. Valesti või väljaspool ettenähtud temperatuurivahemikku laadimise korral võib tulemuseks olla aku kahjustumine ja suurem süttimisoht.

**Hooldus**

- Laske oma tööriista hooldada kvalifitseeritud remonditehnikul, kasutades ainult identseid varuosi. Selliselt on tagatud mootortööriista ohutuse säilimine.
- Kahjustatud akusid ei tohi hooldada. Akusid tohib hooldada ainult tootja või volitatud hooldusteenuse pakkuja.

**Tootespetsiifilised juhised****Tööriista kasutamine**

1. Kinnitage tööriistale sobiv padrun.
2. Valige kiiruse reguleerimise nupuga (2) õige režiim.
3. Valige vastassuuna nupu (8) abil õige pöörlemissuund.
4. Paigutage tööriist vastavalt selles dokumendis kirjeldatud ohutuseeskirjadele.
5. Vajutage lüliti päästikut (7) ja hoidke seda all.
6. Hoidke päästikut (7) all toimingu lõpetamiseni.

**⚠ HOIATUS Vigastuste oht**

Kuna reaktsioonijõud suureneb proportsionaalselt pöördemomendiga, on oht, et operaator võib tööriista ootamatu käitumise korral saada raskeid kehavigastusi.

- ▶ Veenduge, et tööriist oleks laitmatus töökorras ja süsteem oleks õigesti programmeeritud.

**Aku**

Akusid, mida ei ole mõnda aega kasutatud, tuleb enne kasutamist laadida.

Aku jõudlus langeb temperatuuril üle 50 °C (122 °F). Vältige pikaajast kokkupuudet kuumuse või päikesepaistega (ülekuumenemisoht).

Laadija ja aku kontaktid tuleb hoida puhtad.

Optimaalse kasutusaja tagamiseks tuleb akupank pärast kasutamist täis laadida. Aku pikima võimaliku kasutusaja tagamiseks eemaldage aku laadijast alles siis, kui aku on korralikult täis laetud.

Akul on ülekoormuskaitse, mis kaitseb seda ülekoormuse eest ja aitab pikendada aku kasutusiga. Aku ülepinge korral lülitub elektroonika automaatselt välja. Toote taaskäivitamiseks lülitage toode välja ja uuesti sisse. Kui toode ei käivitu, siis võib põhjuseks olla tühi aku. Sellisel juhul tuleb akut laadida.

**Paigaldusjuhised**

- Järgige kõigi komponentide käsitlemise ja utiliseerimise osas siseriiklikke keskkonaeeskirju.
- Hooldus- ja remonditöid tohivad teostada ainult selleks kvalifitseeritud isikud, kasutades originaalvaruosi. Tehnohoolduse kohta nõu küsimiseks või varuosade hankimiseks võtke ühendust tootja või teile lähima volitatud edasimüüjaga.
- Juhusliku käivitumise vältimiseks veenduge, et masin oleks alati energiaallikast lahutatud.
- Kui tööriista kasutatakse igapäevaselt, võtke tööriist lahti ja kontrollige seda iga 3 kuu möödudes. Asendage kõik kahjustatud või kulunud osad.

- Ärge laske pidurivedelikel, bensiinidel, naftapõhistel toodetel, immutusõlidel jms kokku puutuda seadme plastosadega. Kemikaalid võivad plastosi kahjustada, nõrgestada või purustada, mis võib põhjustada tõsiseid kehavigastusi.
- Ärge kasutage plastosade puhastamiseks lahusteid. Enamik plaste on tundlikud eri tüüpi kaubanduslike lahustite suhtes ning võivad nende kasutamisel kahjustada saada. Kasutage mustuse, tolmu, õli, määrete jne eemaldamiseks puhast lappi.

**Utiliseerimine**

- Selle seadme kõrvaldamine peab toimuma kooskõlas vastava riigi õigusaktidega.
- Kõik kahjustatud, tugevalt kulunud või valesti töötavad seadmed **TULEB KASUTUSEST KÕRVALDADA**.
- Remonttöid võivad teostada ainult tehnikud.

**Täiendavad ohutusreeglid kruvikeerajatele ja mutrivõtmetele****Takerdumisoht**

- Hoidke eemale pöörlevast ajamist. Kui tööriistast ja tarvikutest ei hoita eemale lahtisi riideid, kindaid, ehteid, kaelas kantavaid esemeid või juukseid, võib tulemuseks olla lämbumine, skalpeerimine ja/või rebenemine.
- Ärge kandke lõdvalt käes istuvaid kindaid või kulunud või lõigatud sõrmeosadega kindaid. Kindad võivad pöörleva aja külge kinni jääda ning tuua kaasa sõrmede vigastumise või murdumise.
- Pöörleva ajami pesad ja ajami pikendused võivad kummeeritud või metalliga tugevdatud kinnastele kergelt kinni jääda.
- Ärge hoidke kinni ajamist, pesast või ajami pikendusest.

**Kasutamisega seotud ohud**

- Operaatorid ning hooldustehnikud peavad olema füüsiliselt võimelised käsitsema tööriista suurust, kaalu ja võimsust.
- Hoidke tööriista korralikult: olge valmis normaalsele või ootamatutele liikumistele vastu tegutsema. Olge valmis kasutama mõlemat kätt.
- Kontrollige õiget töötamist kohe pärast muhvi reguleerimist.
- Ärge kasutage kulunud olekus. Sidur ei pruugi pöörelda, mis võib tuua kaasa tööriista käepideme ootamatu pöörlemise.
- Toetage alati tööriista kindlalt käepidemest spindli pöörlemisele vastassuunas, et vähendada pingutamise lõpus ja lõdvendamise alguses aset leidva ootamatu väändejõu reaktsiooni mõju.
- Võimaluse korral kasutage reaktsioonijõu neelamiseks riputushooba. Kui see ei ole võimalik, on sirgete ja püstolkäepidemega tööriistade puhul soovitatav kasutada külgakäepidemeid; nurga all mutrikeerikute puhul aga reaktsioonivardaid. Igal juhul on soovitatav kasutada sirgete tööriistade puhul üle 4 Nm (3 naeljalga), püstolkäepidemega tööriistade puhul üle



10 Nm (7,5 naeljalga) ja nurkmutrikeerikute puhul üle 60 Nm (44 naeljalga) suuruse reaktsioonijõu absorbeerimiseks abivahendeid.

#### Lendavatest osakestest tulenevad ohud

- Tööriistaga töötamise, parandamise ja hooldamise või tarvikute vahetamise ajal või läheduses olles kandke alati löögikindlat silma- ja näokaitset.
- Veenduge, et teised läheduses viibivad isikud kannaksid löögikindlat silma- ja näokaitset. Silmavigastust ja pimedaksjäämist võivad põhjustada isegi väikesed lendavad osakesed.
- Konkreetse ettenähtud pingutusjõuga koostude puhul tuleb kontrollimiseks kasutada dünamomeetrit. Nn „klõpsuga“ dünamomeetritelised mutrivõtmed ei kontrolli potentsiaalselt ohtlike ülemäärase pingega seisukordi. Liiga väikese või liiga suure pingutusjõuga kinnitatud kinnitused võivad puruneda, tulla lahti ja eralduda ning põhjustada sellega raskeid kehavigastusi. Lahti tulnud koostud võivad eemale paiskuda.
- Ärge kasutage käsipadruneid. Kasutage ainult heas seisukorras olevaid mootor- või löökpadruneid.
- Käesolevat tööriista ega selle lisaseadmeid ei tohi muuta.

#### Korduva liigutusega seotud ohud

- Mootortööriistaga tööga seotud tegevuste teostamisel võib operaator kogeda kätes, käsivartes, õlgades, kaelas ning teistes kehaosades ebamugavustunnet.
- Võtke võimalikult mugav ja samas kindel asend ning hoiduge ebaloomulikest või tasakaalust väljas olevatest asenditest. Pikemate toimingute ajal võib asendi muutmine aidata vältida ebamugavustunnet ja väsimust.
- Ärge ignoreerige selliseid sümptomeid nagu püsiv või korduv ebamugavustunne, valu, tuikamine, surin, tuimus, põletustunne või kangus. Lõpetage tööriista kasutamine, rääkige oma tööandjaga ja pidage nõu arstiga.

#### Töökohaga seotud ohud

- Libisemine, komistamine või kukkumine on peamised kehavigastuste või surma põhjused. Risustatud alad või pingid on ohtlikud.
- Ärge kasutage kitsastes kohtades. Olge ettevaatlikud, et te ei suruks käsi tööriista ja töödeldava eseme vahele, seda eriti lahtikruvimise ajal.
- Kõrge müratase võib põhjustada täieliku kuulmise kaotuse. Kasutage oma tööandja või töötervishoiu ja -ohutuse eeskirjadega ettenähtud kuulmiskaitsevahendeid.
- Veenduge, et töödeldav ese oleks kindlalt fikseeritud.
- Korduvad liigutused, ebamugav asend ja vibratsioon võivad kahjustada käsi. Kui käed muutuvad tuimaks, kipitavad, valutavad või kui nahk muutub valgeks, lõpetage töö ja pöörduge arsti poole.
- Tegutsege tundmatus ümbruskonnas ettevaatlikult. Tundke oma töötegevusest tingitud potentsiaalseid ohte. Antud tööriist ei ole vooluallikatega kokkupuutumise puhuks isoleeritud.

### Märgid ja kleebised

Tootele on paigaldatud olulise isikliku ohutusteabega ja toote hooldusteabega märgid ja kleebised. Paigaldatud märgid ja kleebised peavad olema alati loetavad. Uute märkide ja kleebiste tellimiseks kasutage varuosade loendit.



s011050

### Sümbolid



Enne masinaga tööle asumist eemaldage aku.



Enne masina käivitamist lugege tähelepanelikult juhiseid.



Ärge kõrvaldage elektritööriistu koos kodumajapidamisjäätmetega. Elektritööriistad ja elektroonikaseadmed, mille kasutamisega on läbi saanud, tuleb eraldi kokku koguda ja viia keskkonnasõbralikku ringlussevõtukohta. Ümbertöötlemise juhiseid või kogumispunkti teavet küsige kohalikul asutusel või jaemüüjalt.



Masinat kasutades tuleb alati kanda kaitseprille.

$n_0$

Laadimiskiirus puudub.

V

Volti

$\text{min}^{-1}$

minutis



Alalisvool



ETTEVAATUST! HOIATUS! OHT!

### Kasulik teave

#### Päritolumaa

People's Republic of China

#### Veebileht

Teavet meie toodete, tarvikute, varuosade ja avaldatud materjalide kohta leiate kaubamärgi Rodcraft veebisaidilt.

Tutvuge lähemalt: [www.rodcraft.com](http://www.rodcraft.com).

#### Ohutuskaart

Ohutuskaardid kirjeldavad kaubamärgi Rodcraft müüdavaid kemikaale.

Lisateabe saamiseks külastage kaubamärgi Rodcraft veebisaiti [qr.cp.com/sds](http://qr.cp.com/sds).

#### Autoriõigus

© Autoriõigus 2023, Desoutter GmbH, Edmund-Seng-Str. 3-5, 63477 Maintal, Germany

Kõik õigused kaitstud. Volitamata kasutamine või sisu või selle osa kopeerimine on keelatud. See puudutab konkreetselt just kaubamärke, mudelite nimetusi, detailide numbreid ja

jooniseid. Kasutage ainult heakskiidetud osi. Kahjustusi ega häireid, mille põhjuseks on volitamata osade kasutamine, ei kata garantii ega tootevastutus.

## Techniniai duomenys

### Gaminio aprašymas

Žr. *Schema 2*.

1	Minkšta rankena
2	Greičio reguliavimo mygtukas
3	Akumulatoriaus blokas
4	Akumulatoriaus bloko mygtukas
5	Darbinė lempa
6	Greičio reguliavimo indikacinė lemputė
7	Perjungiklis
8	Grįžimo mygtukas
9	Kvadratinė pavara
10	Aliuminis dangtis

## Deklaracijos

### ES atitikties deklaracija

Mes, **Desoutter GmbH**, Edmund-Seng-Str. 3-5, 63477 Maintal, Germany, vienašališkos atsakomybės pagrindu pareiškiame, kad gaminys (pavadinimą, tipinį ir serijos numerį žr. pirmame puslapyje), atitinka šią (-as) Direktyvą (-as):

**2006/42/EC; 2011/65/EU; 2014/30/EU**

Taikyti darnieji standartai:

**EN 62841-1:2015/A11:2022; EN 62841-2-2:2014; EN IEC 55014-1:2021; EN IEC 55014-2:2021; EN 62233:2008**

Atitinkamos techninės informacijos institucijos gali pareikalauti iš:

Pascal Roussy, R&D Manager, Ets Georges Renault, 38 rue Bobby Sands, BP10273 44818 Saint Herblain, France

Saint-Herblain, 2023/08/28

Pascal ROUSSY



Parašas

### Deklaracija dėl triukšmo ir vibracijos

Aprašas	RC9067	RC9077	RC9087
Garso slėgis (K=3) (dB(A))	92,3	88,4	88,4
Garso galia (K=3) (dB(A))	100,3	96,4	96,4
Vibracija (K=1,5) (m/s <sup>2</sup> )	5,45	8,15	8,15

Garso slėgio, garso galios ir vibracijos vertės atitinka EN 62841-2-2:2014 + AC:2015.

Čia deklaruotos vertės buvo gautos laboratoriniais bandymais, atliktais pagal nurodytus standartus. Jas galima lyginti su deklaruotomis kitų įrankių vertėmis, nustatytomis atlikus bandymus pagal tokius pat standartus. Vibracijos intensyvumą taip pat galima naudoti preliminariam poveikio ver-

tinimui. Šios deklaruotos vertės netinka naudoti vertinant riziką, nes konkrečioje darbo vietoje apskaičiuotos vertės gali būti ir didesnės. Faktinės poveikio vertės ir žalos, kurią gali patirti konkretus naudotojas, rizika yra unikalios ir priklauso nuo darbo būdo, ruošinio ir darbo vietos išplanavimo, taip pat – nuo poveikio trukmės ir naudotojo fizinės būklės.

Mes, **Desoutter GmbH**, negalime būti laikomi atsakingi už deklaruotų verčių naudojimo vietoje faktinių verčių pasekmes individualiai įvertinant riziką darbo vietoje, kurios sąlygų negalime kontroliuoti.

Netinkamai valdomas šis įrankis gali sukelti rankos–plaštakos vibracijos sindromą. Plaštakas ir rankas veikiančios vibracijos valdymo ES vadovas yra svetainės <http://www.pneurop.eu/index.php> skyriaus „Tools“ (įrankiai) poskyryje „Legislation“ (teisės aktai).

Ankstyviems simptomams, kurie gali būti susiję su vibracijos ekspozicija, nustatyti ir valdymo procedūroms keisti taip, kad išvengtumėte pakenkimo ateityje, mes rekomenduojame sveikatos priežiūros programą.

- ⓘ Jei ši įranga yra skirta naudoti sutvirtinus: Triukšmo spinduliuotė pateikiama kaip orientyras mašinos gamintojui. Visos mašinos triukšmo ir vibracijos spinduliuotės duomenys turi būti pateikiami mašinos inžinierių vadove.

### Regioniniai reikalavimai

#### ⚠ ĮSPĖJIMAS

Šis produktas gali sukelti jums pavojų dėl cheminių medžiagų poveikio, įskaitant šviną – Kalifornijos valstija žino, kad tai gali sukelti vėžį, apsigimimų ir kitą žalą reprodukcinei sistemai. Daugiau informacijos rasite

<https://www.p65warnings.ca.gov/>

### Informacija apie 33 Straipsnį dėl cheminių medžiagų registracijos, įvertinimo, autorizacijos ir apribojimų (REACH)

Europos Parlamento ir Tarybos reglamento (EB) Nr. 1907/2006 dėl cheminių medžiagų registracijos, įvertinimo, autorizacijos ir apribojimų (REACH) tarp kitų dalykų pateikia reikalavimus dėl bendravimo tiekimo grandinėje. Informacijos pateikimo reikalavimas taip pat yra taikomas ir produktams, kuriuose yra taip vadinamos labai didelį susirūpinimą keliančiomis medžiagomis ("Kandidatų sąrašas") 2018 birželio 27d. švino metalas (CAS nr 7439-92-1) buvo įtrauktas į Kandidatų sąrašą.

Pagal šį punktą, jūs turite būti informuojami apie tai, kad tam tikri produkte esantys elektros komponentai gali turėti švino metalo. Šią informaciją reikia pateikti laikantis šiuo metu galiojančios medžiagų apribojimo teisės akto, pagrįsto teisėtomis išimtimis, nurodytomis dėl tam tikrų pavojingų medžiagų naudojimo elektros ir elektroninėje įrangoje apribojimo (2011/65/EU) direktyvoje. Švino metalas neturi prasiskverbti arba mutuoti gaminyje, jį naudojant normaliomis aplinkybėmis, o jo koncentracija užbaigtame produkte yra daug žemesnė nei jam taikoma riba. Prašom laikytis vietos reikalavimų atsikratant švinu, esančiu gaminyje, pasibaigus gaminio naudojimo laikui.

## Sauga

NEIŠMESTI – ATIDUOTI VARTOTOJUI

**⚠️ ĮSPĖJIMAS** Perskaitykite visus su šiuo elektriniu įrankiu pateikiamus įspėjimus, instrukcijas, iliustracijas ir specifikacijas.

Jei bus nesilaikoma visų toliau pateiktų instrukcijų, gali kilti elektros smūgio, gaisro ir (arba) sunkaus sužeidimo pavojus.

**Išsaugokite visus įspėjimus ir nurodymus, kad prireikus vėliau galėtumėte pasiskaityti.**

**⚠️ ĮSPĖJIMAS** Visada būtina laikytis visų galiojančių vietinių sumontavimo, eksploatacijos ir techninės priežiūros saugos taisyklių.

### Naudojimo deklaracija

- Skirta tik profesionaliam naudojimui.
- Draudžiama atlikti bet kokius šio gaminio ir jo priedų pakeitimus.
- Nenaudokite šio gaminio, jei jis apgadintas.
- Jei nebežiūrėti arba atplyšo lipdukai su gaminio įspėjimaisiais ženklais, juos iškart pakeiskite.
- Gaminį gali diegti, naudoti ir techniškai prižiūrėti tik kvalifikuotas personalas pramoninio montažo aplinkoje.

### Numatytoji paskirtis

Naudoti šį gaminį leidžiama tik suaugusiems, kurie perskaitė ir suprato šiame vadove pateiktus nurodymus bei įspėjimus, ir kurie gali būti laikomi atsakingais už savo veiksmus.

- Šis gaminys skirtas įmontuoti sriegines tvirtinimo detales į medį, metalą ar plastiką, bei jas išimti.
- Nenaudokite gaminio jokiems kitiems, nei nurodytiems čia tikslams.
- Naudoti tik patalpoje.
- Naudojimas kitai paskirčiai draudžiamas.

Naudokite tik toliau nurodytus akumuliatorių blokus ir įkroviklius.

RC20BA20: 8951000467

RC20BA40: 8951000468

RC20BA60: 8951000469

Akumuliatorių blokus reikia įkrauti tik „Rodcraft“ akumuliatorių įkrovikliais.

RC20CHEU: 8951000470

RC20CHUK: 8951000471

Išsamias instrukcijas rasite akumuliatoriaus įkroviklio saugos informacijoje (spaudinio Nr. 8956002313).

## Bendrieji elektrinio įrankio saugos įspėjimai

**⚠️ ĮSPĖJIMAS** Perskaitykite visus su šiuo gaminiu pateikiamus saugos įspėjimus, instrukcijas, iliustracijas ir specifikacijas.

Jei bus nesilaikoma visų toliau pateiktų instrukcijų, gali kilti elektros smūgio, gaisro, nuosavybės sugadinimo ir (arba) sunkaus sužeidimo pavojus.

**Išsaugokite visus įspėjimus ir nurodymus, kad prireikus vėliau galėtumėte pasiskaityti.**

Įspėjimuose minima sąvoka „elektrinis įrankis“ taikoma elektrai iš tinklo (laidu iš elektros lizdo) ar akumuliatoriumi varomam (belaidžiam) elektriniam įrankiui.

### Darbo vietos sauga

- **Darbo vieta turi būti švari ir gerai apšviesta.** Netvarkingose ar tamsiose vietose galimi nelaimingi atsitikimai.
- **Elektriniais įrankiais nedirbkite sprogiuose atmosferose, pavyzdžiui, ten, kur yra degių skysčių, dujų ar dulkių.** Elektriniai įrankiai sukelia kibirkštis, kurios gali uždegti dulkes ar garus.
- **Dirbdami elektriniais įrankiais pasirūpinkite, kad pašaliniai asmenys ir vaikai būtų atokiau.** Dėl dėmesio atitraukimo galite prarasti įrankio valdymo kontrolę.

### Elektros sauga

- **Stenkitės nesiliesti prie įžemintų paviršių, pavyzdžiui, vamzdžių, radiatorių, viryklių ir šaldytuvų.** Jei kūnas įžemintas, padidėja elektros smūgio pavojus.
- **Saugokite elektrinius įrankius nuo lietaus ar drėgmės.** Į elektrinį įrankį patekęs vanduo padidina elektros smūgio pavojų.

### Asmeninė sauga

- **Dirbdami su elektriniu įrankiu būkite budrūs, stebėkite ką darote ir vadovaukitės sveiku protu.** Nenaudokite elektrinio įrankio pavargę, apsvaigę nuo narkotikų, alkoholio ar vaistų. Dirbant su elektriniu įrankiu užtenka vienos neatidumo akimirkos ir galima sunkiai susižeisti.
- **Naudokite asmeninę apsaugos įrangą. Visada naudokite akių apsaugos priemones.** Susižalojimo pavojų sumažins apsauginė įranga, pavyzdžiui, apsaugos nuo dulkių kaukės, neslystantys apsauginiai batai, šalmas ar klausos apsauga.
- **Apsisaugokite nuo netyčinio paleidimo. Prieš prijungdami įrankį prie maitinimo šaltinio ir (arba) akumuliatorių pakuotės, prieš imdami ar nešdami įrankį patikrinkite, ar jungiklis yra išjungtoje padėtyje.** Jei įrankį nešite pirštą laikydami ant jungiklio arba įjungsite įrankių, kurių jungiklis yra įjungtoje padėtyje, maitinimą, galimi nelaimingi atsitikimai.
- **Prieš įjungdami elektrinį įrankį nuimkite reguliavimo raktą arba veržliaraktį.** Jei veržliaraktis ar raktas liks pritvirtintas prie elektrinio įrankio besisukančios dalies, galite susižaloti.
- **Nepersisverkite. Visuomet tvirtai stovėkite ant žemės, išlaikykite pusiausvyrą.** Taip galėsite geriau valdyti elektrinį įrankį netikėtose situacijose.

- Tinkamai apsirenkite. Nesegėkite papuošalų ir nevilkėkite laisvų drabužių. Drabužius ir plaukus laikykite atokiau nuo judančių dalių. Laisvi drabužiai, papuošalai ar ilgi plaukai gali užsikabinti už judančių dalių.
- Jei įrenginiai skirti prijungti dulkių išsiurbimo ir surinkimo įtaisus, užtikrinkite, kad jie prijungti ir tinkamai naudojami. Surenkant dulkes mažėja pavojai, susiję su dulkėmis.
- Net jei dažnai naudojate elektrinius įrankius, pernelyg neatsipalaiduokite ir neignorukite saugos principų. Dėl nerūpestingų veiksmų galite sunkiai susižaloti net per sekundės dalį.
- Atlikdami veiksmus, kurių metu tvirtinimo elementas gali prisiliesti prie paslėptų laidų, laikykite elektrinį įrankį už izoliuoto laikymo paviršiaus.. Tvirtinimo detalės prisilietus prie laido, kuriuo teka srovė, neizoliuotos metalinės elektrinio įrankio dalys gali sukelti elektros smūgį ir nutrenkti operatorių.

#### Elektrinio įrankio naudojimas ir priežiūra

- Dirbdami su elektriniu įrankiu nenaudokite jėgos. Darbu atlikti naudokite tinkamą įrankį. Tinkamu elektriniu įrankiu geriau ir saugiau atliksite darbą tokiu greičiu, kuriam jis yra numatytas.
- Nenaudokite elektrinio įrankio, jei jo jungiklis neįjungia arba neišijungia. Bet kuris elektrinis įrankis, kurio negalima valdyti jungikliu, yra pavojingas – jį privaloma pataisyti.
- Prieš atlikdami bet kokius pakeitimus, keisdami priedus arba sandėliuodami elektrinius įrankius atjunkite kištuką nuo maitinimo šaltinio ir (arba) akumuliatorių pakuotę nuo elektrinio įrankio. Tokios apsauginės priemonės sumažina pavojų netyčia įjungti elektrinį įrankį.
- Nenaudojamus elektrinius įrankius laikykite vaikams nepasiekiamoje vietoje ir neleiskite dirbti su elektros įrankiu asmenims, nesusipažinusiems su įrankiu arba šiomis instrukcijomis. Naudojami nekvalifikuotų vartotojų, elektriniai įrankiai yra pavojingi.
- Variklinius įrankius ir jų priedus tinkamai prižiūrėkite. Patikrinkite, ar gerai sulygiuotos ir nesukimba judančios dalys, ar dalys nesulūžę ar įrankio eksploatacinė būklė visapusiškai tinkama. Jeigu elektrinis įrankis sugadintas, prieš naudojant jį reikia pataisyti. Dėl netinkamai prižiūrimų elektrinių įrankių gali įvykti nelaimingų atsitikimų.
- Pjovimo įrankiai turi būti aštrūs ir švarūs. Tinkamai techniškai prižiūrimi pjovimo įrankiai aštriais pjovimo galais mažiau strigs, juos bus lengviau valdyti.
- Elektrinį įrankį, priedus, antgalius ir pan. naudokite pagal šias instrukcijas, atsižvelgdami į darbo sąlygas ir darbą, kurį reikia atlikti. Naudojant elektrinį įrankį kitiems darbams nei numatytieji atlikti, gali susidaryti pavojingų situacijų.
- Rankenos ir suėmimo paviršiai turi būti sausi, švarūs, netepaluoti ir nealyvuoti. Dėl slidžių rankenų ar suėmimo paviršiaus nepavyks saugiai naudoti ir valdyti įrankio įvykus netikėtai situacijai.

#### Akumuliatoriaus įrankio naudojimas ir priežiūra

- Įrankius įkraukite tik naudodami gamintojo nurodytą kroviklį. Vieno tipo akumuliatorių pakuotei tinkantis kroviklis, naudojamas kitai akumuliatorių pakuotei krauti, gali kelti gaisro pavojų.
- Elektrinius įrankius naudokite tik su specialiomis akumuliatorių pakuotėmis. Jei naudosite kitokius akumuliatorius, gali kilti susižalojimo ar gaisro pavojus.
- Nenaudojamus akumuliatorius saugokite nuo kitų metalinių daiktų, pavyzdžiui, sąvaržėlių, monetų, raktų, vinių, sraigtų ar kitokių metalinių daiktų, kurie galėtų sujungti vieną gnybtą su kitu. Sulietę akumuliatoriaus gnybtus galite nusideginti arba sukelti gaisrą.
- Esant netinkamoms sąlygoms iš akumuliatoriaus gali išstrykšti skystis; venkite sąlyčio. Jei taip netyčia nutiktų, nuplaukite su vandeniu. Jei skysčio patektų į akis, be minėtų priemonių kreipkitės pagalbos į gydytoją. Iš akumuliatoriaus ištekėjęs skystis gali sudirginti arba nudeginti odą.
- Pažeistų arba modifikuotų akumuliatorių ir įrankių nenaudokite. Apgadinti ar modifikuoti akumuliatoriai gali veikti neprognozuojamai, todėl gali kilti gaisras, sproginimas ar susižalojimo pavojus.
- Saugokite akumuliatorius nuo gaisro ar pernelyg aukštos temperatūros. Dėl aukštesnės negu 130 °C temperatūros poveikio galimas gaisras.
- Laikykitės visų įkrovimo instrukcijų ir neįkraukite akumuliatorių įkroviklio, jei temperatūra neatitinka instrukcijose nurodyto diapazono. Netinkamai įkraunant arba, jei temperatūra neatitinka instrukcijose nurodyto diapazono, galima apgadinti akumuliatorių arba padidinti gaisro pavojų.

#### Priežiūra

- Elektrinį įrankį turi prižiūrėti kvalifikuoti remontininkai, naudojantys tik identiškas atsargines dalis. Taip bus užtikrintas elektrinio įrankio saugumas.
- Niekada neremontuokite akumuliatorių pakuočių. Akumuliatorių pakuotes remontuoti gali tik gamintojas arba įgalioti remonto paslaugų teikėjai.

### Specialios gaminio instrukcijos

#### Įrankio naudojimas

1. Įstatykite įrankį į tinkamą lizdą.
2. Nustatykite teisingą režimą naudodami greičio reguliavimo mygtuką (2).
3. Pasirinkite tinkamą kryptį naudodami atbulinės eigos mygtuką (8).
4. Sureguliuokite įrankį (7) laikydamiesi šiame dokumente aprašytą saugos instrukcijų.
5. Paspauskite ir laikykite nuspauđę paleidiklį (7).
6. Laikykite nuspauđę paleidiklį (7) iki eksploataavimo pabaigos.

**⚠️ ĮSPĖJIMAS Susižalojimo rizika**

Kadangi jėga didėja proporcingai priveržiamo sukimo momentu, dėl netikėto įrankio posūkio kyla pavojus, kad operatorius gali sunkiai sužeisti.

- ▶ Įsitinkite, kad įrankis veikia puikiai ir sistema yra tinkamai užprogramuota.

**Akumulatorius**

Jei akumulatoriai kurį laiką nebuvo eksploatuojami, prieš pradėdami naudoti juos reiktų įkrauti.

Kai temperatūra yra aukštesnė nei 50 °C (122 °F), akumulatoriaus eksploatacinės savybės pablogėja. Saugokite nuo ilgalaikio saulės spindulių arba karščio poveikio (kitais atvejais gali perkaisti).

Kroviklių ir akumuliatorių kontaktai turi visada būti švarūs. Tam, kad užtikrintumėte optimalią eksploatacinių trukmę, po naudojimo akumulatorius visiškai įkraukite. Ilgiausia veikimo trukmė pasiekama tada, kai visiškai įkrautas akumulatorius iš kroviklio iškart išimamas.

Akumuliatoriuje yra apsaugos nuo perkrovos funkcija, kuri padeda išvengti pernelyg didelės apkrovos ir padeda užtikrinti jo ilgaamžiškumą. Jei akumulatorius apkraunamas ekstremaliai, jo elektroninė sistema produktą automatiškai išjungia. Norėdami paleisti iš naujo, produktą išjunkite, tada vėl įjunkite. Jei produkto vėl paleisti nepavyksta, gali būti, kad akumulatorius yra visiškai iškrautas. Tokiu atveju jį reikia įkrauti akumuliatorių krovikliu.

**Techninės priežiūros instrukcijos**

- **Laikykitės šalyje galiojančių vietinių aplinkosaugos taisyklių, reglamentuojančių saugų visų komponentų tvarkymą ir šalinimą.**
- Bet kokie techninės priežiūros ar remonto darbai turėtų būti pavesti kvalifikuotiems specialistams, naudojantiems originalias atsargines dalis. Jei prireikė patarimo dėl techninės priežiūros arba atsarginių dalių, susisieki su gamintoju ar artimiausiu įgaliojuoju prekybos atstovu.
- Siekdami išvengti netyčinio įrenginio veikimo, visada patikrinkite, ar jis atjungtas nuo energijos šaltinio.
- Jei įrankis naudojamas kasdien, jį išardykite ir apžiūrėkite kas 3 mėnesius. Pakeiskite visas pažeistas arba nusidėvėjusias dalis.
- Visas plastikines dalis visada saugokite nuo kontakto su stabdžių skysčiu, benzinu, naftos produktais, skvarbiosiomis alyvomis ir pan. Tokios cheminės medžiagos plastiką gali pažeisti, susilpninti arba sunaikinti. Dėl to gali būti patirti sunkūs sužalojimai.
- Kai valote plastikines dalis, venkite tirpiklių. Daugelį plastikinių detalių komercinės paskirties tirpikliai gali pažeisti. Jei norite pašalinti nešvarumus, dulkes, alyvą, tepalą ar pan., naudokite švarias medžiagines šluostes.

**Šalinimas**

- Šalinant šią įrangą būtina laikytis atitinkamoje šalyje galiojančių įstatymų.
- **NEEKSPLOATUOKITE** apgadintų, labai nusidėvėjusių ar netinkamai veikiančių įrenginių.

- Remonto darbus leiskite atlikti tik techninės priežiūros tarnybos darbuotojams.

**Papildomos atsuktuvų ir veržliarakčių naudojimo saugos taisyklės****Įsipainiojimo pavojai**

- **Laikykitės atokiai nuo besisukančios pavaros.** Jei nelaikysite laisvų drabužių, pirštinių, papuošalų ir kaklo aksesuarų atokiau nuo prietaiso ir priedų, galite uždusti ir (arba) patirti plėštinių žaizdų.
- **Nemūvėkite laisvų pirštinių, ar pirštinių su nupjautais ar nudilusiais pirštais.** Besisukanti pavara gali įtraukti pirštines, todėl galite susižaloti ar susilaužyti pirštus.
- **Besisukantys pavaros lizdai ir pailginimo įtaisai gali įtraukti gumuotas ir metalu padengtas pirštines.**
- **Niekada nelaikykite pavaros, lizdo ar pailginimo įtaiso.**

**Su darbu susiję pavojai**

- **Su įrankiu dirbantys ir jį prižiūrintys darbuotojai turi fiziškai pajėgti išlaikyti įrankį pagal jo tūrį, svorį bei galingumą.**
- **Įrankį laikykite teisingai: būkite pasirengę neutralizuoti įprastus ar staigius įrankio judesius.** Abi rankos turi būti laisvos.
- **Pareguliuavę veržiamąjį įtaisą, tuoj pat patikrinkite, ar gerai veikia.**
- **Jei įrankis sudėvėtas, juo nesinaudokite.** Veržiamasis įtaisas gali neveikti, todėl įrankio rankena gali staiga pasisukti.
- **Visada tvirtai laikykite įrankio rankeną, priešinga ašies sukimuisi kryptimi, kad sumažėtų staigios sukimo momento reakcijos poveikis galutinio priveržimo arba pradinio atsukimo metu.**
- **Jei įmanoma, naudokite pakabos svirtį, kad būtų absorbuojamas atoveiksmio sukimo momentas.** Jei tai neįmanoma, įrankiams tiesiu korpusu ir su pistoleto tipo rankenomis naudokite šonines rankenas; kampiniams veržliasukiams rekomenduojama naudoti atoveiksmio strypus. Bet kokiu atveju rekomenduojama naudoti priemones, kad būtų absorbuojamas atoveiksmio sukimo momentas, didesnis negu 4 Nm (3 svarai į pėdą) įrankiams tiesiu korpusu, didesnis negu 10 Nm (7,5 svarai į pėdą) įrankiams su pistoleto tipo rankena ir didesnis negu 60 Nm (44 svarai į pėdą) kampiniams veržliasukiams.

**Rizikos atvejai, susiję su dalelių lakstymu**

- **Visuomet naudokitės smūgiams atspariomis akių ir veido apsaugos priemonėmis, kai dirbate ar esate šalia dirbančio įrankio, remontuojate ar prižiūrite jį, ar keičiate įrankio detales.**
- **Visi kiti asmenys, esantys netoliese, turi dėvėti poveikiui atsparią akių ir veido apsaugą.** Net smulkios lakstančios dalelės gali sužeisti akis ar apakinti.
- **Tam tikru sukimo momentu besisukančios dalys turi būti patikrintos sukimo momento matuokliu.** Vadinamųjų „spragtelinčių“ sukimo veržliasukių netikrinkite dėl potencialiai pavojingų pernelyg didelio sukimo momento sąlygų. Tvirtinimo detales pernelyg arba

nepakankamai prisukus, jos gali lūžti, atsilaisvinti arba atsiskirti ir rimtai sužaloti. Atsilaisvinusios mazgų detalės gali būti išsviedžiamos.

- **Nenaudokite rankinių veržliarakčių galvučių.** Naudokite tik geros būklės elektros įrankiams skirtas galvutes.
- **Šis įrankis ir jo priedai negali būti keičiamas jokiū būdu.**

**Pavojai dėl pasikartojančio judesio**

- **Dirbdamas elektriniu įrankiu operatorius gali patirti nepatogių pojūčių rankose, pečiuose, kakle ar kitose kūno dalyse.**
- **Pasistenkite stovėti patogiai, kojos turi būti tvirtai atremtos, venkite prarasti pusiausvyrą ir nepatogių padėčių.** Nepatogumo ir nuovargio galima išvengti keičiant kūno padėtį.
- **Neignoraukite simptomų, pavyzdžiui, nuolatinio ar pasikartojančio nepatogumo, skausmo, smilkčiojimo, spengimo, tirpulio, deginimo jausmo ar sustingimo.** Nustokite dirbti įrankiu, informuokite savo darbdavį ir kreipkitės į gydytoją.

**Pavojai darbo vietoje**

- **Paslydimas, suklypimas ar griuvimas yra pagrindinės sunkių ar mirtinų sužeidimų priežastys.** Jei darbo vieta ar darbatalis netvarkingi, galima susižaloti.
- **Įrankio nenaudokite ankštose erdvėse.** Saugokitės, kad rankos nebūtų prispaustos tarp įrankio ir apdirbamo gaminio, ypač atsukant.
- **Įrankio keliamas didelis triukšmas gali negrįžtamai pakenkti klausai.** Naudokite ausų apsaugas, kurias rekomenduoja jūsų darbdavys ar darbuotojų sveikatos ir saugos teisės aktai.
- **Pasirūpinkite, kad ruošinys būtų tvirtai užfiksuotas.**
- **Pasikartojantys judesiai, nepatogios padėty dirbant ir patiriama vibracija gali būti žalingi rankoms.** Jei pajuntate tirpimą, dilgčiojimą, skausmą arba pabąla oda, nustokite dirbti įrankiu ir kreipkitės į gydytoją.
- **Ypač būkite atsargūs nepažįstamoje aplinkoje.** Išsiaiškinkite potencialius pavojus, kuriuos sukelia darbas su varikliu. Įrankis nėra izoliuotas nuo elektros šaltinių.

**Ženkli ir lipdukai**

Ant gaminio yra ženklų ir lipdukų su svarbia informacija apie asmens saugą ir gaminio priežiūrą. Ženkli ir lipdukai turi būti visada lengvai įskaitomi. Naujų ženklų ir lipdukų galima užsisakyti naudojantis atsarginių dalių sąrašu.



**Simboliai**



Prieš imdamiesi bet kokių darbu su šia mašina, išimkite akumuliatorių.



Prieš mašiną paleisdami, atidžiai perskaitykite nurodymus.



Elektrinius įrankius draudžiama šalinti su buitinėmis atliekomis. Elektrinę ir elektroninę įrangą, nebetinkamą eksploatuoti, reikia surinkti atskirai ir grąžinti į aplinkos apsaugos reikalavimus atitinkančią grąžinamojo perdirbimo įstaigą. Dėl informacijos apie grąžinamąjį perdirbimą ir surinkimo vietas kreipkitės į vietos valdžios instituciją arba mažmeninės prekybos atstovą.



Naudotis šia mašina leidžiama tik užsidėjus akinius.

$n_0$

Greitis be apkrovos.

V

Volta

min.<sup>-1</sup>

per min.



Past. sr.



**ATSARGIAI! ĮSPĖJIMAS! PAVOJUS!**

**Naudinga informacija**

**Kilmės šalis**

People's Republic of China

**Tinklavietė**

Informaciją apie mūsų Gaminius, Priedus, Atsargines dalis ir Paskelbtus klausimus rasite Rodcraft puslapyje.

Apsilankykite: [www.rodcraft.com](http://www.rodcraft.com).

**Saugos duomenų lapas**

Saugos duomenų lapuose aprašomi cheminiai produktai, paroduodami Rodcraft.

Apsilankykite Rodcraft svetainėje ir sužinokite daugiau [qr.cp.com/sds](http://qr.cp.com/sds).

**Autorių teisės**

© Copyright 2023, Desoutter GmbH, Edmund-Seng-Str. 3-5, 63477 Maintal, Germany

Visos teisės saugomos. Draudžiamas bet koks šio turinio ar jo dalies naudojimas arba kopijavimas neturint tam leidimo. Tai ypač taikoma prekių ženklams, modelių pavadinimams, dalių numeriams ir brėžiniams. Naudokite tik leistinas dalis. Jei gaminys veiks blogai arba suges dėl neleistinų dalių naudojimo, garantija nebus taikoma.

**Tehniskie dati**

**Produkta apraksts**

Skatiet *Schema 2*.

- 1 Mīkstais rokturis
- 2 Ātruma pielāgošanas poga
- 3 Akumulators
- 4 Akumulatora poga
- 5 Darba lampiņa

6	Ātruma pielāgošanas indikatora lampiņa
7	Slēdža mēlīte
8	Reversā poga
9	Kvadrātveida uzgalis
10	Alumīnija pārsegs

## Deklarācijas

### ES atbilstības deklarācija

Mēs, **Desoutter GmbH**, Edmund-Seng-Str. 3-5, 63477 Maintal, Germany, vienpersoniski uzņemoties atbildību, paziņojam, ka produkts (ar nosaukumu, tipu un sērijas numuru, kas atrodami titullapā) atbilst šai direktīvai(-ām):

2006/42/EC; 2011/65/EU; 2014/30/EU

Piemērotie saskaņotie standarti:

EN 62841-1:2015/A11:2022; EN 62841-2-2:2014; EN IEC 55014-1:2021; EN IEC 55014-2:2021; EN 62233:2008

Iestādes var pieprasīt nepieciešamo tehnisko informāciju no:

Pascal Roussy, R&D Manager, Ets Georges Renault, 38 rue Bobby Sands, BP10273 44818 Saint Herblain, France

Saint-Herblain, 2023/08/28

Pascal ROUSSY



Paraksts

### Pārskats par trokšņa un vibrācijas deklarāciju

Apraksts	RC9067	RC9077	RC9087
Skaņas spiediens (K=3) (dB(A))	92,3	88,4	88,4
Skaņas intensitāte (K=3) (dB(A))	100,3	96,4	96,4
Vibrācijas (K=1,5) (m/s <sup>2</sup> )	5,45	8,15	8,15

Skaņas spiediena, skaņas intensitātes un vibrācijas vērtības ir saskaņā ar standartu EN 62841-2-2:2014 + AC:2015.

Šīs deklarētās vērtības tika iegūtas, izmantojot laboratorijas tipa testēšanu saskaņā ar noteiktajiem standartiem, un tās ir piemērotas tādu instrumentu salīdzināšanai, kuru deklarētās vērtības ir pārbaudītas saskaņā ar tādiem pašiem standartiem. Vibrācijas emisijas līmeni var izmantot iepriekšējam iedarbības novērtējumam. Šīs deklarētās vērtības nav piemērotas riska novērtēšanai, un atsevišķās darba vietās izmērītās vērtības var būt lielākas. Faktiskās iedarbības vērtības un kaitējuma risks katram lietotājam ir unikāls un ir atkarīgs no veida, kā lietotājs strādā, no darba detaļas un darba stacijas konstrukcijas, kā arī iedarbības laika un lietotāja fiziskā stāvokļa.

Mēs, **Desoutter GmbH**, neatbildam par sekām, kas radušās no norādīto vērtību, nevis reālās iedarbības vērtību lietošanas personiskā riska novērtējumā darbavietā situācijā, kuru mēs nekontrolējam.

Ja šī instrumenta lietošana netiek atbilstoši pārvaldīta, tas var izraisīt plaukstu/roku vibrāciju sindromu. ES vadlīnijas par plaukstu-roku vibrāciju var atrast vietnē <http://www.pneurop.eu/index.php>, izvēloties “Instrumenti” un pēc tam “Likumdošana”.

Iesakām izmantot veselības novērošanas programmu, lai atklātu agrīnus simptomus, kas varētu būt saistīti ar vibrācijas iedarbību, lai varētu mainīt atbilstošu darba organizāciju, nepieļaujot turpmāku stāvokļa pasliktināšanos.

- ⓘ Ja šī iekārta ir paredzēta statistiskiem pielietojumiem: Trokšņa emisijas vērtība ir norādīta kā vadlīnija mašīnu ražotājam. Trokšņa un vibrācijas emisijas datiem par visu mašīnu jābūt norādītiem mašīnas lietošanas rokasgrāmatā.

### Reģionālās prasības

#### ⚠ BRĪDINĀJUMS

Šis produkts var jūs pakļaut svina apdraudējumam, kurš Kalifornijas štatā ir zināms kā vēža un iedzimtu defektu izraisītājs, kā arī citu reproduktīvo funkciju kaitējumu avots. Lai saņemtu plašāku informāciju, apmeklējiet

<https://www.p65warnings.ca.gov/>

### Informācija par REACH 33. pantu

Eiropas Regula (ES) Nr. 1907/2006, kas attiecas uz ķīmisko vielu reģistrēšanu, vērtēšanu, licencēšanu un ierobežošanu (REACH) cita starpā nosaka arī prasības, kas saistītas ar komunikāciju piegādes ķēdē. Prasība sniegt informāciju attiecas arī uz produktiem, kas satur tā sauktās īpaši bīstamās vielas („kandidātu saraksts”). 2018. gada 27. jūnijā kandidātu sarakstam tika pievienots svina metāls (CAS Nr. 7439-92-1).

Saskaņā ar iepriekš minēto, ar šo informējam jūs, ka noteiktas elektriskās produkta sastāvdaļas var saturēt svina metālu. Tas ir saskaņā ar spēkā esošajiem tiesību aktiem par vielu ierobežošanu, un to pamatā ir RoHS direktīvā (2011/65/ES) paredzētie likumīgie atbrīvojumi. Parastā lietošanas laikā no ražojuma neizplūst vai nemutējas svina metāls, un svina metāla koncentrācija visā produktā ir ievērojami zemāka par piemērojamo robežvērtību. Lūdzu, ņemiet vērā vietējās prasības attiecībā uz svina iznīcināšanu produkta kalpošanas laika beigās.

## Drošība

NEIZMETIET — NODODIET LIETOTĀJAM

- ⚠ **BRĪDINĀJUMS** Izlasiet visus drošības brīdinājumus, norādījumus, ilustrācijas un specifikācijas, kas saņemtas kopā ar šo elektroinstrumentu.

Neievērojot visus tālāk sniegtos norādījumus, varat izraisīt elektrisko triecienu, ugunsgrēku un/vai smagas traumas.

Saglabājiet visus brīdinājumus un norādījumus turpmākai uzziņai.

- ⚠ **BRĪDINĀJUMS** Pastāvīgi jāievēro visi vietējie drošības noteikumi, kas attiecas uz uzstādīšanu, ekspluatāciju un apkopi.

**Produkta pielietojums**

- Tikai profesionālai lietošanai.
- Šo produktu un tā palīgaprīkojumu aizliegts jebkādā veidā pārveidot.
- Neizmantojiet šo produktu, ja tas ir bojāts.
- Ja produkta dati vai bīstamības brīdinājuma zīmes uz produkta vairs nav salasāmas vai atļīmējas, nekavējoties nomainiet tās.
- Šo produktu drīkst uzstādīt, lietot un apkalpot tikai kvalificēta persona rūpnieciskā montāžas vidē.

**Paredzētais pielietojums**

Šis produkts ir paredzēts tam, lai to lietotu pieaugušie, kas ir izlasījuši un sapratuši instrukcijas un brīdinājumus šajā rokasgrāmatā, un uzņemas pilnu atbildību par savām darbībām.

- Šis produkts paredzēts vītņotu stiprinājumu ieskrūvēšanai un izskrūvēšanai no koka, metāla vai plastmasas.
- Neizmantojiet produktu citiem mērķiem, kas nav aprakstīti iepriekš.
- Tikai lietošanai telpās.
- Citi lietošanas veidi nav atļauti.

Izmantojiet tikai šādus akumulatorus un lādētājus.

RC20BA20: 8951000467

RC20BA40: 8951000468

RC20BA60: 8951000469

Akumulatorus drīkst uzlādēt tikai ar Rodcraft akumulatoru lādētājiem.

RC20CHEU: 8951000470

RC20CHUK: 8951000471

Lai iepazītos ar pilnu instrukciju, skatiet akumulatora lādētāja drošības informāciju (drukātais materiāls Nr. 8956002313).

**Vispārīgi elektroinstrumentu drošības brīdinājumi**

**⚠ BRĪDINĀJUMS** Izlasiet visus drošības brīdinājumus, norādījumus, ilustrācijas un specifikācijas, kas saņemtas kopā ar šo produktu.

Neievērojot visus tālāk sniegtos norādījumus, varat izraisīt elektrisko triecienu, ugunsgrēku, īpašuma bojājumus un/vai smagas traumas.

**Saglabājiet visus brīdinājumus un norādījumus turpmākai uzziņai.**

Brīdinājumus ar vārdu “elektroinstrumenti” ir apzīmēts jūsu no elektrotīkla darbināmais elektroinstrumenti (ar vadu) vai ar akumulatora strāvu darbināmais (bezvadu) elektroinstrumenti.

**Darba zonas drošība**

- **Uzturiet darba zonu tīru un labi apgaismotu.** Nekārtīgās un tumšās vietās negadījumu risks ir lielāks.
- **Nestrādājiet ar elektroinstrumentiem sprādzienbīstamās vidēs, piemēram, ja tuvumā ir uzliesmojoši šķidrums, gāzes vai putekļi.** Elektroinstrumenti rada dzirksteles, kas var aizdedzināt putekļus vai dūmus.

- **Kamēr strādājat ar elektroinstrumentu, tuvumā nedrīkst atrasties bērni un citas personas.** Novēršot uzmanību, varat zaudēt kontroli.

**Elektrodrošība**

- **Izvairieties no ķermeņa saskares ar saņemtajām virsmām, piemēram, caurulēm, radiatoriem un ledusskapjiem.** Ja ķermenis ir iezemēts, pastāv paaugstināts elektrošoka risks.
- **Nepakļaujiet elektroinstrumentus lietus vai mitruma iedarbībai.** Ja elektroinstrumentā iekļūst ūdens, tas palielina elektrošoka risku.

**Personiskā drošība**

- **Strādājot ar elektroinstrumentu, esiet uzmanīgs, sekojiet savām darbībām un rīkojieties saprātīgi.** Neizmantojiet elektroinstrumentu, kamēr esat noguris, vai narkotiku, alkohola un medikamentu iedarbības laikā. Neuzmanības mirklis, strādājot ar elektroinstrumentu, var izraisīt smagas traumas.
- **Izmantojiet individuālos aizsarglīdzekļus. Vienmēr valkājiet acu aizsarglīdzekļus.** Aizsargierīces, piemēram, putekļu maskas, neslīdoši apavi, ķivere vai dzirdes aizsargi, kas jāizmanto attiecīgos apstākļos, samazinās traumu risku.
- **Nodrošiniet ierīci pret neparedzētu iedarbināšanu. Pirms instrumenta pieslēgšanas barošanas avotam un/vai akumulatoram, tā pacelšanas vai nešanas pārbaudiet, vai barošanas slēdzis ir izslēgtā pozīcijā.** Elektroinstrumentu nešana ar pirkstu uz slēdža vai strāvas pieslēgšana instrumentiem, kuru barošanas slēdzis ir ieslēgtā pozīcijā, palielina negadījumu riskus.
- **Pirms ieslēdzat elektroinstrumentu, noņemiet regulēšanas atslēgas vai uzgriežņatslēgas.** Uzgriežņatslēga vai atslēga, kas palikusi piestiprināta pie elektroinstrumenta rotējošās daļas, var izraisīt traumu.
- **Nesniedzieties pārāk tālu. Vienmēr saglabājiet pienācīgu kāju balstu un līdzsvaru.** Tas atvieglo kontroli pār elektroinstrumentu negaidītās situācijās.
- **Ģērbieties atbilstoši. Nevalkājiet vaļīgu apģērbu vai rotaslietas. Matus un apģērbu turiet atstatu no kustīgām daļām.** Vaļīgs apģērbs, rotaslietas vai gari mati var iekerties kustīgās daļās.
- **Ja komplektācijā ir iekļautas ietaises putekļu nosūkšanai un savākšanai, tām jābūt pieslēgtām un pareizi izmantotām.** Putekļu nosūkšana var mazināt ar putekļiem saistītos riskus.
- **Tāpēc, ka bieži esat lietojis šādus instrumentus, neklūstiet bezrūpīgs un neignorējiet instrumenta drošības principus.** Bezrūpīgas darbības var radīt smagus bojājumus sekundes simtdaļas laikā.
- **Veicot darbus, kuros stiprinājums var saskarties ar segtu elektroinstalāciju, turiet elektroinstrumentu aiz izolētajām satveršanas virsmām.** Ja stiprinājumi saskaras ar elektrību vadošu vadu, instrumenta atklātās metāla daļas var sākt vadīt elektrību un izraisīt elektrošoku operatoram.



### Elektroinstrumenta lietošana un aprūpe

- **Nespiediet elektroinstrumentu ar spēku. Izmantojiet lietošanas veidam atbilstošu elektroinstrumentu.** Pareizais elektroinstrumenti paveiks darbu labāk un drošāk tajā ātrumā, kādam tas ir paredzēts.
- **Neizmantojiet elektroinstrumentu, ja to neieslēdz un neizslēdz barošanas slēdzis.** Jebkurš elektroinstrumenti, kuru nevar kontrolēt ar slēdzi, ir bīstams, un tam jāveic remonts.
- **Atvienojiet kontaktdakšu no barošanas avota un/vai akumulatoru (ja noņemams) no elektroinstrumenta, pirms veicat regulēšanu, maināt piederumus vai noglabājat elektroinstrumentu.** Šādi profilaktiski drošības pasākumi mazina elektroinstrumenta nejaušas palaišanas risku.
- **Glabājiet neizmantotus elektroinstrumentus vietās, kur tiem nevar piekļūt bērni, un neļaujiet ar elektroinstrumentu strādāt personām, kuras nepārzina šo elektroinstrumentu vai šos norādījumus.** Elektroinstrumenti neapmācīta lietotāja rokās ir bīstami.
- **Uzturiet darba kārtībā elektroinstrumentus un piederumus.** Pārbaudiet, vai kustīgās daļas nav izregulējušās vai aizķērušās, vai nav salūzušās daļas un vai nav kādu citu apstākļu, kas var ietekmēt elektroinstrumenta darbību. Ja tas ir bojāts, elektroinstrumentam pirms lietošanas jāveic remonts. Daudzus negadījumus izraisa slikti uzturēti elektroinstrumenti.
- **Gādājiet, lai griezējinstrumenti būtu asi un tīri.** Pareizi uzturētiem griezējinstrumentiem ar asām malām ir mazāks risks aizķerties, un tos ir vieglāk kontrolēt.
- **Izmantojiet elektroinstrumentu, piederumus un urbju/darba ietaises utt. saskaņā ar šiem norādījumiem, ņemot vērā darba apstākļus un veicamos darbus.** Elektroinstrumentu izmantošana darbiem, kas atšķiras no paredzētā lietošanas veida, var izraisīt bīstamas situācijas.
- **Ievērojiet, lai rokturi un satveršanas virsmas būtu sausas, tīras un brīvas no eļļas un smērvielām.** Slideni rokturi un satveršanas virsmas nenodrošina drošu darbu un instrumenta kontroli neparedzētās situācijās.

### Akumulatora instrumenta lietošana un aprūpe

- **Uzslēdziet tikai ar lādētāju, kādu norādījis ražotājs.** Lādētājs, kas paredzēts vienam akumulatoram, var izraisīt aizdegšanās risku, ja to izmanto ar citu akumulatoru.
- **Izmantojiet elektroinstrumentus tikai ar speciāli norādītajiem akumulatoriem.** Citu akumulatoru izmantošana var izraisīt traumu un aizdegšanās risku.
- **Kamēr akumulators netiek lietots, turiet to atstātus no citiem metāla priekšmetiem, piemēram, papīra skavām, monētām, atslēgām, naglām, skrūvēm vai citiem maziem metāla priekšmetiem, kas var radīt savienojumu starp akumulatora spailēm.** Akumulatora spaiļu īsslēgums var izraisīt apdegumus un aizdegšanos.
- **Smagos darba apstākļos no akumulatora var izkļūt šķidrums; izvairieties no saskares. Ja nejauši saskaraties ar to, noskalojiet ar ūdeni. Ja šķidrums nonāk acīs, lūdziet arī medicīnisku palīdzību.** No akumulatora iztecējis šķidrums var izraisīt kairinājumu vai apdegumus.

- **Nelietojiet akumulatoru vai instrumentu, kas ir bojāts vai pārveidots.** Bojāts vai pārveidots akumulators var sekmēt neparedzamas darbības, kā rezultātā var notikt degšana, sprādziens vai var rasties ievainojuma risks.
- **Nepakļaujiet akumulatoru vai instrumentu atklātai liesmai vai pārmērīgas temperatūras iedarbībai.** Pakļaušana atklātai liesmai vai temperatūrai virs 130 °C var izraisīt sprādzienu.
- **Sekojiet visām uzlādēšanas instrukcijām un neuzlādējiet akumulatoru vai instrumentu ārpus temperatūras amplitūdas, kas norādīta norādījumos.** Nepareizi uzlādējot vai pie temperatūras ārpus norādītās amplitūdas, var tikt bojāts akumulators, un palielināties ugunsgrēka risks.

### Apkope

- **Elektroinstrumenta apkope jāveic kvalificētai personai, izmantojot tikai identiskas rezerves daļas.** Tādā veidā tiks saglabāta elektroinstrumenta drošība.
- **Neveiciet bojāta akumulatora apkopi.** Akumulatora apkopi var veikt tikai ražotājs vai pilnvaroti pakalpojuma sniedzēji.

## Produktam specifiskas instrukcijas

### Instrumenta lietošana

1. Uzstādiet instrumentu ar piemērotu ligzdu.
2. Iestatiet pareizo režīmu, izmantojot ātruma pielāgošanas pogu (2).
3. Izvēlieties pareizo griešanās virzienu, izmantojot reverso pogu (8).
4. Pozicionējiet instrumentu, ievērojot šajā dokumentā aprakstītos drošības norādījumus.
5. Nospiediet un turiet nospiestu slēdža mēlīti (7).
6. Turiet mēlīti (7) nospiestu līdz darba beigām.

### BRĪDINĀJUMS Savainošanās risks

Tā kā reakcijas spēks palielinās proporcionāli pievilksanas griezes momentam, instrumenta neparedzētas darbības rezultātā operators var gūt smagus miesas bojājumus.

- Pārlicinieties, vai instruments ir nevainojamā darba kārtībā un sistēma ir pareizi ieprogramēta.

### Akumulators

Akumulatori, kas nav izmantoti kādu laiku, pirms lietošanas atkal jāuzlādē.

Temperatūra, kas pārsniedz 50 °C (122 °F), samazina akumulatora veiktspēju. Izvairieties no ilgstošas siltuma vai saules iedarbības (pārkaršanas risks).

Lādētāju un akumulatoru kontaktiem jābūt tīriem.

Lai nodrošinātu optimālu kalpošanas laiku, pēc izmantošanas akumulatoriem jābūt pilnībā uzlādētiem. Lai pēc iespējas ilgāk lietotu akumulatoru, izņemiet to no akumulatora lādētāja, tiklīdz tas ir pilnībā uzlādēts.

Akumulatoram ir pārlādēšanas aizsardzība, kas to pasargā no pārlādēšanas un ļauj nodrošināt tā ilgmūžību. Pie ārkārtas slodzes akumulatora elektronika automātiski izslēdzas. Lai to restartētu, izslēdziet produktu un pēc tam atkal ieslēdziet. Ja

produkts vēlreiz neieslēdzas, iespējams, akumulators ir pilnībā izlādējies. Šajā gadījumā tas jāuzlādē akumulatoru lādētājā.

### Apkopes norādījumi

- Ievērojiet vietējos vides normatīvus par apiešanos ar visiem komponentiem un to utilizāciju.
- Apkopes un remonta darbi jāveic kvalificētam personālam, izmantojot tikai oriģinālās rezerves daļas. Sazinieties ar ražotāju vai tuvāko pilnvaroto izplatītāju, lai saņemtu konsultāciju par tehnisko apkopi, vai, ja jums ir nepieciešamas rezerves daļas.
- Vienmēr pārliecinieties, ka mašīna ir atslēgta no enerģijas avota, lai izvairītos no nejaušas darbināšanas.
- Demontējiet un pārbaudiet instrumentu ik pēc 3 mēnešiem, ja instruments tiek lietots katru dienu. Nomainiet bojātas vai nodilušas daļas.
- Nekādā gadījumā neļaujiet bremžu šķidrumiem, benzīnam, naftas produktiem, iekļūstošām eļļām u.c., saskarties ar plastmasas detaļām. Ķīmiskās vielas var sabojāt, vājināt vai iznīcināt plastmasu, kas var izraisīt nopietnus savainojumus.
- Plastmasas detaļu tīrīšanai neizmantojiet šķīdinātājus. Vairumam plastmasas detaļu bojājumi var rasties no dažāda veida komerciālajiem šķīdinātājiem, kuru lietošana var sabojāt šīs daļas. Izmantojiet tīras drēbes, lai noņemtu netīrumus, putekļus, eļļu, taukus u.c.

### Utilizācija

- Šī aprīkojuma utilizācijai jānotiek, ievērojot attiecīgās valsts likumdošanu.
- Visu bojāto, smagi nolietoto vai nepareizi darbojošos ierīču **EKSPLUATĀCIJA IR JĀPĀRTRAUC.**
- Remontu drīkst veikt tikai tehniskās apkopes personāls.

### Papildu drošības noteikumi skrūvgriežiem un uzgriežatslēgām

#### Sapīšanās riski

- **Turiet atstatus no rotējošās piedziņas.** Ja vaļīgas drēbes, cimdi, rotaslietas, kaklarotas un mati netiek turēti atstatus no instrumenta un tā piederumiem, var tikt izraisīta žņaugšana, skalpēšana un/vai plēstas brūces.
- **Nevalkāji vaļīgus cimdus vai cimdus ar iegriezumiem vai nodriskātiem pirkstiem.** Rotējošā vārpsta var aizķert cimdus, izraisot cimdu iespiešanu vai salaušanu.
- **Vārpstas uzgaļi un pagarinājumi var viegli aizķert gumijas vai metāla pastiprinātus cimdus.**
- **Nekādā gadījumā neturiet vārpstu, mucīņu vai vārpstas pagarinājumu.**

#### Ekspluatācijas riski

- **Operatoriem un apkopes personālam ir jāprot apieties ar instrumenta lielumu, svaru un tā jaudu.**
- **Turiet instrumentu pareizi: esiet gatavs pretdarboties normālām vai pēkšņām kustībām.** Jābūt pieejamām abām rokām.

- **Tūlīt pēc sajūga regulēšanas pārbaudiet instrumenta pareizu darbību.**
- **Nelietojiet nodilušu.** Sajūgs var nenostrādāt, kas izraisa pēkšņu instrumenta roktura griešanos.
- **Vienmēr droši balstiet instrumenta rokturi pretēji vārpstas griešanās virzienam, lai mazinātu pēkšņa atsitiena sekas galējas pievilkšanas un sākotnējās atskrūvēšanas laikā.**
- **Ja iespējams, izmantojiet piekares sviru, lai absorbētu reakcijas griezes momentu. Ja tas nav iespējams, taisna korpusa un pistoles roktura instrumentiem ieteicams izmantot sānu rokturus; leņķa uzgriežatslēgām ieteicams izmantot reakcijas stieņus.** Jebkurā gadījumā ir ieteicams izmantot palīglīdzekļus, lai absorbētu reakcijas griezes momentu virs 4 Nm (3 lbf.ft) taisna korpusa instrumentiem, virs 10 Nm (7,5 lbf.ft) pistoles roktura instrumentiem un virs 60 Nm (44 lbf.ft) leņķa uzgriežatslēgām.

#### Lidojošu objektu bīstamība

- **Vienmēr, strādājot ar instrumentu vai esot tuvumā, veicot remontu vai apkopi vai mainot tā piederumus, valkāji triecienizturīgus acu un sejas aizsargus.**
- **Pārliecinieties, vai citas personas darba zonā lieto atbilstošu acu un sejas aizsardzības līdzekļus.** Pat niecīgākās atlūzas var radīt acs traumu un izraisīt aklumu.
- **Montāžas mezgļi, kuriem nepieciešams konkrēts griezes moments, ir jāpārbauda ar griezes momenta mērītāju.** Tā saucamās "klikšķa" momentatslēgas nenodrošina pilnīgu aizsardzību pret pārāk stipru piegriešanu. Pārāk pievilkti vai vaļīgi stiprinājumi var radīt smagas traumas, tiem lūstot vai atskrūvējoties un atdaloties. Izkritušas detaļas no instrumenta var tikt izsviestas ar spēku.
- **Neizmantojiet rokas mucīņas.** Izmantojiet tikai elektroinstrumentiem vai pneimoinstrumentiem paredzētas mucīņas labā stāvoklī.
- **Šo ierīci un tās piederumus nedrīkst pārveidot.**

#### Atkārtotu kustību bīstamība

- **Izmantojot elektroinstrumentu, lai veiktu ar darbu saistītas aktivitātes, operators var izjust diskomfortu plaukstās, rokās, plecos, kaklā vai citās ķermeņa daļās.**
- **Ieņemiet ērtu pozu, saglabājiet drošu atbalstu ar kājām un izvairieties no neērtām nelīdzsvarotām pozām.** Pozas maiņa ilgstošu darbu laikā var palīdzēt izvairīties no diskomforta un noguruma.
- **Neignorējiet tādus simptomus kā pastāvīgs vai regulārs diskomforts, sāpes, pulsēšana, smeldzi, dzīnkstēšana, tirpums, dedzināšanas sajūta vai stīvums.** Pārtrauciet instrumenta izmantošanu, paziņojiet par to darba devējam un konsultējieties ar ārstu.

#### Darba vietas riski

- **Slidēšana/aizķeršanās/nokrišana ir viens no galvenajiem smagu traumu vai nāves cēloņiem.** Nekārtīgas darba zonas un darbapaldi palielina traumu risku.
- **Nelietojiet šaurās telpās.** Sargiet rokas no iespiešanas starp instrumentu un apstrādājamo materiālu, it īpaši atskrūvēšanas laikā.

- **Liela skaņas intensitāte var izraisīt paliekošus dzirdes traucējumus.** Izmantojiet piemērotus ausu aizsardzības līdzekļus, kā to nosaka jūsu darba devējs vai darba drošības un veselības aizsardzības noteikumi.
- **Sekoļiet tam, lai apstrādājama materiāls būtu kārtīgi nofiksēts.**
- **Atkārtotas darba kustības, neērtas pozīcijas un vibrācijas iedarbība var kaitēt plaukstām un rokām.** Konstatējot nejutīgumu, tirpšanu, sāpes vai ādas bālumu, pārtrauciet instrumenta izmantošanu un konsultējieties ar ārstu.
- **Svešā darba vidē darbojieties uzmanīgi.** Strādājot uzmanieties no potenciālas bīstamības, kas var rasties jūsu darbības rezultātā. Šis instruments nav nodrošināts pret saskari ar elektrisko strāvu vadošiem elementiem.

## Zīmes un uzlīmes

Produktam ir zīmes un uzlīmes, kas satur svarīgu informāciju par personisko drošību un produkta apkopi. Zīmēm un uzlīmēm vienmēr jābūt viegli salasāmām. Jaunas zīmes un uzlīmes var pasūtīt, izmantojot rezerves daļu sarakstu.



s011050

## APZĪMĒJUMI



Izņemiet akumulatoru, pirms sākat darbu pie iekārtas.



Pirms iekārtas palaišanas uzmanīgi izlasiet norādījumus.



Neizmetiet elektroinstrumentus kopā ar sadzīves atkritumiem. Elektroinstrumenti un elektroniskās iekārtas, kurām beidzies kalpošanas laiks, jāsavāc atsevišķi un jānogādā uz videi nekaitīgu pārstrādes uzņēmumu. Lai saņemtu ieteikumus par otrreizējo pārstrādi un noskaidrotu savākšanas punktu, sazinieties ar vietējo pašvaldības iestādi vai mazumtirgotāju.



Lietojot iekārtu, vienmēr valkājiet aizsargbrilles.

$n_0$  Brīvgaitas ātrums.

V Volti

$\text{min}^{-1}$  minūtē



Līdzstrāva



UZMANĪBU! BRĪDINĀJUMS! BĪSTAMI!

## Noderīga informācija

### Izcelsmes valsts

People's Republic of China

## Vietne

Informāciju par mūsu produktiem, piederumiem, rezerves daļām un publicētajiem materiāliem var atrast Rodcraft tīmekļa vietnē.

Lūdzu, apmeklējiet: [www.rodcraft.com](http://www.rodcraft.com).

## Drošības datu lapa

Drošības datu lapās aprakstīti Rodcraft pārdotie ķīmiskie produkti.

Lai iegūtu plašāku informāciju, lūdzu, apmeklējiet Rodcraft tīmekļa vietni [qr.cp.com/sds](http://qr.cp.com/sds).

## Autortiesības

© Autortiesības 2023, Desoutter GmbH, Edmund-Seng-Str. 3-5, 63477 Maintal, Germany

Visas tiesības paturētas. Saturs vai tā daļas neatļauts izmantotšana vai kopēšana ir aizliegta. It sevišķi tas attiecas uz preču zīmēm, modeļu nosaukumiem, daļu numuriem un rasējumiem. Izmantojiet tikai atļautas daļas. Garantija vai ražotāja atbildība par produktu neattiecas uz kaitējumiem vai darbības traucējumiem, ko izraisījusi neatļautu daļu lietošana.

## 技术数据

### 产品描述

请参见 *Schema 2*。

1	软手柄
2	速度调节按钮
3	电池组
4	电池组按钮
5	工作灯
6	速度调节指示灯
7	开关触发器
8	反向按钮
9	方形驱动头
10	铝盖

## 声明

### EU 符合性声明

我们 ( Desoutter GmbH, Edmund-Seng-Str. 3-5, 63477 Maintal, Germany ) 全权声明, 本产品 ( 名称、型号和序列号, 请见首页 ) 符合以下指令:

2006/42/EC; 2011/65/EU; 2014/30/EU

应用的协调标准:


EN 62841-1:2015/A11:2022; EN 62841-2-2:2014; EN IEC 55014-1:2021; EN IEC 55014-2:2021; EN 62233:2008

政府机构可索取相关技术信息:

Pascal Roussy, R&D Manager, Ets Georges Renault, 38 rue Bobby Sands, BP10273 44818 Saint Herblain, France



Saint-Herblain, 2023/08/28  
Pascal ROUSSY

签名  


## 噪音与振声明

说明	RC9067	RC9077	RC9087
声压 (K=3) (dB(A))	92.3	88.4	88.4
声功率 (K=3) (dB(A))	100.3	96.4	96.4
振动 (K=1.5) (m/s <sup>2</sup> )	5.45	8.15	8.15

声压、声功率和振动值符合 EN 62841-2-2:2014 + AC:2015 标准。

这些声明值均根据所述标准通过实验室型式试验得出，适用于与采用相同标准试验的其他工具之声明值进行比较。震动发射水平可以用于进行暴露初步评估。此类声明值不适合用于风险评估，在个别作业场所测得的数值可能会更高。个别用户经受的实际暴露值以及危害风险可能因人而异，具体视该用户的作业方式、工件及工作站设计、暴露时间以及其身体状况而定。

**Desoutter GmbH 郑重声明：**对于不受其控制的工作场所状况下进行的单独风险评估，如使用声明值而非实际暴露值，则 Desoutter 对其后果不负任何责任。

若未经充分处理就使用本工具，可能会引起手-臂振动症状。有关预防手臂振动的 EU 指南，请访问 <http://www.pneurop.eu/index.php> 并选择“工具”-“法规”进行查看。

我们建议制定一个健康监督方案，以尽早检测出可能与振动接触相关的早期症状，从而对管理程序进行修改，避免今后造成损害。

- ❗ 如果本设备适合于拧紧机系统：所提供的噪声排放信息可供机器装配者参考。整套机器的噪声和振动发射数据应在机器的指导手册中提供。

## 区域性要求

### ⚠ 警告

该产品可能会使您暴露于化学物质（包括铅），加利福尼亚州已明确铅可导致癌症和先天缺陷或其他生殖危害。更多信息请访问

<https://www.p65warnings.ca.gov/>

## 有关 REACH 第 33 条的信息

欧洲法规 (EU) No. 1907/2006 化学品的注册、评估、授权和限制 (REACH) 定义了与供应链中通信相关的要求。信息要求也适用于含有所谓高度关注物质（“候选列表”）的产品。2018 年 6 月 27 日，铅金属（CAS 编号 7439-92-1）被纳入候选列表。

根据上述要求，特此通知您产品中的某些电气部件可能含有铅金属。这符合现行的物质限制法规，并基于 RoHS 指令 (2011/65/EU) 中的合法豁免。在正常使用过程中，铅金属不会从产品中泄漏或突变，并且整个产品中的铅金属浓度远低于适用的阈值限制。请考虑当地对产品寿命终止时铅处置的要求。

## 安全

切勿丢弃 – 请交给使用者

### ⚠ 警告 阅读随本电动工具提供的所有安全警告、说明、图解和规定。

不遵守下列全部说明可能导致电击、火灾和/或严重的伤害。

保存所有警告和说明书以备查阅。

### ⚠ 警告 安装、操作以及维护过程中必须始终遵守当地的安全法规。

## 使用声明

- 仅供专业使用。
- 此产品及其附件不得以任何形式进行改造。
- 如果此产品已损坏，则不得使用。
- 如果产品上的产品数据或危险警示牌不再清晰可读或已脱落，请立即更换。
- 该产品必须只能由具有相关资质的人员在工业环境中安装、操作和维护。

## 预期用途

此产品只能由阅读并理解本手册中的说明和警告、并且可以被视为对其行为负责的成年人使用。

- 此产品用于安装和拆卸木制、金属制或塑料制的螺纹扣件。
- 不要将此产品用于上述用途以外的任何其他用途。
- 仅供室内使用。
- 不得用于其他用途。

仅使用以下电池组和充电器。

RC20BA20 : 8951000467

RC20BA40 : 8951000468

RC20BA60 : 8951000469

电池组仅可用 Rodcraft 电池充电器充电。

RC20CHEU : 8951000470

RC20CHUK : 8951000471

有关完整说明，请参阅电池组充电器的安全信息（印刷品编号：8956002313）。

## 电动工具通用安全警告

### ⚠ 警告 阅读随本产品提供的所有安全警告、说明、图解和规格。

不遵守下列全部说明可能导致电击、火灾、财产损失和/或严重的伤害。

保存所有警告和说明书以备查阅。

在所有下列的警告中术语“电动工具”指市电驱动（有线）电动工具或电池驱动（无线）电动工具。

## 工作场地的安全

- 保持工作场地清洁和明亮。混乱和黑暗的场地会引发事故。

- 不得在爆炸性环境（例如存在易燃液体、气体或粉尘的环境）中操作电动工具。电动工具产生的火花会点燃粉尘或气体。
- 让儿童和旁观者离开后操作电动工具。注意力不集中会使操作者失去对工具的控制。

#### 电气安全

- 避免人体接触接地表面，如管道、散热片和冰箱。如果你身体接地会增加电击危险。
- 不得将电动工具暴露在雨中或潮湿环境中。水进入电动工具将增加电击危险。

#### 人身安全

- 保持警觉，当操作电动工具时关注所从事的操作并保持清醒。当你感到疲倦，或在有药物、酒精或治疗反应时，不要操作电动工具。在操作电动工具时瞬间的疏忽会导致严重人身伤害。
- 使用个人防护装置。始终佩戴护目镜。安全装置，诸如适当条件下使用防尘面具、防滑安全鞋、安全帽、听力防护等装置能减少人身伤害。
- 防止意外起动。确保开关在连接电源和/或电池盒、拿起或搬运工具时处于关断位置。手指放在已接通电源的开关上或开关处于接通时插入插头可能会导致危险。
- 在电动工具接通之前，拿掉所有调节钥匙或扳手。遗留在电动工具旋转零件上的扳手或钥匙会导致人身伤害。
- 手不要伸展得太长。时刻注意立足点和身体平衡。这样在意外情况下能很好地控制电动工具。
- 着装适当。不要穿宽松衣服或佩戴饰品。让你的头发和衣服远离运动部件。宽松衣服、佩饰或长发可能会卷入运动部件中。
- 如果提供了与排屑、集尘设备连接用的装置，要确保他们连接完好且使用得当。使用这些装置可减少尘屑引起的危险。
- 不要以为熟练操作工具就自满大意，而无视工具安全原则。操作疏忽可能瞬间导致重伤。
- 在紧固件可能与隐藏接线接触之处进行操作时，请手握电动工具的绝缘抓握表面。紧固件接触“带电”电线可能导致电动工具的裸露金属部件“带电”，并可能造成操作员触电。

#### 电动工具使用和注意事项

- 不要滥用电动工具。根据用途使用适当的电动工具。选用适当设计的电动工具会使你工作更有效、更安全。
- 如果开关不能接通或关断工具电源，则不能使用该电动工具。不能用开关来控制的电动工具是危险的且必须进行修理。
- 在进行任何调节、更换附件或贮存电动工具之前，必须从电源上拔掉插头和/或使电池盒（如果可拆卸）与工具脱开。这种防护性措施将减少工具意外起动的危险。
- 将闲置不用的电动工具贮存在儿童所及范围之外，并且不要让不熟悉电动工具或对这些说明不了解的人操作电动工具。电动工具在未经培训的用户手中是危险的。

- 维护电动工具和配件。检查运动件是否调整到位或卡住，检查零件破损情况和影响电动工具运行的其他状况。如有损坏，电动工具应在使用前修理好。许多事故由维护不良的电动工具引发。
- 保持切削刀具锋利和清洁。保养良好的有锋利切削刃的刀具不易卡住而且容易控制。
- 按照使用说明书，考虑作业条件和进行的作业来使用电动工具、附件和工具的刀头等。将电动工具用于那些与其用途不符的操作可能会导致危险。
- 保持手柄和抓握表面清洁、干爽，同时不含润滑油和润滑脂。在出现意外状况时湿滑的手柄和抓握表面将无法安全操控工具。

#### 电池供电工具的使用与保养

- 必须使用厂商指定的充电器充电。将适合一种电池组类型的充电器用于其他电池组时，有造成火灾的危险。
- 必须将电动工具与专门指定的电池组配套使用。使用任何其他电池组都有造成受伤和火灾的风险。
- 当不使用电池组时，使其远离曲别针、硬币、钥匙、钉子、螺钉等其他金属物件，或者会导致接线端互相连接的其他小型金属物件。电池端子之间短路可能会造成烧烫伤或火灾。
- 使用不当时，电池液可能会从电池内喷出；避免接触。如果发生意外接触，用清水冲洗。如果液体接触眼睛，还应寻求医疗救助。电池中泄露出的液体可能会导致刺激或灼伤。
- 不要使用受损或改装的电池组或工具。受损或改装的电池可能出现意外问题，从而导致火灾、爆炸或受伤风险。
- 不得将电池组或工具置于火旁或使其经受超高温。置于火旁或经受超过 130 °C 的温度可能引起爆炸。
- 遵守各项充电操作说明，不得在操作说明规定的温度范围之外给电池组或工具充电。充电不当或在规定的温度范围之外充电可能损坏电池并增大着火的风险。

#### 服务

- 将你的电动工具送交专业维修人员，使用同样的备件进行修理。这样将确保所维修的电动工具的安全性。
- 切勿修理损坏的电池组。只能由制造商或授权服务供应商对电池组进行维修。

#### 产品特定说明

#### 操作工具

1. 为工具配备合适的套筒。
2. 使用速度调节按钮 (2) 设置正确的模式。
3. 使用反向按钮 (8) 选择正确的方向。
4. 按照本文中描述的安全说明放置工具。
5. 按下并按住开发触发器 (7)。
6. 按住触发器 (7) 直到操作结束。

#### ⚠ 警告 受伤风险

由于反作用力与拧紧扭矩成比例地增加，因此存在由于工具的意外行为而导致操作员身体严重受伤的风险。

- ▶ 确保工具处于完好工作状态并且控制器编程正确。

## 电池

一段时间未使用的电池组应在使用前进行充电。温度超过 50°C (122°F) 时会使电池组性能下降。避免长时间暴露在热源或阳光下（存在过热风险）。充电器和电池组的触点必须保持洁净。为优化寿命，使用后电池组必须充满电。为获得尽可能最长的电池寿命，一旦充满电必须将电池组从充电器中取出。

电池组具有可以防止过载的过载保护功能，并有助于确保较长的使用寿命。在极端压力下，电池电子器件会自动关闭产品。要重新启动，请关闭产品，然后重新打开。如果产品不能再次启动，电池组可能已经完全放电。在这种情况下，它必须在电池充电器中充电。

## 维护说明

- 请遵守当地的国家环境法规，安全处理和弃置所有组件。
- 必须由合格人员使用原装备件进行维护和修理工作。如果需要关于技术维修的建议或者需要备件，请与制造商或最近的授权经销商联系。
- 务须确保机器断开与能源的连接，以免意外运行。
- 如果工具每天都使用，请每 3 个月拆下并检查工具一次。更换损坏或磨损的部件。
- 任何时候都不要让制动液、汽油、石油基产品、渗透油等与塑料部件接触。化学品可能会损坏、削弱或毁坏塑料部件，这可能会导致严重的人身伤害。
- 清洁塑料部件时请避免使用溶剂。大多数塑料容易受到各种商业溶剂的损害，并可能因其使用而受损。使用干净的布去除污垢、灰尘、油、油脂等。

## 处置

- 必须根据相应国家/地区的法规处置本设备。
- 所有受损、严重磨损或工作异常的器件均不得继续使用。
- 仅可由技术维护人员进行维修。

## 有关螺丝刀和扳手的其他安全规则

### 缠绕危险

- 远离旋转驱动装置。操作工具或配件时不得穿着宽松的衣服、戴手套、佩戴首饰、项链，并应整理好头发，否则可能发生窒息、撕脱头皮和/或划伤。
- 不得戴宽松的手套、半指手套或手指部分磨损的手套。手套可能会被驱动装置缠住，导致手指被切断或断裂。
- 驱动装置套筒和驱动器延长件能够很容易地切断橡胶手套或金属强化手套。
- 不得握住驱动装置、套筒或驱动器延长件。

### 操作危险

- 操作人员和维护人员必须有足够的体力掌握体大沉重的动力工具。
- 正确握住工具：准备好应对可能出现的正常或突然移动。双手都要做好准备。
- 调整完离合器后，立即检查能否正确操作。
- 不得在破损的状态下使用。离合器可能不工作，从而导致工具把手突然旋转。

- 在主轴旋转的相反方向始终安全地支撑住工具把手，以减少在最后拧紧和初始松开期间突然的扭矩反作用所产生的影响。
- 如有可能，应使用悬臂以抵御反作用扭矩。如不可能，对于手钻和带握把手钻工具，建议使用侧手柄；对于角度螺母扳手，建议使用反作用杆。在任何情况下，我们建议应避免采取各种方式抵御反作用扭矩以避免：手钻工具超过 4 Nm (3 lbf.ft)；带握把手钻工具超过 10 Nm (7.5 lbf.ft)；角度螺母扳手超过 60 Nm (44 lbf.ft)。

### 抛射物危险

- 进行工具的操作、修理或维护工作或者更换工具附件或靠近操作现场时，要戴上耐冲击的眼部和面部护具。
- 要确认该区域的所有其他人都已戴上耐冲击的眼部和面部护具。即使较小的抛射物也可能对眼睛造成伤害并导致失明。
- 配件需要特定的扭矩，因此必须使用扭矩计进行检查。所谓的“棘爪”转矩扳手无法检查是否存在扭矩过大的危险情况。紧固件的过度扭转或扭转不足可能会导致其断裂、松动和分离，从而对人体造成严重的伤害。弹射出的配件可能相当于射出的子弹。
- 不得使用手动扳手。只能使用完好的电动或机动扳手。
- 此工具及其附件不得以任何形式进行改造。

### 重复性动作的危害

- 使用电动工具执行工作相关操作时，操作人员的双手、手臂、肩膀、脖子或身体其他部位可能会感到不适。
- 采用舒适的姿势，同时又能保持站稳，避免采用别扭或容易导致身体失去平衡的姿势。在进行长时间任务时，改变姿势有助于避免出现不适或疲劳。
- 不要忽视持续或断断续续的不适、疼痛、搏动、酸痛、麻感、麻木、灼烧感或僵硬等症状。如有此类症状，请停止使用工具，告知雇主并咨询医师。

### 工作场所的危险







- 滑倒/绊倒/跌倒是造成严重伤害或死亡的一个主要原因。杂乱的区域和工作台会导致受伤。
- 不要在狭小空间中使用。不要把手放在工具和工件之间，特别是拧下螺丝时，以避免手被夹伤。
- 高噪音级别可能造成永久性听力丧失。使用您的用人单位或职业健康和法规推荐的听力保护用具。
- 确保工件牢固固定。
- 重复性动作、别扭的姿态和受到振动可能对双手和手臂造成伤害。如果发现手脚麻木、刺痛、疼痛或皮肤发白，应停止使用本工具并即刻就医。
- 在不熟悉的环境中，请谨慎操作。要清楚您的作业活动可能导致的潜在危险。此工具并未与电源隔离。

## 标志和贴纸

产品配备的标贴含有个人使用安全和产品维护方面的重要信息。标贴应始终易于阅读。可以使用备件列表订购新标贴。



## 符号

	在机器上开始任何作业之前，请取下电池组。
	启动机器之前请仔细阅读说明。
	请勿将电动工具与生活垃圾一起处置。达到使用寿命的电动工具和电子设备必须分开收集并送交环保回收机构。向您当地的主管部门或零售商咨询回收建议和回收点。
	使用机器时务必佩戴护目镜。
$n_0$	空载速度。
V	电压
$\text{min}^{-1}$	每分钟
	直流电
	小心！警告！危险！

## 有用的信息

## 原产地

People's Republic of China

## 网站

有关我们的产品、配件、备件和已发布事项的信息，请访问 Rodcraft 网站。

请访问：[www.rodcraft.com](http://www.rodcraft.com)。

## 安全数据表

安全数据表描述 Rodcraft 销售的化学产品。

有关更多信息，请访问 Rodcraft 网站 [qr.cp.com/sds](http://qr.cp.com/sds)。

## 版权所有

© 版权所有 2023, Desoutter GmbH, Edmund-Seng-Str. 3-5, 63477 Maintal, Germany

保留所有权限。禁止对此内容或其部分内容进行任何未经授权的使用或复制。本规定专门适用于商标、型号名称、部件编号和图纸。请仅使用经授权的部件。保修或产品责任不包括任何由于使用未经授权的部件而造成的损坏或故障。

## 技術データ

## 製品の説明

Schema 2 を参照してください。

- 1 ソフトハンドル
- 2 速度調整ボタン
- 3 バッテリーパック
- 4 バッテリーパックのボタン
- 5 ワークライト

- 6 速度調整インジケータランプ
- 7 スイッチトリガー
- 8 リバースボタン
- 9 角ドライブ
- 10 アルミニウムカバー

## 宣言

## EU 適合宣言

弊社 Desoutter GmbH, Edmund-Seng-Str. 3-5, 63477 Maintal, Germany は、弊社製品(名称、型式、およびシリアル番号に関してはフロントページ参照)が次の指令に準拠していることを、当社単独責任の下で宣言します：

2006/42/EC; 2011/65/EU; 2014/30/EU

適用する整合規格：

EN 62841-1:2015/A11:2022; EN 62841-2-2:2014; EN IEC 55014-1:2021; EN IEC 55014-2:2021; EN 62233:2008

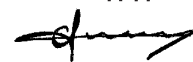
当局は、以下から関連する技術情報を要求できます。

Pascal Roussy, R&D Manager, Ets Georges Renault, 38 rue Bobby Sands, BP10273 44818 Saint Herblain, France

Saint-Herblain, 2023/08/28

Pascal ROUSSY

署名



## 騒音と振動に関する宣言

説明	RC9067	RC9077	RC9087
音圧 (K=3) (dB (A))	92.3	88.4	88.4
音響出力 (K=3) (dB (A))	100.3	96.4	96.4
振動 (K=1.5) ( $\text{m/s}^2$ )	5.45	8.15	8.15

音圧、音響出力、振動の値は、EN 62841-2-2:2014 + AC: 2015 に準拠しています。

これらの宣言値は、規定の基準に従って行われた実験室環境でのテストにより得られたもので、同じ基準に従ってテストされた他のツールの宣言値との比較に適します。放出振動レベルは、曝露の先行評価に使用できません。これらの宣言値は、リスク評価における使用には適しておらず、個々の作業現場における測定値が宣言値を上回る場合もあり得ます。実際の暴露値と個々の使用者が被る被害は様々であり、使用者の作業方法、作業対象物、作業環境、および使用者の暴露時間と健康状態に依存します。

当社、Desoutter GmbH が制御できない作業状況における個別のリスク評価において、作業場所で実際の暴露値を考慮した値の代わりに宣言値を使用したことにより生じた結果について、いかなる責任も負わないものとします。

本ツールの利用が適切に管理されていない場合、手腕振動障害を引き起こすことがあります。手腕振動を管理するためのEUのガイドは、<http://www.pneurop.eu/index.php> にアクセスし、「ツール」、次に「法制」を選択すれば見ることができます。

振動暴露によると思われる初期症状を発見するために、定期的な健康診断の実施が望まれます。これにより、将来の機能障害を防ぐための管理手法を見直すことが可能となります。

- ① 本装置を固定して使用する場合、放出騒音は機械組立員への参考として表示してあります。完成機械用の放出騒音および放出振動のデータは機械の取扱説明書に記載されています。

## 地域の要件

### ⚠ 警告

本製品によって、カリフォルニア州において癌や出生異常、その他生殖能への悪影響を引き起こすことが知られている鉛などの化学物質に晒されることがあります。詳細情報については<https://www.p65warnings.ca.gov/> をご覧ください。

<https://www.p65warnings.ca.gov/>

## REACH第33条に関する情報

化学物質の登録、評価、認可および制限に関する欧州 (EU) 規制第1907/2006号 (REACH) は、とりわけサプライチェーンにおけるコミュニケーションに関する要件を定義しています。情報要件は、いわゆる「高懸念物質 (SVHC)」(「候補リスト」) を含む製品にも適用されます。2018年6月27日に、鉛金属 (CAS番号 7439-92-1) が候補リストに追加されました。

本書は、製品の特定の電気部品が鉛金属を含む可能性があることを、上記に従ってお知らせすることを目的としています。これは現行の化学物質規制法に準拠しており、RoHS指令 (2011/65/EU) の合法的免除に基づいています。通常の使用中に鉛金属が製品から漏れたり、変化することはありません。また、製品全体の中の鉛金属の濃度は、該当する限界値をはるかに下回ります。製品の寿命終了時における鉛の処理に関する地域の要件をご考慮ください。

## 安全

捨てないでください - ユーザに渡してください

### ⚠ 警告 このパワーツールに付属するすべての安全警告、指示、図、仕様をお読みください。

以下に列記したすべての指示に従わない場合、感電、火災および/あるいは重傷に至る危険性があります。

今後の参考のために、すべての警告と注意事項を保管しておいてください。

### ⚠ 警告 設置、運転、およびメンテナンスに関連する、地域で制定された安全基準は常に順守されなければなりません。

## 使用に関するステートメント

- ・ 業務用専用です。

- ・ 本製品とその付属品は絶対に改造しないでください。
- ・ 損傷している場合は本製品を使用しないでください。
- ・ 本製品のツールデータ、危険性の警告サインの読み取りができなくなったり、外れている場合、即座に交換してください。
- ・ 本製品は、工業的環境において有資格の担当者のみが設置、操作、修理するようにしてください。

## 用途

本製品は、本マニュアルの注意事項と警告を読んで理解しており、自らの行為に対する責任を負うことのできる成人のみを使用対象としています。

- ・ 本製品は、木製、金属製、またはプラスチック製のネジ付きファスナの取り付けと取り外しのために設計されています。
- ・ 上記以外の目的で製品を使用しないでください。
- ・ 屋内使用のみ。
- ・ その他の用途での使用は許可されていません。

以下のバッテリーパックと充電器のみを使用してください。

RC20BA20 : 8951000467

RC20BA40 : 8951000468

RC20BA60 : 8951000469

バッテリーパックの充電には、必ず Rodcraft バッテリー充電器のみを使用してください。

RC20CHEU : 8951000470

RC20CHUK : 8951000471

詳細な手順については、バッテリーパック充電器の安全上の注意事項 (印刷物番号 8956002313) を参照してください。

## パワーツールの一般的な安全警告

### ⚠ 警告 本製品に付属するすべての安全警告、指示、図、仕様をお読みください。

以下に列記したすべての指示に従わない場合、感電、火災、物的損害および/あるいは重傷に至る危険性があります。

今後の参考のために、すべての警告と注意事項を保管しておいてください。

警告における用語「パワーツール」は、主電源動作 (コード付き) パワーツールやバッテリー動作 (コードレス) パワーツールを指します。

### 作業エリアの安全

- ・ 作業エリアは清浄で、照明が十分な状態を維持してください。散らかっていたり、照明が十分でないと、事故を招くことがあります。
- ・ 可燃性の液体、ガスまたは粉塵が存在するような爆発性の雰囲気ではパワーツールを使用しないでください。パワーツールが火花を発生し、粉塵や噴煙に引火するおそれがあります。



- ・ パワーツールの使用中は、子どもや第三者を近づけないでください。気を取られると、操作を誤る可能性があります。

#### 電気的安全

- ・ 接地された面 (パイプ、ラジエータ、レンジ、冷蔵庫など) に身体が触れないようにしてください。使用者の身体が接地されると、感電の危険性が高まります。
- ・ パワーツールを雨や湿った条件下にさらさないでください。パワーツールに水が入ると、感電の危険性が高まります。

#### 作業者の安全

- ・ パワーツールで作業するときは、警戒を怠らず、どんな作業を行っているかを確認し、常識を働かせてください。疲れているときや、薬物、アルコール、またはその他の薬剤の影響下にあるときは、パワーツールを使用しないでください。パワーツールの操作中に注意を怠ると、重大な人身事故につながる可能性があります。
- ・ 作業者用保護装備を使用してください。必ず眼の保護装備を着用してください。防塵マスク、滑り止め加工された安全靴、ヘルメット、防音用耳栓などの保護装備を適切な条件下で使用することで、作業者のケガの危険性を低下させることができます。
- ・ 予期しない始動が起こらないようにしてください。電源やバッテリーパックを接続する前、またはツールを持ち上げたり、運搬したりする前に、スイッチがオフの位置にあることを確認してください。指をスイッチの上に置いた状態でパワーツールを運搬したり、スイッチがオンになっているパワーツールに電圧を印加したりすると、事故を引き起こすことがあります。
- ・ パワーツールの電源を入れる前に、調整キーやレンチを外してください。パワーツールの回転部にレンチやキーを付けたままにしておく、ケガの原因になることがあります。
- ・ 前のめりになり過ぎないようにしてください。常に適切な足場とバランスを維持してください。これにより、予期しない状況下でのパワーツールの制御が容易になります。
- ・ 適切な服装をしてください。ゆったりした服を着たり、装飾品を身に付けたりしないでください。髪の毛、および衣服が可動部に近づかないようにしてください。ゆったりした衣服、装飾品、長い髪は、可動部に絡まる可能性があります。
- ・ 集塵機等に接続する装置が提供されている場合、これらが接続され、適切に使用されていることを確認してください。集塵機を使用することで、粉塵に関連する危険性を低下させることができます。
- ・ ツールを頻繁に使用することで得られる慣れによって、自己満足に陥り、ツールの安全性の原則を無視することがないようにしてください。不注意な行動により、数分の一秒で重傷を引き起こす可能性があります。
- ・ 隠れている配線にファスナが接触するおそれのある場所でパワーツールを使用する場合には、ツールの絶縁グリップを握って保持してください。「電圧の掛かっている」電線を含むファスナは、パワーツールの露出金属部品に「電圧を掛け」、作業者を感電させるおそれがあります。

#### パワーツールの使用と注意

- ・ パワーツールを無理に使用しないでください。用途に適したパワーツールを使用してください。適切なパワーツールを使用することで、設計されたとおりに、より優れた性能で、より安全に作業できます。
- ・ スイッチをオン/オフできない場合、パワーツールを使用しないでください。スイッチで制御できないパワーツールは危険であり、修理する必要があります。
- ・ パワーツールに何らかの調整、付属品の変更を行う前、または保管する前に、取り外し可能な場合、電源からプラグを外すか、パワーツールからバッテリーパックを外します。このような安全予防措置を講じることで、予期しないパワーツールの始動の危険性を低下させることができます。
- ・ 使用されていないパワーツールは、子どもの手の届かない所に保管し、パワーツールやこれらの指示に精通していない人がパワーツールを使用することがないようにしてください。訓練を受けていない作業者がパワーツールを使用するのは危険です。
- ・ パワーツールと付属品の保守。可動部がずれていたり、動かなくなったりしていないか、部品が損傷していないか、パワーツールの動作に影響する可能性があるその他の状態になっていないか確認してください。損傷している場合は、使用前にパワーツールを修理してください。事故の多くは、パワーツールの保守が十分でないことで引き起こされています。
- ・ カuttingツールは目立てした状態で、清潔にしておいてください。刃先が目立てされた、適切に保守されたカuttingツールを使用すると、引っかかる可能性が低くなり、制御が容易になります。
- ・ パワーツール、付属品、工具ビットなどは、作業条件と実行する作業内容を考慮して、これらの指示に従って使用してください。これらの意図と異なる方法でパワーツールを作動させて使用すると、危険な状況を招く可能性があります。
- ・ ハンドルと保持面を、乾燥して清潔でオイルやグリースのない状態に保ちます。ハンドルや保持面が滑りやすくなっていると、予期しない状況でツールの安全な取り扱いや管理ができません。

#### バッテリーツールの使用と注意

- ・ 充電には、製造会社が指定する充電器のみを使用してください。あるタイプのバッテリーパックには適切な充電器であっても、他のバッテリーパックに使用すると火事発生の危険が生じることがあります。
- ・ パワーツールは、専用に設計されたバッテリーパックと共に使用してください。他のバッテリーパックを使用すると、ケガおよび火災の危険が生じます。
- ・ バッテリーパックを使用しない場合には、両端子を接続する可能性のある紙クリップ、貨幣、キー、釘、ネジ、およびその他の小さな金属物質を含む他の金属物質から離しておいてください。バッテリー端子をショートさせると、燃焼または火災が発生することがあります。
- ・ 間違った使い方をすると、バッテリーから液体が吹き出す場合がありますが、この液体には触れないでください。誤って触れた場合は、水ですすいでください。

い。液体が目に入った場合には、さらに医師の診察を受けてください。バッテリーから吹き出した液体で炎症や火傷を生じることがあります。

- 破損または改造されたバッテリーパックやツールは使用しないでください。破損または改造されたバッテリーは、火災、爆発やけがのリスクをもたらす予期しない動作をすることがあります。
- 火災や高温に電池パックやツールをさらさないでください。火災や130°C以上の温度にさらされると爆発の恐れがあります。
- すべての充電に関する指示に従い、指示で指定された温度範囲外でバッテリーパックやツールを充電しないでください。不適切な、または指定された範囲外の温度で充電すると、バッテリーが損傷し、火災のリスクが高まる可能性があります。

### サービス

- パワーツールは、有資格の修理担当者にサービスを依頼し、同一の交換部品のみを使用して下さい。これにより、電動工具の安全性が維持されます。
- 損傷したバッテリーパックは決して整備しないでください。バッテリーパックの整備は、メーカーまたは認定サービスプロバイダが必ず行うようにしてください。

## 製品の詳細説明書

### ツールの操作

1. 適したソケットでツールを取り付けます。
2. 速度調整ボタン(2)を使用して正しいモードを設定します。
3. リバースボタン(8)を使用して正しい方向を選択します。
4. このドキュメントに記載されている安全に関する注意事項に従って、ツールを配置してください。
5. スイッチトリガー(7)を押し続けます。
6. 操作が終了するまで、トリガーを(1および7)を押し続けます。

### ⚠ 警告 怪我をするリスク

反力は締め付けトルクに比例して増加するので、ツールの予期しない動作に起因して作業員が怪我をするリスクがあります。

- ▶ ツールが完全に作動し、システムが正しくプログラムされていることを確認してください。

### バッテリー

長時間使用されていなかったバッテリーパックは、使用前に再充電する必要があります。温度が50°C (122°F) を超えると、バッテリーパックの性能が低下します。熱や日光に長時間さらさないでください(過熱のリスクがあるため)。充電器とバッテリーパックの接触部は清潔にしてください。最適な寿命を維持するため、使用後はバッテリーパックを完全に充電してください。バッテリー寿命をできるだけ長くするため、完全に充電した後、バッテリーパックを充電器から取り外してください。

バッテリーパックには、過負荷から保護し、バッテリーの長寿命を確保する過負荷保護が装備されています。極端な負荷がかかると、バッテリーの電子部品によって製品が自動的にオフになります。再度始動するには、製品の電源を一旦オフにして、再度オンにします。製品が再度始動しない場合は、バッテリーパックが完全に放電している可能性があります。この場合は、バッテリーチャージャーで充電する必要があります。

### メンテナンスに関する注意事項

- すべてのコンポーネントの安全な取り扱いおよび廃棄については、現地国の環境規制に従ってください。
- メンテナンスおよび修理作業は、必ず元のスペアパーツを使用して、資格を持った担当者が行う必要があります。技術的サービスに関するアドバイスが必要な場合やスペアパーツが必要な場合は、メーカーまたはお近くの販売店までお問い合わせください。
- 偶発的な作動を回避するために、マシンが電源から切断されていることを必ず確認してください。
- ツールを毎日使用している場合は、3カ月毎にツールを分解して点検してください。破損または磨耗した部品は交換してください。
- ブレーキ液、ガソリン、石油ベース製品、浸透油などが、常にプラスチック部品に付着しないようにしてください。化学物質はプラスチックを破損、磨耗、損傷することがあり、重大な人身事故につながる可能性があります。
- プラスチック部品の清掃には溶剤を使用しないでください。ほとんどのプラスチックは、多様な種類の化学溶剤によって損傷する可能性が高く、溶剤を使用することで損傷する可能性があります。きれいな布で汚れ、埃、油、グリース等を除去してください。

### 廃棄

- この機器の処分は、それぞれの国の法律に従わなければなりません。
- 損傷、ひどく磨耗、適切に機能していない場合はいずれも使用を中止する必要があります。
- 必ず技術メンテナンススタッフが修理を行ってください。

### ドライバーとレンチのための追加安全基準

#### 絡まりの危険性

- 回転している駆動部から離れてください。ルーズな衣服、手袋、装身具、ネックレス、頭髮などを工作機械および付属機器に近づけないようにしないと、機械詰まり、頭皮の引き込み、裂傷などを引き起こす原因になります。
- 寸法の合わない手袋や指先が摩耗した手袋、先をカットした手袋を使わないでください。手袋は回転駆動部と絡まり、指に重傷を負わせたり骨折することがあります。
- 回転駆動部ソケットや駆動延長部は、ゴムでコーティングした手袋や金属強化した手袋と絡みやすくなります。

- ・ 駆動部、ソケット、駆動延長部を決してつかまないでください。

#### 操作に伴う危険性

- ・ 作業者と保守要員には、このツールの大きさ、重量および動力の取り扱いが可能な身体能力が必要です。
- ・ ツールを正しく保持してください。通常の、あるいは急な動きに対抗するよう備えます。両手とも使えるようにしておいてください。
- ・ クラッチの調整後、直ちに正確に作動するか確認してください。
- ・ 磨耗した状態で使用しないでください。クラッチが作動せず、ツールのハンドルが突然回転することがあります。
- ・ 最後の締め付け、または初期緩めの時期に起こる突如のトルク反動を軽減するために、ツールのハンドルを常に軸の回転と反対方向にしっかりと固定してください。
- ・ 可能であれば、反動トルクを吸収するサスペンションアームを使用してください。これが可能でなければ、まっすぐなケースのツールやピストルグリップツールの場合、サイドハンドルを推奨します。角度ナットランナの場合、反力バーを推奨します。いかなる場合でも、まっすぐなケースのツールでは 4 Nm (3 lbf.ft) より大きなリアクショントルク、ピストルグリップツールでは 10 Nm (7.5 lbf.ft) より大きなリアクショントルク、角度ナットランナでは 60 Nm (44 lbf.ft) より大きなリアクショントルクを吸収する手段を使用することを推奨します。

#### 飛散物の危険性

- ・ ツールの操作、修理、保守の際、あるいはツールのアクセサリを交換する際、または、その近くにいる場合、必ず目と顔を守る耐衝撃性防具を着用してください。
- ・ 同じ場所にいるほかの全員も、耐衝撃性のある目と顔の保護装備を装着してください。小さな飛散物であっても目を傷つけて失明の原因となります。
- ・ 特定のトルクを必要とする組み立てでは、トルクメーターで必ずトルクを確認してください。いわゆる「クリック」トルクレンチでは、潜在的に危険なトルク超過状態を確認することができません。締め具のトルクが強すぎたり、弱すぎたりすると、壊れたり、緩んで分離したりして、重大なケガの原因になりかねません。アセンブリが外れると、飛散物になることがあります。
- ・ ハンドソケットを使わないでください。良好な状態の電源ソケットがインパクトソケットのみ使用してください。
- ・ 本ツールとそのアクセサリは絶対に改造しないでください。

#### 繰り返し動作の危険性

- ・ パワーツールを使って作業に関連する動作を行う際に、手や腕、肩、首、その他の身体の部位に作業員が不快感をもつことがあります。
- ・ 足元をしっかりと保ち、無理な姿勢やバランスを崩した姿勢を避けながら操作しやすい姿勢を取ってください。長時間の作業中に姿勢を変えることで、不快感や疲労を避けることができます。

- ・ 持続的な不快感や繰り返しのある不快感、痛み、拍動、疼き、刺痛、麻痺、焼けるような感覚、固さといった兆候を無視しないでください。ツールの使用を中止し、雇用主に伝え、医師の診察を受けてください。

#### 作業場の危険性

- ・ 滑ること、つまづくこと、転倒が重大なケガや死亡事故の主な原因です。エリアやベンチが散らかっていると、事故を招くことがあります。
- ・ 密閉された場所では使用しないでください。特にネジを取り外しているときに、ツールと作業対象物の間に手を挟まれないようご注意ください。
- ・ 高レベルの騒音により、永久に聴力が失われることがあります。ご自身の雇用者、または職業上の健康と安全のための規定で推奨される防音用耳栓を使用してください。
- ・ ワークピースがしっかりと固定されているか確認してください。
- ・ 繰り返し作業、無理な姿勢、および振動にさらされると、手や腕に害となることがあります。麻痺やチクチクした痛みがある場合、または肌が蒼白化した場合、ツールの使用を止めて医師の診察を受けてください。
- ・ 慣れない環境で作業する場合は、細心の注意を払ってください。作業によって生じる可能性のある危険に注意を払ってください。このツールは、電源と接触する場合に対して絶縁されていません。

#### サインとステッカー

本製品には、個人の安全および製品のメンテナンスに関する重要な情報を記載した表示とステッカーがあります。表示とステッカーは、常に読みやすいものでなければなりません。スペアパーツリストで、新しい表示とステッカーをご注文いただけます。



#### 記号



機械での作業を始める前にバッテリーパックを取り外してください。



機械の使用を開始する前に指示をよく読んでください。



電動ツールは生活廃棄物として処分しないでください。寿命に達した電動ツールと電子装置は個別に収集し、環境に適したリサイクル施設に廃棄してください。リサイクル方法や収集場所については、最寄の地方自治体または小売店に問い合わせてください。



機械の使用時には必ず安全めがねを装着してください。

$n_0$

無負荷速度。

V

ボルト

$\text{min}^{-1}$

毎分



直流



注意！警告！危険！

## 有用な情報

### 生産国

People's Republic of China

### ウェブサイト

当社の製品、付属品、スペアパーツおよび公表事項に関する情報は、RodcraftのWebサイトにてご覧いただけます。

次をご覧ください：[www.rodcraft.com](http://www.rodcraft.com).

### 安全データシート

安全データシートには、Rodcraftが販売する化学製品が記載されています。

詳細情報については、Rodcraftウェブサイト ([qr.cp.com/sds](http://qr.cp.com/sds)) を参照してください。

### 著作権

© 著作権 2023, Desoutter GmbH, Edmund-Seng-Str. 3-5, 63477 Maintal, Germany

無断複写・複製・転載を禁ず。本書の内容の一部または全部を無断転載あるいは不正使用することは禁止されています。上記禁止行為は、特に商標、モデルの文書化、部品番号および図面に適用されます。認可済み部品のみの使用してください。未認可の部品の使用によって引き起こされる一切の損傷または誤動作は、保証責任または製造物責任の対象とはなりません。

## 기술 자료

### 제품 설명

Schema 2 참조

- |    |           |
|----|-----------|
| 1  | 소프트 핸들    |
| 2  | 속도 조정 버튼  |
| 3  | 배터리 팩     |
| 4  | 배터리 팩 버튼  |
| 5  | 작업등       |
| 6  | 속도 조정 표시등 |
| 7  | 스위치 트리거   |
| 8  | 역방향 버튼    |
| 9  | 스퀘어 드라이브  |
| 10 | 알루미늄 커버   |

## 선언

### EU 적합성 선언

Desoutter GmbH, Edmund-Seng-Str. 3-5, 63477 Maintal, Germany은(는) 제품(이름, 종류 및 일련번호 포함, 제1면 참조)이 다음 지침을 준수하고 있음을 당사의 전적인 책임 하에 선언합니다.



2006/42/EC; 2011/65/EU; 2014/30/EU

합의 표준 적용:

EN 62841-1:2015/A11:2022; EN 62841-2-2:2014; EN IEC 55014-1:2021; EN IEC 55014-2:2021; EN 62233:2008

관련 기술 정보는 관계 당국에서만 요청할 수 있음:

Pascal Roussy, R&D Manager, Ets Georges Renault, 38 rue Bobby Sands, BP10273 44818 Saint Herblain, France

Saint-Herblain, 2023/08/28

Pascal ROUSSY

서명

### 소음 및 진동 표시 선언

설명	RC9067	RC9077	RC9087
음압 (K=3) (dB(A))	92.3	88.4	88.4
음력 (K=3) (dB(A))	100.3	96.4	96.4
진동 (K=1.5) (m/s <sup>2</sup> )	5.45	8.15	8.15

음압, 음력 및 진동 값은 EN 62841-2-2:2014 + AC:2015를 준수합니다.

이러한 표시 값은 언급된 표준에 따라 실험실 유형 테스트에 의해 획득되었으며 동일한 표준에 따라 테스트한 다른 공구의 표시 값과 비교하기에 적합합니다. 진동 방출 수준은 노출에 대한 사전 평가를 위해 사용될 수 있습니다. 이러한 표시 값은 위험 평가에 사용하기에 적합하지 않으며 개별 작업장에서 측정된 값이 더 높을 수 있습니다. 실제 노출 값과 개별 사용자가 경험한 유해 위험 수준은 고유하며 사용자의 작업 방식, 작업 대상물, 작업대 설계뿐만 아니라 노출 시간 및 사용자의 신체적 조건에 따라 다릅니다.

Desoutter GmbH는 당사가 통제할 권한이 없는 작업장 상황에서 발생하는 개별 위험 평가로 실제 노출을 반영하는 값 대신 표시 값을 사용한 결과에 대해 책임을 지지 않습니다.

본 공구를 적절히 관리하면서 사용하지 않으면 손-팔 진동 증후군이 유발될 수 있습니다. 손-팔 진동 증후군 관리에 대한 EU 참고 자료는 <http://www.pneurop.eu/index.php>에 접속한 다음 '공구', '법규' 순으로 선택하면 확인할 수 있습니다.

당사는 소음 또는 진동 노출과의 관련 가능성이 있는 증상을 조기에 감지하는 건강 감시 프로그램을 권장하며, 이를 통해 관리 절차를 수정하여 향후 발생할 수 있는 장애를 사전에 차단할 수 있습니다.

- ① 이 장비는 고정 설비에 사용하도록 되어 있습니다. 소음 방출은 기계 설치업자의 참고 자료로 활용됩니다. 완성된 기계의 소음 및 진동 방출 데이터는 기계의 사용 설명서에 수록되어 있습니다.

**지역 요구 사항**

**⚠ 경고**

이 제품을 사용하면 캘리포니아 주에서 보고된 암 및 선천적 장애 또는 기타 출산 장애를 유발하는 납을 포함한 화학 물질에 노출될 수 있습니다. 자세한 정보는 <https://www.p65warnings.ca.gov/> 웹 사이트를 참조하십시오.

<https://www.p65warnings.ca.gov/>

**REACH 33조에 관한 정보**

등록, 평가, 허가 및 화학 물질 규제(REACH: Registration, Evaluation, Authorization and restriction of Chemicals)에 관한 유럽 규정 (EU) No. 1907/2006은 공급망에서 커뮤니케이션과 관련된 요구 사항을 정의합니다. 정보 요구 사항은 소위 매우 우려가 되는 물질(이하 “후보목록”)이 포함된 제품에도 적용됩니다. 2018년 6월 27일 납 금속(CAS no 7439-92-1)이 후보 목록에 추가되었습니다.

위의 내용에 의거하여 제품의 특정 전기 부품에 납 금속이 포함될 수 있음을 알려드립니다. 이는 현재의 물질 제한 법안에 적법하며 RoHS 지침(2011 / 65 / EU)의 합법적 면제에 근거합니다. 납 금속은 정상적인 사용 중에는 제품에서 누출되거나 변이가 되지 않으며, 완제품에서 납 금속의 농도는 적용 기준 한계보다 훨씬 낮습니다. 제품 폐기시 납의 폐기에 대한 현지 요구 사항을 고려하십시오.

**안전**

버리지 마십시오 – 사용자에게 주십시오

**⚠ 경고 이 전동 공구와 함께 제공되는 모든 안전 경고, 지침, 그림 및 사양을 읽으십시오.**

아래 나열된 지침을 모두 따르지 않으면 감전, 화재 및/또는 심각한 상해가 발생할 수 있습니다.

나중에 참조할 수 있도록 모든 경고와 지침을 보관하십시오.

**⚠ 경고 설치, 운영 및 유지보수에 대해 지역별로 지정된 안전 규칙은 언제나 지켜야 합니다.**

**용도 선언**

- 전문 용도로만 사용하십시오.
- 이 제품과 그 부속품을 변형시켜서는 안 됩니다.
- 이 제품이 손상된 경우 사용하지 마십시오.
- 제품 데이터 또는 위험 경고 징후가 보이거나 확실한 경우, 기다리지 말고 즉시 교체하십시오.
- 이 제품은 산업용 조립 환경에서 자격을 갖춘 담당자만 설치, 작동 및 수리할 수 있습니다.

**용도**

이 제품은 이 설명서의 지침과 경고를 읽고 이해하고 자신의 행동에 대하여 책임을 질 수 있는 성인만 사용하도록 설계되었습니다.

- 이 제품은 목재, 금속 또는 플라스틱에서 나사산이 있는 패스너의 설치 및 제거 용도로 제작되었습니다.
- 위에 언급되지 않은 다른 목적으로 본 제품을 사용하지 마십시오.

- 실내에서만 사용해야 합니다.
- 다른 용도는 허용되지 않습니다.

다음 배터리 팩 및 충전기를 사용하십시오.

RC20BA20: 8951000467

RC20BA40: 8951000468

RC20BA60: 8951000469

배터리 팩은 Rodcraft 배터리 충전기로만 충전해야 합니다.

RC20CHEU: 8951000470

RC20CHUK: 8951000471

자세한 지침은 배터리 팩 충전기의 안전 정보(인쇄물 번호 8956002313)를 참조하십시오.

**일반 전동 공구 안전 경고**

**⚠ 경고 이 제품과 함께 제공되는 모든 안전 경고, 지침, 그림 및 사양을 읽으십시오.**

아래 나열된 지침을 모두 따르지 않으면 감전, 화재, 재산의 손해 및/또는 심각한 부상이 발생할 수 있습니다.

나중에 참조할 수 있도록 모든 경고와 지침을 보관하십시오.

경고에 있는 용어 "전동 공구"는 주전원으로 작동하는(유선) 전동 공구 또는 배터리로 작동하는(무선) 전동 공구를 의미합니다.

**작업장 안전**

- 작업장을 깨끗하고 밝게 유지하십시오. 어수선하거나 어두운 작업장은 사고가 발생할 위험이 있습니다.
- 가연성 액체, 기체 또는 분진이 있는 장소와 같은 폭발 위험 구역에서 전동 공구를 작동하지 마십시오. 전동 공구가 스파크를 일으켜 분진 또는 연무에 불이 붙을 수 있습니다.
- 전동 공구를 작동할 때는 어린이와 외부인이 가까이 오지 못하도록 하십시오. 주의력이 분산되어 공구를 제어하지 못하게 될 수 있습니다.

**전기 안전**

- 파이프, 라디에이터, 레인지 및 냉각 장치와 같은 접지면에 신체가 닿지 않도록 주의하십시오. 신체가 접지될 경우 감전 위험이 증가합니다.
- 전동 공구가 빗물 또는 습한 환경에 노출되지 않도록 하십시오. 전동 공구가 젖을 경우 감전 위험이 증가합니다.

**개인 안전**

- 전동 공구를 작동할 때는 경계를 늦추지 말고 진행 중인 작업에 집중하며 상식을 따르십시오. 피곤하거나 약물, 알코올 또는 의약품을 섭취한 상태에서 전동 공구를 사용하지 마십시오. 전동 공구를 작동하는 동안 순간적으로 방심할 경우 심각한 증상을 입을 수 있습니다.
- 개인 보호 장비를 사용하십시오. 항상 보호 안경을 착용하십시오. 방진 마스크, 미끄럼 방지 안전화, 안전모 또는 청력 보호 도구와 같은 보호 장비를 여건에 맞게 사용할 경우 부상 위험을 줄일 수 있습니다.

- 실수로 공구를 가동하지 않도록 주의하십시오. 공구를 전원 및/또는 배터리 팩에 연결하거나 들어올리거나 운반하기 전에 스위치가 꺼짐 위치에 있는지 확인하십시오. 스위치에 손가락을 얹은 채로 전동 공구를 운반하거나 스위치가 켜져 있는 상태에서 동력을 공급하면 사고가 발생할 수 있습니다.
- 파워 공구를 켜기 전에 조정용 키 또는 렌치를 제거하십시오. 파워 공구의 회전 부품에 렌치나 키가 부착되어 있으면 부상을 입을 수 있습니다.
- 몸을 너무 뻗지 마십시오. 항상 양발을 단단히 디디고 몸의 균형을 유지하십시오. 그러면 예기치 않은 상황에서 전동 공구를 더 잘 제어할 수 있습니다.
- 적절한 복장을 착용하십시오. 느슨한 의복이나 보석류는 착용하지 마십시오. 머리카락, 의복이 가동 부품에 가까이 닿지 않도록 하십시오. 느슨한 의복, 보석류 또는 긴 머리카락이 가동 부품에 걸릴 수 있습니다.
- 분진 추출 및 집진 설비 연결용 장치가 제공될 경우 올바르게 연결되고 사용되는지 확인하십시오. 집진 장치를 사용하면 분진 관련 위험을 줄일 수 있습니다.
- 공구를 자주 사용함으로써 생긴 익숙함으로 인해 무사안일주의에 빠지고 공구 안전 수칙을 무시하지 않도록 하십시오. 부주의한 조치는 순식간에 심각한 부상을 야기할 수 있습니다.
- 패스너가 숨겨진 배선에 닿을 수 있는 곳에서 작업을 수행할 때에는 파워 공구의 절연된 손잡이 표면을 잡아야 합니다. 전기가 흐르는 전선에 패스너가 닿을 경우 전동 공구의 금속 부분이 전기에 노출될 수 있으며 작업자가 감전될 수 있습니다.

**파워 공구 사용 및 관리**

- 파워 공구를 무리하게 사용하지 마십시오. 전동 공구를 용도에 맞게 사용하십시오. 전동 공구를 올바르게 사용하면 작업 효율이 높아지고 설계상의 이점을 살려 더 안전하게 작업할 수 있습니다.
- 스위치가 켜지거나 꺼지지 않을 경우에는 전동 공구를 사용하지 마십시오. 스위치를 제어할 수 없는 전동 공구는 위험하며 반드시 수리를 해야 합니다.
- 전동 공구를 조정하거나 부속품을 교체하거나 보관하기 전에, 분리가 가능한 경우, 전원 및/또는 배터리 팩에서 플러그를 분리하십시오. 이러한 예방 안전 조치를 취할 경우 전동 공구를 실수로 가동할 위험이 줄어듭니다.
- 사용하지 않는 전동 공구는 어린이의 손이 닿지 않는 곳에 보관하고 전동 공구나 이러한 지침에 익숙하지 않는 사람이 전동 공구를 작동하지 않도록 하십시오. 숙련되지 않는 사용자가 전동 공구를 사용할 경우 위험할 수 있습니다.
- 전동 공구와 액세서리를 유지보수하십시오. 오차가 있거나 가동 부품이 움직이지 않거나 부품이 파손되었거나 전동 공구의 작동에 영향을 미칠 수 있는 조건이 있는지 확인하십시오. 손상된 경우 사용하기 전에 전동 공구를 수리하십시오. 전동 공구를 제대로 유지보수하지 않을 경우 여러 가지 사고가 발생합니다.
- 절단 공구를 날카롭고 깨끗하게 유지하십시오. 올바른 유지보수 절차를 통해 절단 공구의 칼날을 날카롭게 유지관리하면 고장날 가능성이 줄어들고 손쉽게 제어할 수 있습니다.

- 파워 공구, 부수장치 및 공구 비트는 이러한 지침에 따라, 작업 조건과 수행할 작업을 고려하여 사용하십시오. 전동 공구를 원래 용도와 다른 작업에 사용할 경우 위험한 상황이 발생할 수 있습니다.
- 핸들과 잡는 부분은 건조하고, 깨끗하며 오일과 기름이 묻지 않도록 유지하십시오. 핸들과 잡는 면이 미끄러우면 예기치 않은 상황에서 공구를 안전하게 조작하거나 제어할 수 없습니다.

**배터리 공구 사용 및 관리**

- 배터리를 충전할 때는 제조업체에서 지정한 충전기만을 사용해 주세요. 특정 배터리 팩 유형에 적합한 충전기를 다른 배터리 팩에 사용할 경우 화재가 발생할 위험이 있습니다.
- 전동 공구에는 전동 공구 전용으로 설계된 배터리 팩만 사용해 주세요. 다른 배터리 팩을 사용할 경우 부상을 입거나 화재가 발생할 위험이 있습니다.
- 배터리 팩을 사용하지 않을 때는 단자끼리 접촉할 수 있으므로 웅지 클립, 동전, 열쇠, 못, 나사 또는 기타 작은 금속과 같은 금속성 물체와 가까이 두지 마십시오. 배터리 단자가 서로 단락될 경우 화상을 입거나 화재가 발생할 수 있습니다.
- 비정상적인 환경에서 사용할 경우 배터리액이 누출될 수 있습니다. 배터리액이 몸에 닿지 않도록 주의하십시오. 실수로 몸에 닿은 경우 물로 씻어내십시오. 눈에 들어간 경우 물로 씻은 후 의사와 상담하십시오. 배터리에서 누출된 액체는 염증 또는 화상을 유발할 수 있습니다.
- 손상되거나 개조된 배터리 팩 또는 공구를 사용하지 마십시오. 손상되거나 변경된 배터리는 예측할 수 없는 동작을 드러내 화재, 폭발 또는 부상의 위험을 초래할 수 있습니다.
- 배터리 팩이나 공구를 화재 또는 고온에 노출하지 마십시오. 화재 또는 130 °C 이상의 온도에 노출되면 폭발할 수 있습니다.
- 모든 충전 지침을 따르고 설명서에 명시된 온도 범위를 벗어나 배터리 팩이나 공구를 충전하지 마십시오. 지정된 범위를 벗어난 온도 또는 부적절하게 충전하면 배터리를 손상시키거나 화재 위험을 높일 수 있습니다.

**서비스 안내**

- 자격을 갖춘 수리 담당자가 오직 동일한 교체 부품을 사용하여 수리해야 합니다. 이 지침을 지킬 경우 전동 공구의 안전을 유지할 수 있습니다.
- 손상된 배터리 팩을 절대 정비하지 마십시오. 배터리 팩의 점검은 제조업체 또는 공인 서비스 제공업체에서만 수행해야 합니다.

**제품별 설명**

**공구 사용**

1. 공구를 적합한 소켓과 결합하세요.
2. 속도 조절 버튼(2)을 사용하여 올바른 모드를 설정하세요.
3. 역방향 버튼(8)을 사용하여 올바른 방향을 선택해 주세요.
4. 이 문서에 설명된 안전 지침에 따라 공구를 배치해 주세요.

- 스위치 트리거(7)를 누르고 누른 상태를 유지해 주세요.
- 작동이 끝날 때까지 트리거(7)를 누른 상태를 유지해 주세요.

### ⚠ 경고 부상 위험

조임 토크에 비례하여 반작용력이 증가함에 따라, 공구의 예상치 않은 동작으로 인하여 작업자는 신체에 심각한 부상을 입을 위험이 있습니다.

- ▶ 공구가 완벽하게 작동하고 시스템이 올바르게 프로그래밍 되었는지 반드시 확인하십시오.

### 배터리

얼마 간 사용하지 않은 배터리 팩은 사용하기 전에 다시 충전해야 합니다.

온도가 50°C(122°F)를 넘으면 배터리 팩의 성능이 저하됩니다. 열 또는 일광에 대한 긴 노출을 피해야 합니다(과열 위험).

충전기와 배터리 팩의 접촉부는 깨끗하게 유지해야 합니다.

최적의 수명을 유지하려면 사용 후에 배터리 팩을 완충해야 합니다. 가장 긴 배터리 수명을 위해서는 완충 후에 배터리 팩을 충전기에서 분리해야 합니다.

배터리 팩에는 과부하를 방지하는 과부하 보호 장치가 있어 수명을 연장시킵니다. 극도의 스트레스 하에서 배터리 전자 장치가 제품을 자동으로 끕니다. 다시 시작하려면 제품을 껐다가 다시 켜십시오. 제품이 다시 시동되지 않으면 배터리 팩이 완전히 방전되었을 수 있습니다. 이 경우 충전기에서 충전해야 합니다.

### 유지보수 지침

- 모든 구성품의 안전한 취급 및 폐기를 위해 현지 국가 환경 규정을 준수해 주세요.
- 유지 관리 및 수리 작업은 정품 예비 부품을 사용하여 자격을 갖춘 기술자만 수행해야 합니다. 기술 서비스 또는 부품을 필요로 하면 제조사 또는 가까운 공인 대리점에 문의해 주세요.
- 실수로 작동되는 것을 방지하려면 항상 기계가 동력원으로부터 분리되었는지 확인해 주세요.
- 공구를 매일 사용하는 경우 3개월마다 공구를 분해해서 검사해 주세요. 손상되거나 마모된 부품을 교체해 주세요.
- 항상 브레이크액, 가솔린, 석유 기반 제품, 침투유 등이 플라스틱 부품과 접촉하지 않게 해 주세요. 화학 물질은 플라스틱을 손상시키거나, 약화시키거나, 파괴할 수 있으며 이는 심각한 부상을 초래할 수 있습니다.
- 플라스틱 부품을 청소할 때 용제를 사용하지 마십시오. 대부분의 플라스틱은 여러 가지 상업 용제로 손상되기 쉬우며, 이를 사용하면 손상될 수 있습니다. 깨끗한 천을 사용하여 흙, 먼지, 기름, 그리스 등을 제거해 주세요.

### 폐기

- 본 장비의 폐기는 해당 국가의 법규를 따라야 합니다.
- 완전히 손상되고, 심하게 마모되었거나 제대로 작동하지 않는 장치는 반드시 작동을 멈추어야 합니다.
- 기술 정비사만 수리해야 합니다.

### 스크류드라이버 및 렌치 추가 안전 규칙

#### 업힘에 의한 위험

- 회전하는 드라이브에 가까이 가지 마십시오. 느슨한 의복, 장갑, 보석류, 넥타이 종류 및 머리카락을 공구 및 부속품으로부터 멀리하지 않으면 질식, 두피 손상 및/또는 열상이 발생할 수 있습니다.
- 늘어진 장갑 또는 손가락 부위가 없거나 닳아 빠진 장갑을 착용하지 마십시오. 회전하는 드라이브에 장갑이 엉킬 수 있으며 이는 손가락 상해 또는 파열을 야기할 수 있습니다.
- 회전하는 드라이브 소켓과 드라이브 연장부는 고무 코팅 장갑 또는 금속 보강 장갑이 쉽게 엉킬 수 있습니다.
- 드라이브, 소켓 또는 드라이브 연장부를 절대 손으로 잡지 마십시오.

#### 작업에 따른 위험

- 작업자와 유지보수 인원은 이 공구의 부피와 중량 및 힘을 육체적으로 취급할 수 있어야 합니다.
- 공구를 올바르게 잡으십시오. 정상적이거나 갑작스러운 움직임에 대처할 준비를 하십시오. 양손을 사용하십시오.
- 클러치를 조절한 직후, 올바르게 작동하는지 점검하십시오.
- 마모된 경우 사용하지 마십시오. 클러치가 작동하지 않아 공구 핸들이 갑자기 회전할 수 있습니다.
- 마지막 조임과 처음 풀기 과정에서 갑작스런 토크의 반작용 영향을 줄이기 위해 항상 스프링 회전과 반대 방향으로 공구의 핸들을 견고하게 지지하십시오.
- 가능하면 서스펜션 암을 사용하여 반응 토크를 흡수하십시오. 서스펜션 암을 사용할 수 없는 경우, 스트레이트 케이스 및 피스톨 그립 공구에는 사이드 핸들, 앵글 너트러너에는 반응 바가 각각 권장됩니다. 어떠한 경우에도 스트레이트 케이스 공구의 경우에는 4 Nm (3 lbf.ft) 이상의 반응 토크, 피스톨 그립 공구의 경우에는 10 Nm (7.5 lbf.ft) 이상의 반응 토크, 앵글 너트러너의 경우에는 60 Nm (44 lbf.ft) 이상의 반응 토크를 각각 흡수할 수 있는 수단의 사용이 권장됩니다.

#### 투사물의 위험

- 작업을 하거나 근처에 있을 경우, 공구의 수리나 유지보수 시 혹은 공구의 부속품 교체 시에는, 항상 내충격 눈 및 안면 보호 장비를 착용하도록 합니다. 작은 투사물이라도 눈을 상하게 하거나 실명을 초래할 수 있습니다.
- 특정 토크를 필요로 하는 조립은 토크 미터를 사용하여 점검해야 합니다. 소위 “클릭” 토크 렌치는 위험할 수 있는 과다 토크 상태를 점검하지 못합니다. 패스너 토크가 과다하거나 미달되는 경우 중상을 초래할 수 있으며, 이로써 부서짐, 느슨함 또는 분리가 발생할 수 있습니다. 빠진 조립물이 튕겨져 나올 수 있습니다.
- 핸드 소켓을 사용하지 마십시오. 상태가 양호한 파워 또는 임팩트 소켓만 사용하십시오.
- 이 공구와 그 부속품을 변형시켜서는 안 됩니다.

반복적인 동작의 위험

- 파워 공구를 사용하여 작업 관련 활동을 수행할 때 작업자가 손, 팔, 어깨, 목 또는 기타 신체 부위의 불편감을 경험할 수 있습니다.
- 편안한 자세를 취하되 서 있는 자세를 안정적으로 유지하고 어색하거나 불균형한 자세를 취하지 마십시오. 장시간 작업하는 동안 자세를 바꾸면 불편감과 피로를 해소하는 데 도움이 됩니다.
- 불편감, 통증, 육신거림, 쑤심, 저림, 무감각, 화끈거림 또는 뻣뻣함이 지속되거나 재발되는 등의 증상을 무시하지 마십시오. 이러한 경우, 공구 사용을 중단하고 고용주에게 알린 다음 의사와 상담하십시오.

작업장 위험

- 미끄러짐/걸려 넘어짐/추락은 중상이나 사망의 주요 원인입니다. 작업장과 벤치가 어질러져 있을 경우 부상을 입을 수 있습니다.
- 제한된 공간에서 사용하지 마십시오. 특히 나사를 뽑을 때 공구와 작업 대상 사이에 손이 끼지 않도록 주의하십시오.
- 소음 수준이 높으면 청각이 영구적으로 손상될 수 있습니다. 귀하의 고용주나 직업 건강 및 안전 법규가 권장하는 청력 보호 도구를 사용하십시오.
- 작업물이 확실히 고정되어 있는지 확인하십시오.
- 반복적인 작업 활동, 부적절한 자세 및 진동에 대한 노출은 손과 팔에 해로울 수 있습니다. 무감각이나 저림, 통증 혹은 피부가 하얗게 되는 일이 발생하면, 공구 사용을 중단하고 의사와 상담하십시오.
- 익숙하지 않은 환경에서는 주의해서 진행합니다. 작업 도중 숨겨진 위험이 존재할 수 있습니다. 이 공구는 전원과 접촉 시 절연되지 않습니다.

표시 및 스티커

이 제품에는 개인 안전과 제품 유지보수에 관한 중요한 정보가 포함된 표지 및 스티커가 부착되어 있습니다. 표지 및 스티커는 언제나 읽기 쉬워야 합니다. 새로운 표지 및 스티커는 예비 부품 목록을 이용하여 주문할 수 있습니다.



s011050

기호

- 기계로 작업을 시작하기 전에 배터리 팩을 제거합니다.
- 기계를 시작하기 전에 지침을 주의하여 읽으시기 바랍니다.
- 가정용 폐기물과 함께 전동 공구 폐기하지 마십시오. 수명이 다한 전기 공구와 전자 장비는 별도로 수거하고 환경친화적인 재활용 시설에 반환해야 합니다. 재활용에 대한 조언과 수집 장소는 지방 자치 단체 또는 판매처에 문의해 주세요.
- 기계를 사용할 때 항상 고글을 착용해 주세요.
- $n_0$  로드 속도 없음.
- V 볼트 (Volt)

min<sup>-1</sup>



분당

직류

주의! 경고! 위험!

유용한 정보

원산지 국가

People's Republic of China

웹사이트

제품, 부속품, 예비 부품 및 게시된 사안에 관한 정보는 Rodcraft 웹 사이트에서 찾을 수 있습니다.

다음 자료 및 웹 사이트를 참조해 주세요.

[www.rodcraft.com](http://www.rodcraft.com).

안전 데이터 시트

안전 데이터 시트는 Rodcraft가 판매하는 화학 제품을 설명합니다.

자세한 정보는 Rodcraft 웹사이트 [qr.cp.com/sds](http://qr.cp.com/sds)를 참조하십시오.

저작권

© Copyright 2023, Desoutter GmbH, Edmund-Seng-Str. 3-5, 63477 Maintal, Germany

모든 권리 보유. 본 문서의 내용 또는 내용의 일부에 대한 비 승인된 모든 사용 또는 복사 행위는 엄격히 금지됩니다. 이는 특히, 상표, 모델 명칭, 부품 번호 및 도면에 적용됩니다. 승인된 부품만 사용하십시오. 비 인가된 부품을 사용함으로 인해 발생하는 모든 손상 또는 고장은 보증 또는 생산물 책임 범위에 포함되지 않습니다.









Original instructions  
Traduction de la notice originale  
Übersetzung der Originalbetriebsanleitung  
Traducción de las instrucciones originales  
Tradução das instruções originais  
Traduzione delle istruzioni originali  
Vertaling van oorspronkelijke instructies  
Oversættelse af originalvejledning  
Oversættelse av originalinstruksjoner.  
Käännös alkuperäisistä ohjeista  
Μετάφραση πρωτότυπων οδηγιών  
Översättning av ursprungliga instruktioner  
Перевод оригиналов инструкций  
Tłumaczenie oryginalnej instrukcji

Preklad originálnych pokynov  
Překlad původních pokynů  
Eredeti utasítások fordítása  
Prevod izvirnih navodil  
Traducerea instrucțiunilor originale  
Orijinal talimatların çevirisi  
Превод на оригиналните инструкции  
Prijevod originalnih uputa  
Originaaljuhiste tõlge  
Originalių instrukcijų vertimas  
Oriģinālo instrukciju tulkojums  
原始说明的翻译  
使用說明書初出翻譯  
원본 설명서의 번역문

[www.rodcraft.com](http://www.rodcraft.com)

**RC** **RODCRAFT**®

